

MA NUAL



795 BLADE RS

EN

CONGRATULATIONS!	
IMPORTANT INFORMATION	> 4
INTRODUCTION TO THE PRODUCT	> 4
PRE-ASSEMBLY CHECK	> 5
FULL 795 BLADE RS ROUTING	> 5
Rear derailleur hanger	> 5
Mechanical/electronic routing configuration	> 5
Routing assembly	> 5
End cap/guide liner	> 6
Hood assembly	> 8
Removable hub	> 9
Headset	> 10
EXPANDER	> 11
Expander installation	> 12
Expander removal	> 12
AEROPOST 2 SEAT POST	> 12
INTRODUCTION	> 13
Fitting of the SHIMANO battery in the seat post	> 13
Fitting the seat post to the frame	> 14
Check the seat post is inserted the minimum amount	> 14
Cut the AEROPOST 2 seat post	> 15
Adjustment of the saddle setback	> 16
BRAKE ASSEMBLY	> 17
Rear rim brakes	> 17
Rear hydraulic brakes	> 17
HYDRATION	> 18
BOTTOM BRACKET	> 18
FITTING THE WHEELS	> 19
MAINTENANCE	> 19
AFTER SALES SERVICE	> 19
GUARANTEE	> 19
	> 20

795 BLADE RS

Spare parts

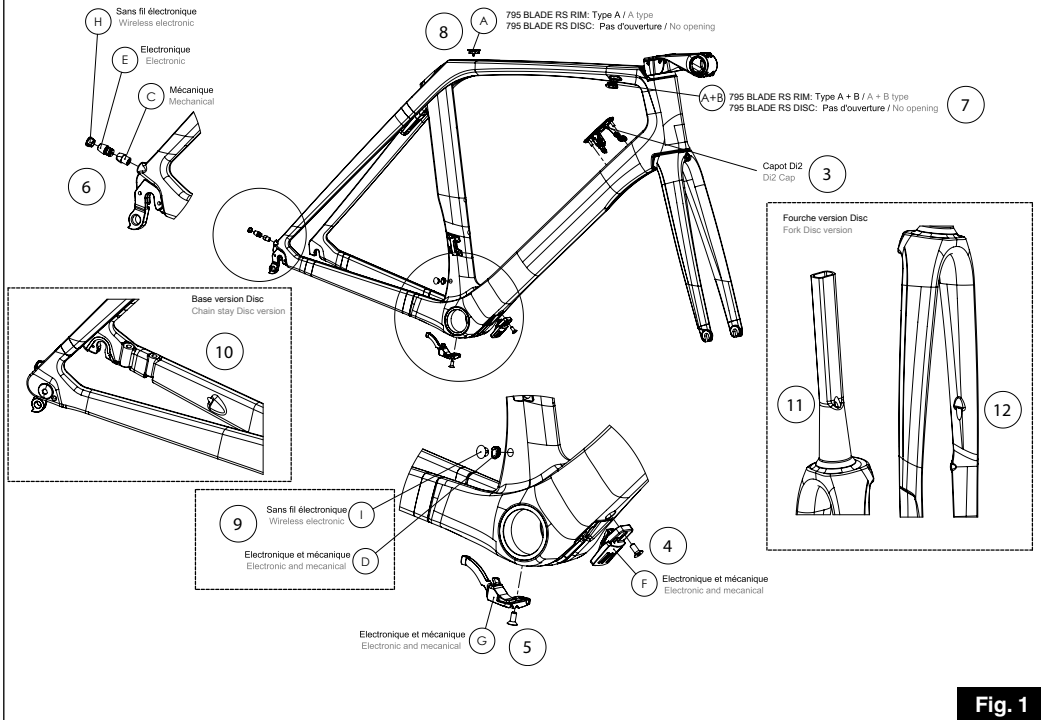


Fig. 1

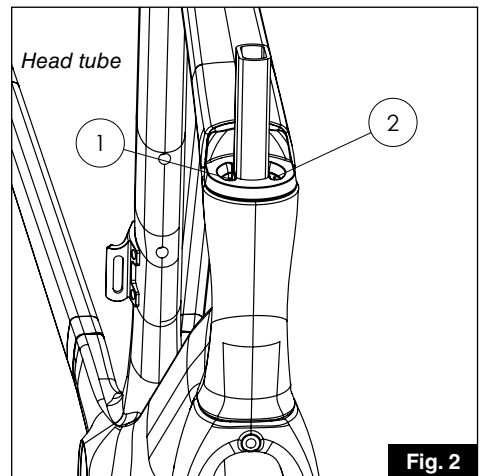
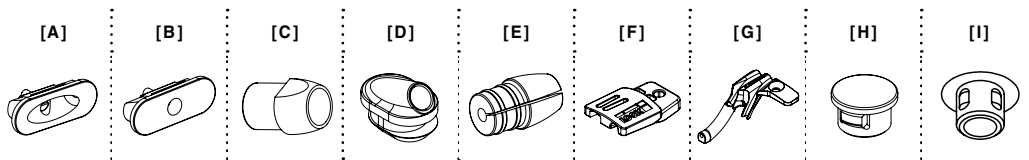


Fig. 2

MAIN ROUTING OPTIONS

CONFIGURATION A

Frame routing mechanical / rim configuration

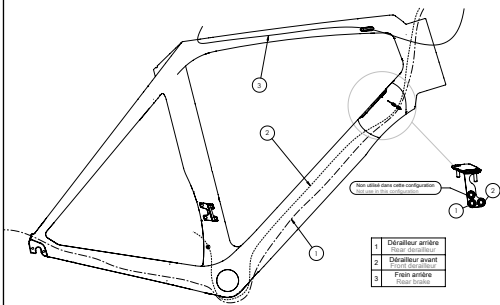


Fig. 3

CONFIGURATION B

Frame routing mechanical / disc configuration

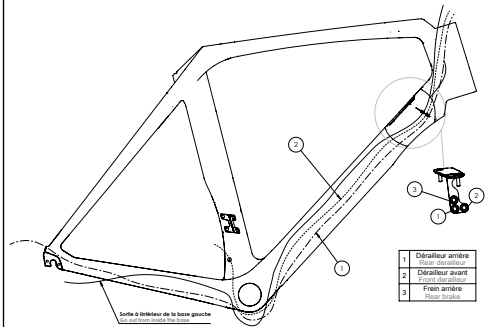


Fig. 4

CONFIGURATION C

Frame routing electronical / rim configuration

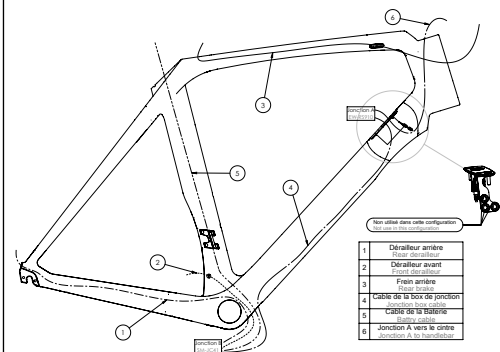


Fig. 5

CONFIGURATION D

Frame routing electronic / disc configuration

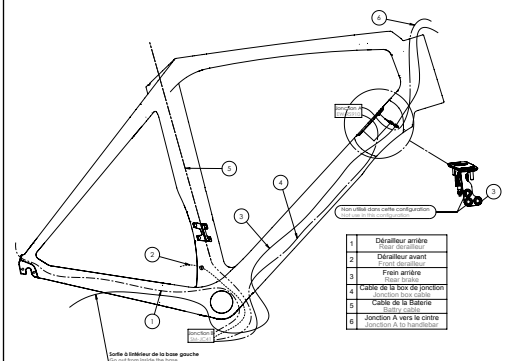


Fig. 6

- 1 Rear derailleur
- 2 Front derailleur
- 3 Rear brake
- 4 Junction A-B wire
- 5 Battery
- 6 Junction-A to handlebar

CONGRATULATIONS!

You have chosen the LOOK 795 BLADE RS.

Thank you for putting your trust in our products. By choosing this new LOOK kit, you get the advantages of a high tech, French designed product.

Your frame and its LOOK peripherals, which are identical to those provided to the big professional teams, are checked throughout their manufacture and will give you complete satisfaction.

Our products meet and, indeed, exceed the various current European and international standards.

LOOK products are protected by industrial property rights

For more information, please go to www.lookcycle.com/patents

Before first use, read the whole of the instructions. Follow all the advice given to get the full benefit of this high quality product.

For the assembly we recommend you go to an approved LOOK dealer.

LOOK reserves the right to change the product specifications with no prior notice in order to improve it.


Registering your new LOOK bike


The registration of your LOOK bike will make you one of our preferred customers and also gives you the lifetime guarantee on your frame and fork as well as other services.

For more information on the terms, special offers and coverage of the online registration, please visit our website www.lookcycle.com LOOK WARRANTY POLICY section > ONLINE PRODUCT REGISTRATION.

IMPORTANT INFORMATION

For the fitting of the AERO DESIGN STEM (ADS) and the ADH 2 handlebar, please refer to the specific instructions for those products.

 **Warning:** LOOK products are designed and optimised for use by cyclists weighing no more than 100 Kg (220.5 lbs). Road bikes are designed for use only on paved roads where the tires don't leave the ground. **Jumps are not allowed.**

 **Warning about Counterfeit Products:** The use of counterfeit products is very dangerous and may cause you, and others, to have serious falls, causing serious injury or even death.

NOTE: Your 795 BLADE RS frame is only compatible with the AERO DESIGN STEM (ADS).

For further information, please visit www.lookcycle.com LOOK WARRANTY POLICY section > COUNTERFEIT GOODS.

For further information on IMPORTANT INFORMATION, please visit www.lookcycle.com LOOK WARRANTY POLICY section > IMPORTANT INFORMATION.

If you cannot visit our site, we can provide a printed copy of our warranty policies through your dealer.

INTRODUCTION TO THE PRODUCT

Your 795 BLADE RS set has been developed and designed according to the specifications of the LOOK design office in order to offer the best transmission of force and an unequalled steering precision.

These two characteristics are possible thanks to the inclusion of components specifically designed for this frame. They are therefore perfectly compatible with each other, which allows for a more coherent whole, leading to improved performance.

The 795 BLADE RS therefore includes several world-wide and patented innovations: the 3S DESIGN (Smooth Swork Seat stays) coupled with BRIDGE LESS (brake support fixed to the frame tube) Patent No. FR1855814, guarantee the best traction due to the strut deformation management, which increases the efficiency of your 795 BLADE RS.

PRE-ASSEMBLY CHECK

Your frame is now delivered with :

- its fork and headset.
- the routing of the derailleur liners for the mounting of a mechanical groupset.
- the frame case, with the parts needed to adapt your bike to the electronic, mechanical and Wireless versions.

FULL ROUTING OF THE 795

Note: Your 795 BLADE RS frame is routed for a mechanical assembly (black liner under the bottom bracket).

Rear derailleur hanger :

When fitting the rear hanger, tighten the screws to a torque of 1 Nm. When removing and refitting, put a drop of medium threadlock (LOCTITE 243™ type) on each screw.

Routing configuration mechanical/electronic :

The 795 BLADE RS is fitted with end caps which allow either electronic or mechanical groupsets to be used. Consult your LOOK dealer for the list of compatible groupsets.



ROUTING ASSEMBLY

Open the pages for Figures 1-2 at the beginning of the leaflet and 3-4-5-6 at the end of the leaflet.

MECHANICAL ROUTING CONFIGURATION: A (RIM) AND B (HYDRAULIC)

1 / Remove the derailleur end cap (F) **be careful not to pull on the black liners.**

2 / Take two 110 cm derailleur liners, pass one liner into entrance 2 (fig. 2) and the other into entrance 1 (fig. 2). Pass the liners out of opening 4 (fig. 1), put a liner cap on the end of each liner on the bottom bracket end.

3 / Take two 110 cm derailleur liners, pass the forward derailleur liner into entrance 2 (fig. 2) and the rear derailleur liner into entrance 1 (fig. 2). Pass the liners into the support sheet according to your configuration (Fig. 3-4-5-6). Pass the liners out of opening 4 (fig. 1). Thread the two liners through the foam (long foam tube) for each of the derailleur liners at exit 4, about 7 cm from the bottom end and attach adhesive tape.

4 / Before fitting the headset, put the foam tubes (short foam tube) over the tops of the two derailleur liners.

5 / Pass the rear brake liner or hose (**see §. Hydraulic rear brake**) for hydraulic brakes or (**see § rim rear brake**) for rim brakes.

6 / Refit the end cap (F) (**see §. End cap / guide liner section**).

7 / If you route your bike for a hydraulic system, then pass the front brake hose into opening 2 (Fig. 2) then through entrance 11 (Fig. 1) and finally take it out at branch 12 (Fig. 1), if the brake caliper hose is pre-routed then pass through the hole at branch 12 (Fig.1) and out through the fork pivot opening 11 (Fig. 1) then through entrance 2 (Fig. 2). Important: Before carrying out the following steps you must fit the ADH2 handlebar (recommended) or a handlebar with a diameter of 31.8 mm and the AERO DESIGN STEM (ADS). Refer to the relevant instructions.

Important: Before carrying out the following steps you must fit the ADH2 handlebar (recommended) or a handlebar with a diameter of 31.8 mm and the AERO DESIGN STEM (ADS). Refer to the relevant instructions.

8 / Pass the rear derailleur cable from the shifter and pass it out through exit 6 (fig. 1) put the cap (C) and the liner onto the cable.

9 / Cut the liner at exit 9 (fig. 1) to about 5 cm.

10 / Pass the front derailleur cable from the shifter and pass it out through exit 9 (fig. 1) then install the liner grommet / angled exit wire (D).

11 / Finish the assembly.

Length of foam tubes in the case

Frame size	Long foam tube (x3)	Short foam tube (x3)
XS	420 mm	110 mm
S	420 mm	120 mm
M	450 mm	130 mm
L	450 mm	140 mm
XL	450 mm	150 mm

ROUTING ASSEMBLY

ELECTRONIC ROUTING CONFIGURATION: C (RIM) AND D (HYDRAULIC)

- 1 / Remove the derailleur end cap (F).
- 2 / Remove the two black mechanical routing liners by pulling on them.
- 3 / Route the electronic groupset following the SHIMANO recommendations.
- 4 / Connect the junction box (junction A) and position it on the hood see section (**see §. HOOD ASSEMBLY**).
- 5 / Pass the rear brake liner or hose (**see §. Hydraulic rear brake**) for hydraulic brakes or (**see § rim rear brake**) for rim brakes.
- 6 / Refit the end cap (F) (**see §. End cap / guide liner section**).
- 7 / If you rout your bike for a hydraulic system then pass the front brake hose through opening 2 (Fig. 2) then through entrance 11 (Fig. 1) and finally pass

it out at branch 12 (Fig. 1), if the brake caliper and its hose are pre-routed then go through the hole at branch 12 (Fig. 1) and exit through the opening of the fork pivot 11 (Fig.1) then go through entrance 2 (Fig. 2).

Important: Before carrying out the following steps you must fit the ADH2 handlebar (recommended) or a handlebar with a diameter of 31.8 mm and the AERO DESIGN STEM (ADS). Refer to the relevant instructions.

- 8 / Pass the electrical cable (E) through entrance 6 (Fig. 1).
- 9 / Pass the front derailleur electrical cable and let it out through exit 9 (Fig. 1) then install the liner grommet / electrical angled exit wire (D).
- 10 / Finish the assembly

WIRELESS ELECTRONIC ROUTING CONFIGURATION: E (RIM) AND F (HYDRAULIC)

- 1 / Remove the derailleur end cap (F).
- 2 / Remove the two black mechanical routing liners by pulling on them.
- 5 / Pass the rear brake liner (**see §. Hydraulic rear brake**) for hydraulic brakes or (**see § rim rear brake**) for rim brakes.
- 4 / Refit the end cap (F) (**see §. End cap / guide liner section**).
- 7 / If you route your bike for a hydraulic system, then pass the front brake hose into opening 2 (Fig. 2) then through entrance 11 (Fig. 1) and finally take it out at branch 12 (Fig. 1), if the brake caliper hose is pre-routed then pass through the hole at branch 12 (Fig. 1) and out through the fork pivot opening 11 (Fig.1) then through entrance 2 (Fig. 2). **Important:** Before carrying out the following steps you must fit

the ADH2 handlebar (recommended) or a handlebar with a diameter of 31.8 mm and the AERO DESIGN STEM (ADS). Refer to the relevant instructions.

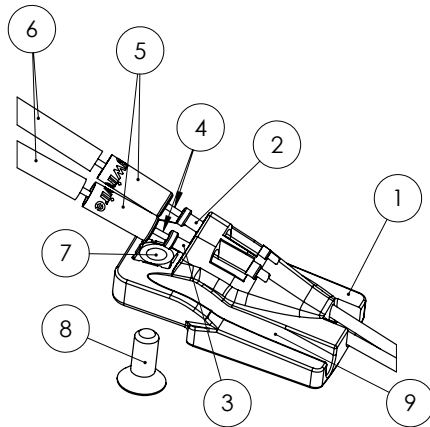
Important: Before carrying out the following steps you must fit the ADH2 handlebar (recommended) or a handlebar with a diameter of 31.8 mm and the AERO DESIGN STEM (ADS). Refer to the relevant instructions.

- 6 / Install the groupset following the manufacturer's recommendations
- 7 / Place Ø7.5 plug (H) in entrance 6 (Fig. 1).
- 8 / Place Ø8 plug (I) in exit 9 (Fig. 1)
- 9 / Finish the assembly.

END CAP

- 1 End cap
- 2 Rear derailleur liner
- 3 Front derailleur liner
- 4 Derailleur cables
- 5 End caps
- 6 Derailleur liners
- 7 M5 square nut
- 8 FHC M5x12 Screws - HEX 3mm Allen
(tighten to 2 Nm)
- 9 Passing the brake liner
(hydraulic system)

Fig. 7



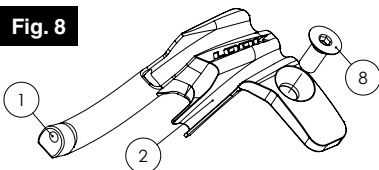
If you need to replace an end cap the procedure to use is as follows (the liner is fitted before the handlebar and the stem).

1 / Place liners 2 and 3 in the caps in their channels (Fig. 7)

2 / Place the liners with their caps (Fig. 7)

3 / Tighten the end cap using the FHC M5 x 12 screw, **make sure the liners stay properly positioned in the cap.**

Fig. 8



- 1 Passing rear derailleur liner
- 2 Passing front derailleur liner
- 8 FHC M5 screw - HEX 3mm Allen (tightening torque 2 Nm)

NOTE: the screws 8 are pre-coated with thread lock. Ensure they are not lubricated. after assembling and disassembling it a few times, it will require a drop of normal thread lock (LOCTITE 243™ type).

HOOD ASSEMBLY

For a mechanical groupset assembly, this part must remain empty and closed (Fig.9). Do not insert any food, tools or any other objects that may fall into the frame and seriously disrupt the operation of the bike.

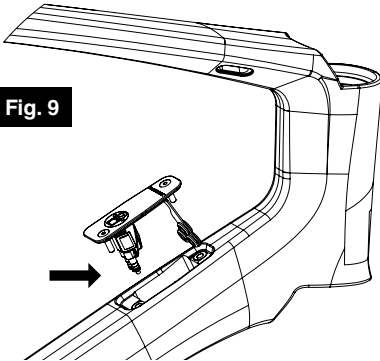
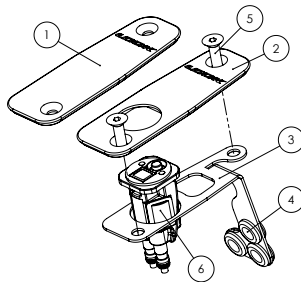


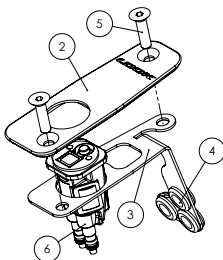
Fig. 9

- 1 Plug cover (mechanical system)
- 2 Di2 cover (electronic system)
- 3 Support sheet
- 4 Liner support (x3)
- 5 M4 (x2) 2 Nm screws - HEX 2.5mm Allen
- 6 SHIMANO box (not included)

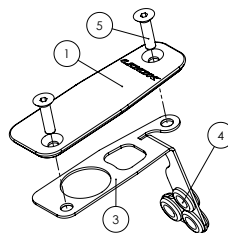
Exploded view



SHIMANO Di2 Assembly



Mechanical assembly



REMOVABLE HUB

ASSEMBLY

- 1 / Make sure that the end cap is in the open position.
- 2 / Place the cap in its housing, against the composite wall of the frame.
- 3 / Tighten the tensioner to **1 Nm** until the cap is fully seated in its housing (Fig. 10.1).

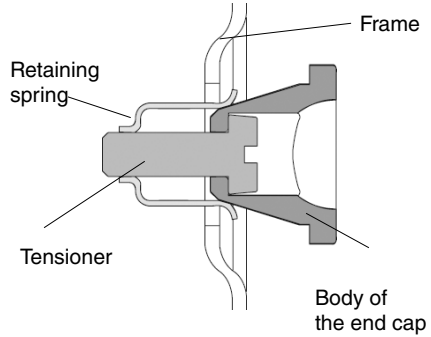


Fig. 10.1

WARNING: Excessive tightening of the tensioner can lead to damage to the screw's thread or to the retaining spring. The retaining of the cap or its release may be affected.

DISASSEMBLY

- 1 / Remove any liner that may be fitted into the end cap.
- 2 / Unscrew the tensioner until the end cap is loose.
- 3 / Remove the cap. If the cap is reluctant to come out, unscrew the tensioner some more.

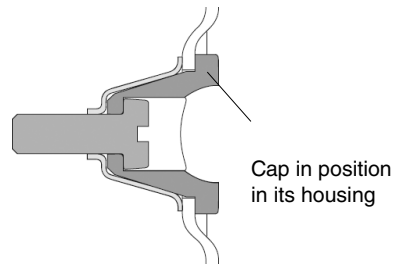


Fig. 10.2

CAUTION: The tip of the tensioner is flattened to prevent the release of the retaining spring when loosening, otherwise the tensioning spring may disengage and the threads of the tensioning spring or the tensioner may be damaged. The retaining of the cap or its release may be affected.

HEADSET

NOTE: For the complete assembly of the LOOK headset, it is highly recommended that you contact your authorised LOOK dealer.

- | | |
|---|---|
| 1 | Junction spacer |
| 2 | Compression ring |
| 3 | 1 1/2" (36° - 45°) bearing |
| 4 | Hole for the brake hose
(disc version) |

1 / Grease the upper seat of your frame and place a bearing 3 (Fig. 11) on this seat.

2 / Grease the lower seat of your frame and fork, place a bearing 3 (Fig. 11) in the frame taking care to place the outer chamfer towards the inside of the head tube then insert your fork into your frame.

3 / Lightly grease the seat of the upper bearing and slide the compression ring 2 (Fig. 11) onto the fork up to the upper bearing with the inscription "FRONT" towards the front of the bike.

4 / Slide the junction spacer 1 (Fig. 11) onto the fork, then slide it up to the compression ring 2 (Fig. 11).

5 / Move on to the assembly of the AERO DESIGN STEM (ADS), see the relevant instructions.

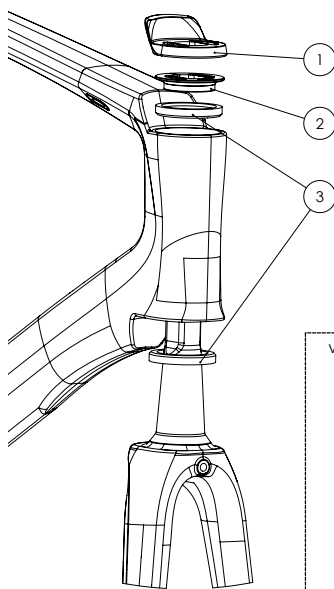
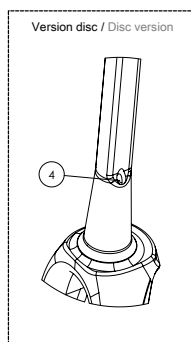


Fig. 11



EXPANDER

With your 795 BLADE RS you will find a factory assembled expander developed specifically for the 795 BLADE RS pivot.

1	Cap - HEX 6mm Allen - between 10 Nm (min) and 12 Nm (max) Grease the threads
2	Compression bolt- 5 mm Allen HEX wrench - to 8 Nm Grease the head and threads
3	Upper cone
4	Locking rim (x2)
5	O ring
6	Lower cone - Grease the internal threads

EXPANDER INSTALLATION

1 / Ensure the steerer tube is correctly cut, 5mm below the contact surface of the expander (Fig.13). If the steerer tube is not cut, this surface will rest on the top of the spacer. Please note that if using a spacer, you must ensure it is perfectly fitted in the stem to avoid any play (see ADS stem manual).

2 / Degrease the inside of the steerer tube (with isopropyl alcohol) around the entire area the expander will fit into. Do not add any additional lubricant or grease.

3 / Loosen locking screw 2 (Fig. 12), so that the expander can be slid into the fork pivot without having to force it. Before inserting the expander into the steerer tube, ensure the cap screw is screwed in 3 full turns. The thread will fit into the cone (3), with room remaining to compress the headset.

4 / Lightly screw the expander into the steerer tube by tightening the locking screw (2) (Fig.12).

5 / Disassemble the top cap 1 (Fig.12) of the expander.

6 / Using a torque wrench with a 5mm Allen head, tighten the compression bolt 2 (Fig.12) to **8 Nm**.

7 / Grease the thread and underside of the cap (1) before replacing it (Fig.12).

8 / Adjust the play in the headset by tightening the cap 1 (Fig.12) using a torque wrench with a 6mm Allen head. **Ensure it is tightened to a torque between 10Nm (min) and 12Nm (max).**

9 / To check if the play is correctly adjusted,

9.1 Tighten the rear stem screws to a torque of 8Nm (see stem manual).

9.2 Check for play in the headset.

9.3 If there is still play, go over the assembly steps again.

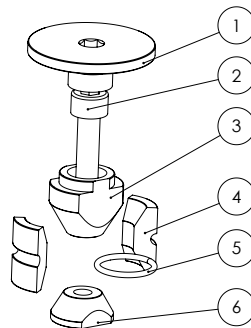


Fig. 12

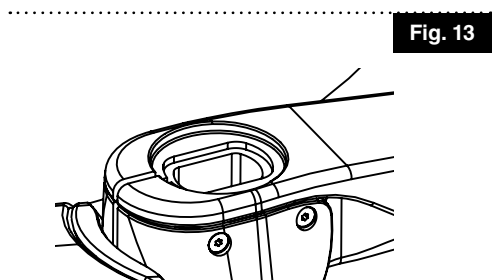


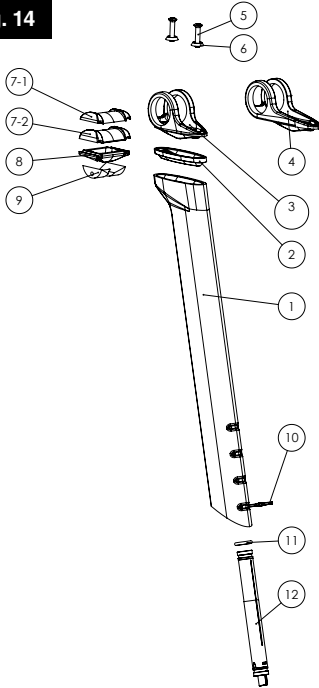
Fig. 13

EXPANDER REMOVAL

1 / Unscrew locking screw 2 (Fig. 12) so that the expander can be removed from the fork.

When performing routine maintenance, disassemble the expander, clean it, and then reassemble using the lubrication recommendations in the preceding table.

AEROPOST 2 SEAT POST

Fig. 14


1	AEROPOST 2 tube
2	Comfort elastomer
3	Short offset head
4	Long offset head (optional)
5	Head fixing screw (x2) - TORX T25 - 4 Nm + LOCTITE 243™
6	Domed washer for screws (x2)
7-1	Upper support (for round saddle rails)
7-2	Upper support (for oval saddle rails)
8	Lower support
9	Lower flange and screws - HEX 4 mm Allen - 6 Nm + grease
10	Plastic battery bracket
11	O ring
12	Battery (not supplied in the kit)

The AEROPOST 2 system includes an elastomeric ring that helps filter road vibrations and provides the saddle with some give, increasing cycling comfort.

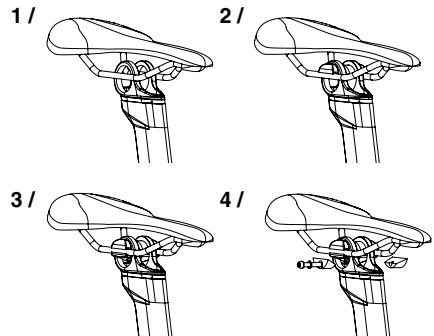
FITTING the saddle onto the seat post

1 / Place the saddle on the head of the AEROPOST 2

2 / Insert the upper bracket bearing the logo "Ø7" (Fig. 15) if you want to use a Ø7 round rail saddle or the bracket marked "Ø OVERSIZE" (Fig. 15) for an oval rail saddle.

3 / Then insert the lower bracket 8 (Fig. 15) under the saddle rails.

4 / join the two lower flanges and tighten previously greased screw 10 (Fig. 15) to the indicated torque of 6 Nm when your saddle is correctly positioned

Fig. 15


AEROPOST 2 SEAT POST

IMPORTANT: Your AEROPOST 2 seat post is not compatible with oval rail saddles with rails taller than 9.6mm.

REMOVAL of the saddle

To remove the saddle, or to adjust its position: unscrew by a few turns the lower flanges' screw. Apply a slight force to the front and back of the saddle alternately to loosen the flanges on the seat post. If they do not loosen because of heavy tightening, use a small hammer and lightly hit the head of the screw still held by several thread turns to push the opposite corner.

FITTING of the SHIMANO battery in the seat post

For the electronic system, you should mount the SHIMANO battery in the seat post as follows:

- 1 / Fit the O ring 11 (Fig. 14) onto battery 12 (Fig. 14) at its recess (on the rear).
- 2 / slide battery 12 (Fig. 14) into the seat post 1 (Fig. 14).
- 3 / Take the plastic collar and place it around the notch of the battery and the seat post.

WARNING: The clip of the plastic collar must be inside the seat post, no part of this collar must extend beyond the outer edge of the post, it must never interfere with the insertion of the seat post into the frame.

FITTING the seat post onto the frame

Tightening

1 / Make sure that the collet is in the closed position, that is to say that parts 1 and 2 (Fig. 17) are in contact.

2 / Place the collet in the frame so that the collet lugs fit into the notches in the frame provided for them and that the collet is properly fitted into the hole in the frame.

WARNING: Check that the saddle tube is not in contact with the upper bottle insert. If it is, cut the saddle tube (see §. Cutting the AEROPOST 2 seat post).

4 / Tighten the seat post using the collet with a torque wrench tightening it to **10 Nm**.

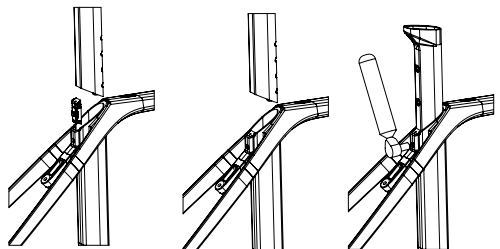


Fig. 16

AEROPOST 2 SEAT POST

With your 795 BLADE RS you will find a factory assembled expander developed specifically for the 795 BLADE RS pivot.

1	Rear flange
2	Front flange
3	Fixing screw – HEX 4 mm Allen - 10 Nm + grease
4	O ring
5	Washer

NOTE : If there is any noise when tightening or loosening, you should grease it again.

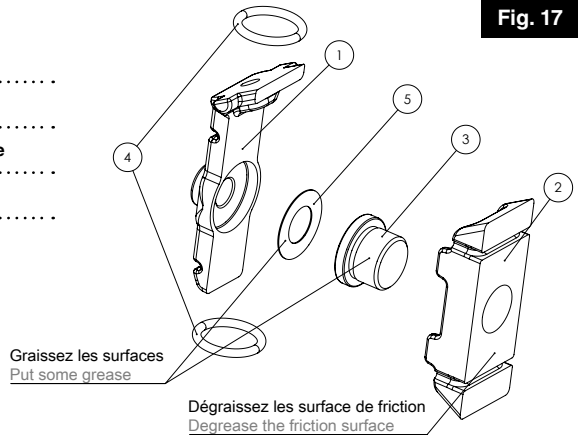


Fig. 17

Loosening / Position adjustment

To disassemble or adjust your AEROPOST 2, unscrew the clamp so that you can slide your seat post without damaging it, then adjust the position or remove the seat post to disassemble it.

Check the seat post is inserted the minimum amount

IMPORTANT: Take care to ensure the minimum insertion of the seat post in the frame, do this as follows.

1 / Take a 2 mm Allen key and insert it into the hole located in the saddle tube (Fig. 19)

OK = Allen key is in contact with the seat post. You have met the minimum insertion requirement

NOK = The Allen key is going into the tube and is not in contact with the seat post. You have not met the minimum insertion requirement

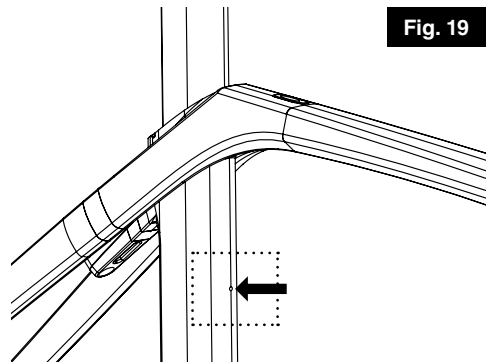


Fig. 19

AEROPOST 2 SEAT POST

Cutting the AEROPOST 2 seat post

IMPORTANT: Before cutting your seat post, check that the minimum insertion is has been met.

Your AEROPOST 2 seat post gives you the option to cut it according to the cutting instructions marked on your seat post (Fig. 18-1), be sure to protect the surfaces of your seat post to avoid damaging them during the cutting. Use a cutting tool with a blade for carbon fibre.

Check before cutting:

There must be at least 140 mm between the cut line and your set position (Fig. 18-2).

1 / Fit your seat post and set the saddle height you want, lock your seat post.

2 / Note the excess length using the graduated marks on the front part of the seat post.

3 / Remove your seat post and measure the desired cutting line to the graduated mark matching your seat excess length. If this length is less than 140 mm, you must cut on the mark below the chosen one.

Fig. 18-1

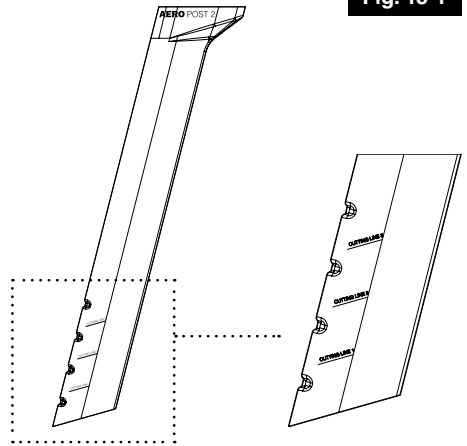
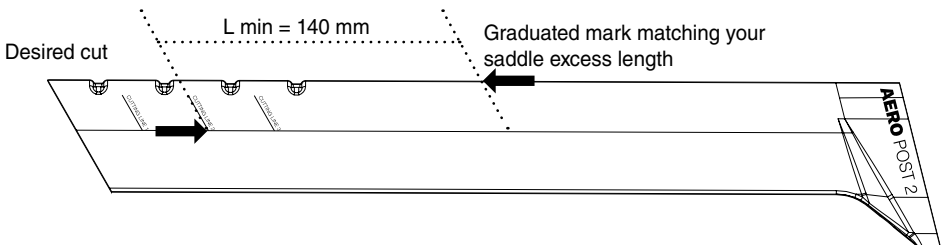


Fig. 18-2



AEROPOST 2 SEAT POST

Adjustment of the saddle setback

The AEROPOST 2 comes fitted with a rearward facing short offset head. If required, you can turn this part to the front or use the long offset version (not supplied with the bike). To adjust the saddle setback:

1 / remove your saddle from the seat post (see § **Removing the saddle**).

2 / Remove the two fixing screws 5 and the washers 6 (Fig. 20), then remove the head 3 or 4 (Fig. 20).

3 / Position the head in the desired direction.

4 / Replace the two washers 6 and the two screws 5 adding a drop of **LOCTITE 243™** threadlock, tighten them to a torque of **4 Nm**.

5 / refit your saddle onto the seat post (see § **Saddle assembly**).

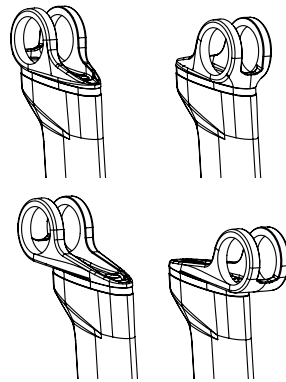


Fig. 20

BRAKE ASSEMBLY

Rear rim brakes

IMPORTANT: For the front brake, as for the rear brake, it is recommended you use the liners supplied. The use of another type of liner (especially aluminium bead liners, or "more rigid" double-walled liners is not recommended).

Assembly instructions :

1 / Remove the removable end cap (A) 8 (Fig. 1).

2 / Pass the rear brake liner from the right (EU) or left (UK) lever to the removable cap (A) of entrance 7 (Fig. 1) (swap caps (A) and (B) for UK routing). Place a liner cap, if your cap has an integrated liner remove it. Make sure the liner supplied is well seated in its end cap (A).

3 / Thread the rear brake cable and take it out through exit 8 (Fig. 1). Thread the removable end cap (A) onto the cable at exit 8 (Fig. 1) and fix it there.

4 / Place a second piece of the liner with a liner cap in the removable end cap (A) at exit 8 (Fig. 1) up to the previously fitted rear brake.

BRAKE ASSEMBLY

Rear hydraulic brakes

IMPORTANT: There are two assembly options, the first is an assembly in which the hose is not connected to the caliper, whereas in the second the hose is pre-connected to the caliper.

NOTE: Your bike in the disc version is provided with 140/160 mm FLAT MOUNT standard compatible fixing front and rear. The thickness of the base at the fixing of the rear caliper is 25 mm.

Hose not connected:

1 / Pass the rear brake hose through entrance 1 (Fig. 2), then pass it through the support plate (Fig. 21), take the hose out through opening 4 (Fig. 1).

2 / Pass a foam sheath (long foam tube) onto the hose at its exit through exit 4 (Fig. 1) until it touches with the support sheet and fix it with adhesive tape.

3 / Pass the hose along the routing channel (Fig. 21), then enter it through opening 5 bis (Fig. 21).

4 / Exit the hose through exit 10 (Fig. 1).

5 / Thread a short foam tube **on the brake hose at the top of the bushing (see § Table of lengths in chapter Mechanical routing configuration: A (RIM) and B (HYDRAULIC).**

6 / Connect the hose to the caliper.

Hose pre-connected:

1 / Pass the rear brake hose through entrance 10 (Fig. 1), then take the hose out through opening 5 bis (Fig. 21).

2 / Pass a foam sheath (long foam tube) onto the hose at its exit through exit 4 (Fig.1) until it touches the support sheet then fix it with adhesive tape.

3 / Pass the hose along the routing channel (Fig. 21), then enter it through opening 4 (Fig. 21).

4 / Exit the hose through exit 2 (Fig. 2)

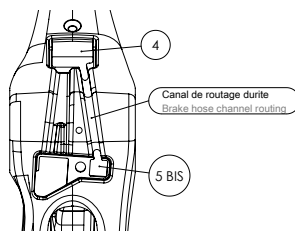


Fig. 21

HYDRATION

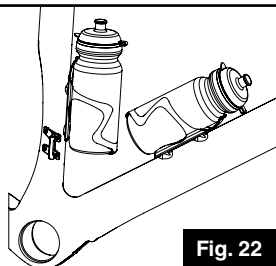


Fig. 22

Your 795 BLADE RS is equipped with fixings to attach two bottle holders, one on the saddle tube and one on the diagonal tube (Fig. 22).

Remove the four M5 screws with a 4 mm Allen key. Fit the bottle holders (refer to the relevant product manual), then tighten the screws to a torque of **3 Nm**.

WARNING: Use only the original screws.

BOTTOM BRACKET

Your bottom bracket is a PF 386 standard one, which is 86.5 mm long and has a housing diameter of 46 mm.

IMPORTANT: For optimal operation LOOK recommends the fitting of a TOKEN box suited to the standard of your crankset, it is strongly recommended you go to your nearest LOOK dealer for more of information.

MAINTENANCE

Checking and maintenance are important for your safety and the useful life of your product.

Poorly maintained bikes and components can break or malfunction, which could lead to an accident in which you could be killed, seriously injured or paralysed.

For further information on maintenance requirements, please visit www.lookcycle.com LOOK WARRANTY POLICY section > MAINTENANCE.

FITTING THE WHEELS

Follow the manufacturer's assembly instructions. Our fork legs are designed with safety lugs. Removing the safety lugs entails a significant risk to the bike's safety that could cause a sudden and catastrophic failure, resulting in loss of control leading to serious injury or death.

The 795 BLADE RS in rim version is designed to accept wheels with tyre sizes up to 700x28C (metric measurement) and for the disc version the maximum diameter is 700x30C (metric measurement).

The standard for fixing disc brake wheels uses traversing axles of MAVIC SPEED RELEASE type: 100mm D12-M12x2-P1 double lead thread thru for the front wheel and 142mm D12-M12x2-p1 double lead thread thru for the rear wheel. The MAVIC SPEED RELEASE READY axles are delivered with the frame or the bike. We recommend tightening this axle to 9 Nm and lightly greasing the axle thread.

AFTER SALES SERVICE

In spite of all the care we take during manufacture, if a defect appears or if a repair is necessary, contact your authorized LOOK dealer taking the defective product to them with your purchase receipt and tell them about the malfunction.

GUARANTEE

Statutory guarantee

LOOK, through its authorised agents and distributors in the country in which the product was purchased, guarantees its bicycles/frames against faults and hidden defects (1) for a period of two years (2) from the date of purchase.

(1) Hidden defects are only covered under French law. § 1641 to 1649 of the civil code.

(2) Some countries or states allow a longer time limit for an implicit warranty, and/or for the exclusion or limitation of direct or consecutive damages which implies that the limit described above would not apply. This limited warranty gives you specific legal rights, but possibly other rights too, which vary according to local legislation.

For further information on maintenance requirements, please visit www.lookcycle.com LOOK WARRANTY POLICY section > LEGAL WARRANTY.

Lifetime guarantee

The quality and reliability of our products that we oversee from design to marketing allow us, through our agents and authorised distributors, to offer you, in addition to the legally required guarantees, a free lifetime warranty on LOOK bike frames and forks.

For further information on maintenance requirements, please visit www.lookcycle.com LOOK WARRANTY POLICY section > LIFETIME FRAME WARRANTY.

Ref. : 00021957

lookcycle.com