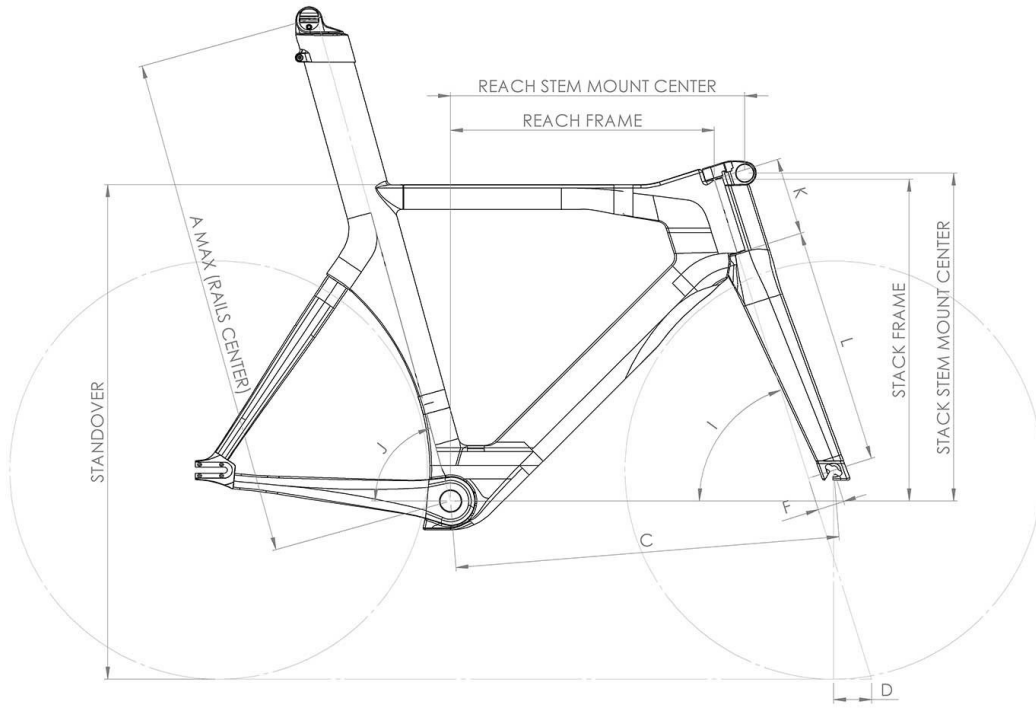


895 VITESSE - FRAMESET - GEOMETRY



	XXS-XS	S	M	L
Stack	486	503	520	537
Reach	359	393	427	461
I - Head tube (°)	72.5	72.5	72.5	72.5
J - Seat post (°)	74.5	74.5	74.5	74.5
A - Seat post	468.5	764	810	840
B - Top Tube horizontal	493.7	532.5	571.2	609.9
C - Front Center	544	583.2	622.1	650.6
D - Trail	61.5	61.5	61.5	70.9
F - Fork offset	43	43	43	34
G - Chainstays	380	380	380	380
K - Head tube	89.5	107.3	125.1	142.9
L - Fork	379.5	379.5	379.5	379.5
HAV	50	50	50	50
Standover	746.6	758.3	799.5	828.4