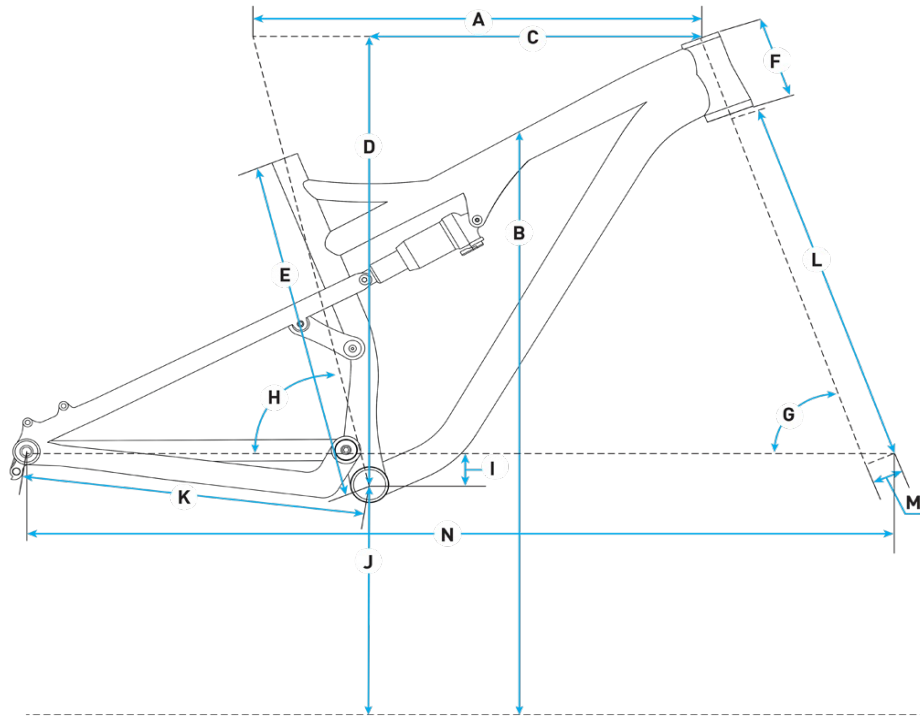


## 2022 Salsa Spearfish SLX Geometry Chart



Size	SM	MD	LG	XL	SM
A. Effective Top Tube	592 / 591	614 / 613	635 / 634	657 / 656	593 / 592
B. Stand Over	737 / 739	737 / 739	737 / 739	737 / 739	742 / 744
C. Reach	428 / 430	446 / 449	465 / 468	484 / 487	423 / 425
D. Stack	604 / 603	613 / 612	622 / 621	632 / 630	608 / 606
E. Total Seat Tube Length	406	444	483	520	406
F. Headtube Length	103	113	123	133	103
G. Headtube Angle	68.3 / 68.5	68.3 / 68.5	68.3 / 68.5	68.3	67.8 / 68.0
H. Seat Tube Angle	74.8 / 75.0	74.8 / 75.0	74.8 / 75.0	74.8	74.3 / 74.5
I. BB Drop	43 / 40	43 / 40	43 / 40	43 / 40	39 / 36
K. Chainstay Length	433 / 432	433 / 432	433 / 432	433 / 432	433 / 432
L. Fork Length Axle to Crown	521	521	521	521	531
M. Fork Offset	51	51	51	51	51
N. Wheelbase	1137	1160	1182	1205	1140
Crank Arm Length	170	170	175	175	170
Handlebar Width	760mm	800mm	800mm	800mm	760mm
Recommended Rider Height	165cm◆173cm	173cm◆180cm	180cm◆188cm	188cm◆UP	165cm◆173cm
Stem Length	50	50	50	50	50

Measurements based on:

- An unsprung bike (no sag)

- An average 120mm 29/27.5+ suspension fork at 25% sag
- Aa 29 x 2.35" tire measuring 744mm in diameter
- Standover is measured from vertically from ground to bend in top tube, subtract 2-8mm (0.1-0.3") for 27.5 x 2.8-3.0 tires