

Speedmachine

Sizing Guide

Table of content

Introduction	5
Sizing and parts selection	5
Positioning	5
Frame geometry	6
General frame geometry	6
Sizing table summary	6
How to measure your current position	7
With your current bike	7
Fit coordinates	8
Frame size and cockpit configuration	8
Profile Design options	9
Custom options	9
Frame size, Base bar, Tilt, Stack and Reach	10
1. Tilt selection	10
2. Stack and Reach tables - Tilt 0°	11
2. Stack and Reach tables - Tilt 5°	12
2. Stack and Reach tables - Tilt 10°	13
2. Stack and Reach tables - Tilt 15°	14
3. Width and final armrest pads positions	15
4. Seat post hardware position	16

Introduction

The Speedmachine represents the pinnacle of functional integration, aerodynamic form and rider-focused fit. By patiently following these guidelines, the content of this manual will lead to properly fitting and functioning equipment with a high-performance, Swiss Engineered aesthetic.

BMC Speedmachine frame and components are designed as a system to provide a very high level of aerodynamics and riding performance. Adjustability was not in any way compromised and the Speedmachine offers the highest adjustment possibility ever built into a fully integrated triathlon or time trial bicycle.

Adjustability being a key part of the system's performance, it is necessary to understand that most components of the frameset have been designed specifically for speedmachine and their function may slightly differ from your traditional road bike "off the shelf" components.

BMC speedmachine uses all the latest and most high-end technologies that can be found in bicycle manufacturing, including sharp edged and thin-walled carbon fiber composite construction, which should be treated with delicacy from the end user to prevent permanent and sometimes invisible damage.

For the reasons mentioned above, we ask you to carefully follow the instructions provided in this manual.

Incorrect mechanical operation on your bicycle could lead to serious damage, which could cause you to fall and lead to injury or death.

If you do not have the appropriate tools or experience to execute the following instructions, or if you need further information, please contact your official BMC dealer for service of your bicycle.

⚠ WARNING: This guide is not an assembly manual – it is solely intended for identifying which configurations can match a given position.

Please refer to the SPEEDMACHINE Gen1 Owners Manual for all assembly instructions.

Sizing and parts selection

Positioning

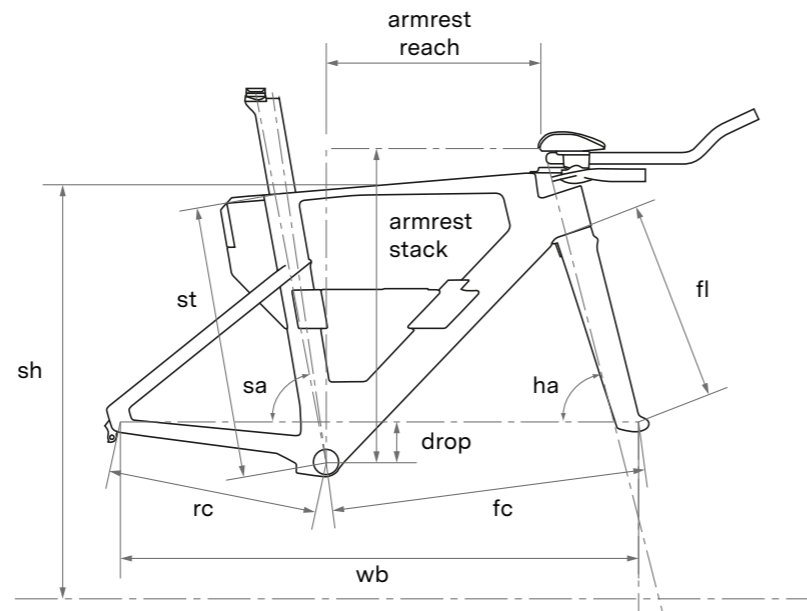
A bicycle rider will only perform at his best if he is correctly positioned on his bike, especially for triathlon and time trial competitions.

The following instructions are simple guidelines to help you decide which size and which extension configuration to choose in order to reach a given handlebar position. We do not in any way provide you with a fitting tool, those instructions can only help you once your position is defined. If you wish to change the position from your previous bike or if the speedmachine will be your first triathlon or time trial bike, we highly recommend you to visit a professional fitting expert.

Many different handlebar types and shapes are available on the market and it is not possible for BMC to guarantee accurate positioning for all of them. The base bar, arm-rest set, extensions and seat post provided with the speedmachine complete bikes and modules were carefully selected to offer the highest adjustment possibilities in a light, reliable and user-friendly package. Therefore we suggest you start by using the original speedmachine components and carefully follow the instructions. Then, multiple customization options are described later in this manual.

Frame geometry

General frame geometry



Size	S	M	L
Rider Height cm	<174	172-185	>180
Armrest Stack (stack)	558-650	586-678	628-720
Armrest Reach (reach)	348-467	368-487	395-514
Seat Tube (st)	460	525	551
Seat Tube Angle ° (sa)	80°	80°	82,4°
Rear Center (rc)	405	405	405
Front Center (fc)	578	606	646
Wheelbase (wb)	974	1000	1040
BB drop (drop)	62	72	72
Fork Length (fl)	391	391	392
Standover Height (sh)	766	806	837

I INFORMATION: Values communicated are for the Flat Base bar and consider all variations of tilt.

Sizing table summary

This table regroup every adjustment range available by frame size.

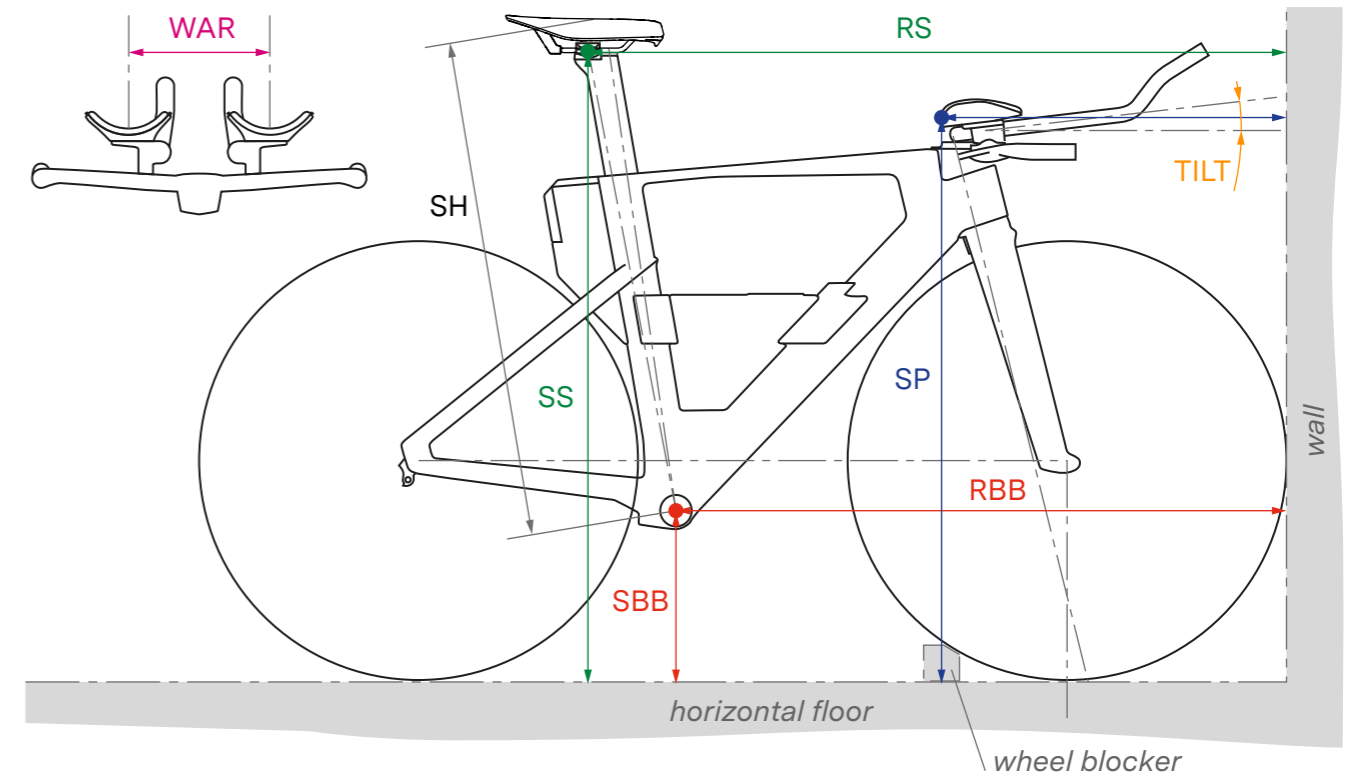
I INFORMATION: This sizing method do not integrate the tilt adjustment offered by the Profile Design Aeria. We are starting with a “0° setup” and the tilt adjustment can be applied later.

	S	M	L	
Rider size (Recommended, theoretical)	< 174	172 185	> 180	
Saddle height (theoretical)	< 725	715 782	> 755	
Saddle height range (uncut seatpost)	610 740	705 835	761 891	
Saddle height min (cut seatpost)	575	640	666	
Flat base bar	Armrest stack	558 650	586 678	628 720
	Armrest reach	348 467	368 487	395 514
Low base bar	Armrest stack	525 617	553 645	595 687
	Armrest reach	383 502	403 522	430 549

How to measure your current position

With your current bike

In the best scenario, you already have a bike adjusted to your desired position. If there is any doubt for you regarding which position you should use, we highly recommend you to visit a professional bike fitting expert, who will be able to give you the required data.



To take those measurements, the easiest way is to place your bike on a even, horizontal floor and lean it in a corner of a room so the bike is parallel to a wall and the front wheel against the perpendicular wall of your room corner.

All values for Pad X are given to the rear of the armrest pad.

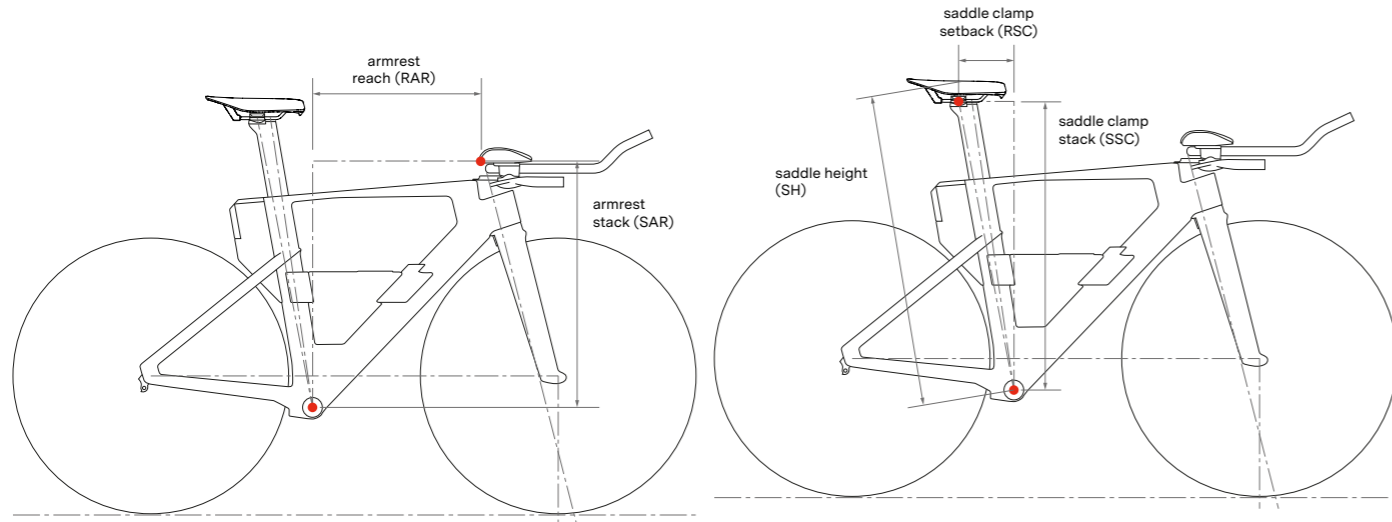
Values for Pad Stack and Reach include the cushion.

Take the following measurements:

- Vertical distance from the floor to the BB axle center (SBB).....
- Horizontal distance from the front wall to the BB axle center (RBB).....
- Vertical distance from the floor to the back of your pads (SP).....
- Horizontal distance from the front wall to the back of your pads (RP).....
- Vertical distance from the floor to the center of the saddle clamp (SS).....
- Horizontal distance from the front wall to the center of the saddle clamp (RS).....
- Distance from saddle top to the BB axle center (SH).....
- Armrest/extensions tilt (TILT).....

Fit coordinates

You can extract the final fit coordinates from the previous paragraph or from a bike fitting report.



	Measured distance		Measured distance		Final measurements	
	Contact Point		Bottom Bracket			
Armrest/extensions tilt					TILT
Armrest pad reach	RBB	-	RP	=	RAR
Armrest pad stack	SP	-	SBB	=	SAR
Armrest Width value					WAR
Saddle height					SH
Saddle clamp stack	SS	-	SBB	=	SSC
Saddle clamp reach	RS	-	RBB	=	RSC

Frame size and cockpit configuration

⚠ WARNING: This sizing process is a starting point using your current fit coordinates. Please always consider the help of a professional bike fitter to get yourself fitted onto the Speedmachine.

ℹ INFORMATION: The sizing guide starts with components initially delivered with your bike or module. If your current fit coordinates are not matching the adjustment ranges offered by the initial specifications it continues by suggesting components that are optional and available through our after-market program.

ℹ INFORMATION: Even with the best range of stack and reach adjustment, the Speedmachine may not be able to cover some extreme fit coordinates. You always have the possibilities to get the bike to fit yours using after-market customized cockpit solutions that would be assembled on the Speedmachine Base bar.

ℹ INFORMATION: The cockpit must comply with Profile Design Aeria 3 interface.

⚠ WARNING: You always must check compatibility and safety with the cockpit manufacturer.

Profile Design options

Profile Design offers a wide range of compatible parts to tune your cockpit setup to your needs.

You can find the latest product information on www.profile-design.com.

Extensions	Description	Part Number
43ASC-340	Shaped aero carbon extensions, 340mm long	ACASC43EXT340
43ASC-400	Shaped aero carbon extensions, 400mm long	ACASC43EXT400
50SLC	50deg carbon extension, designed for low weight	ACSLC50EXT400
35SLC	35deg carbon extension, designed for low weight	ACSLC35EXT400
43SLC	43deg carbon extension, designed for low weight	ACSLC43EXT400
4525SLC	25deg carbon extension, designed for low weight	Stock part
52a	52deg alloy extensions	AC52EXT400
39a	39deg alloy extensions	AC39EXT400
26a	26deg alloy extensions	AC26EXT400

Armrests	Description	Part Number
Race+	A tighter cup for riders that like to feel locked in	ACMRCKT1
Ergo+	A highly adjustable armrest intended for comfort	Stock part

Armpads	Description	Part Number
10mm	A high density pad with a grooved surface for grip and water dispersion	Stock part
15-10mm	Adds 5mm under the elbow with a taper to 10mm sides	ACMER105PAD
10-5mm	10mm under the elbow with 5mm on the sides for comfort on the Race+ armrest	ACMER1510PAD

Brackets	Description	Part Number
A2 Race	A lighter, smaller platform bracket with less adjustment than the standard model	ACARARBRKT
A2 Standard	A highly adjustable bracket offering a wide range of pad positions and 15deg of tilt	Stock part

Risers	Description	Part Number
A3A Low	5-35mm of spacers, no bridge required	ACA3ALRSKT
A3A High	40-65mm of spacers with a 5mm bridge. Bridge is not UCI legal	ACA3AHRSKT
A3C High	Required for UCI legal racing, features an integrated carbon bridge	ACA3CHRSKT

Custom options

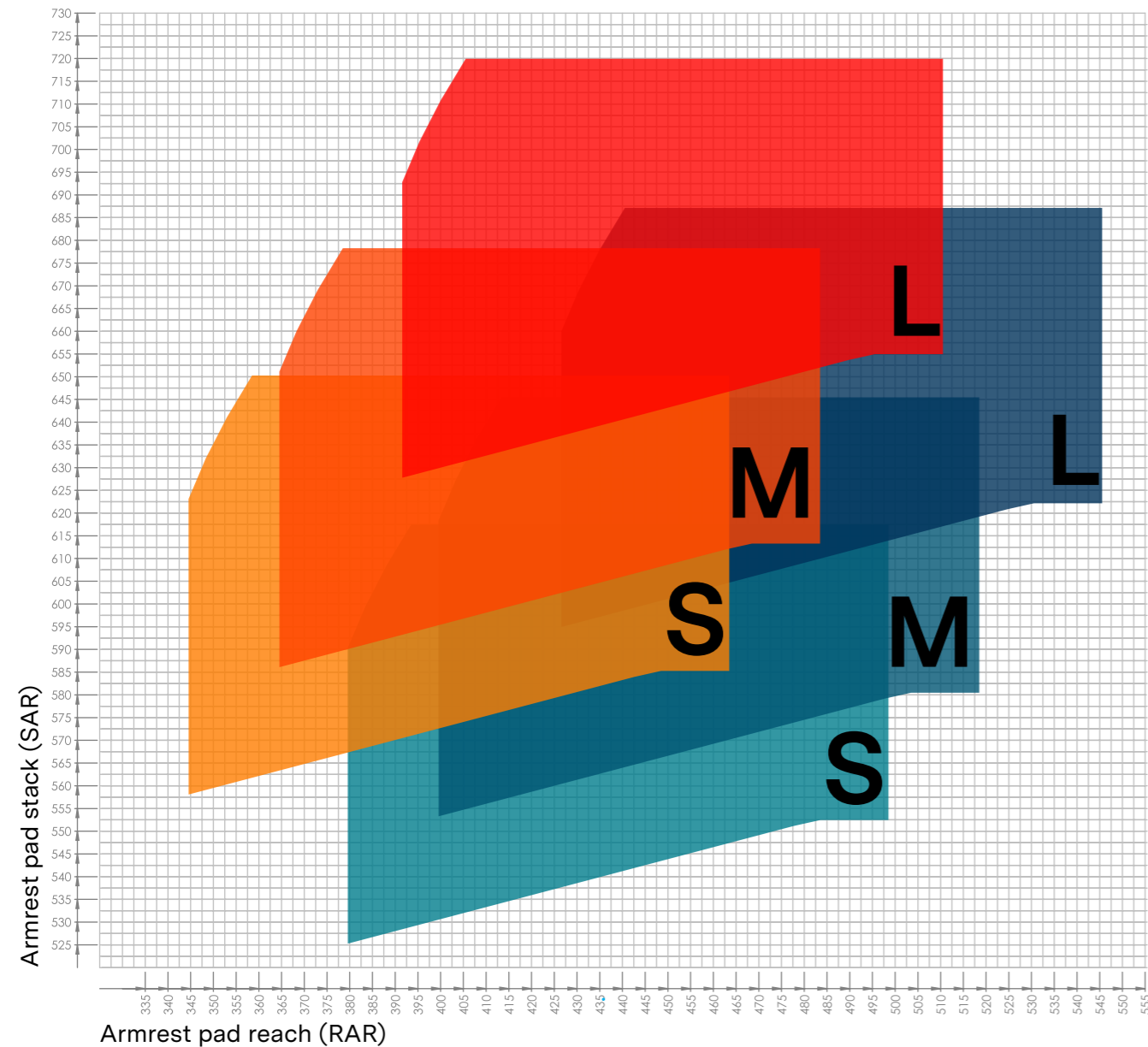
As the Speedmachine Base bar complies with Profile Design Aeria 3 interface, you could opt for a full customized solution.

Here are some existing custom cockpit manufacturers (not limited to this list).

- UNIQO CUSTOM BIKES www.uniqocustombikes.com
- WATTSHOP www.shopforwatts.co.uk
- SWISS SIDE www.swisside.com
- AEROCOACH www.aero-coach.co.uk
- FAST TT www.fasttt.bike

Frame size, Base bar, Tilt, Stack and Reach

For a quick selection of your Frame and Base bar, you can use your SAR and RAR values and report them on the Speedmachine Stack Pad and Reach Pad graphic bellow.



For a detailed configuration, we will find the matching Speedmachine setup using the following steps:

1. Lookup for your tilt
- 2A. Use your Armrest Stack value (SAR) and find your [Base bar type](#) and [Reach Pad position](#).
- 2B. Use your Armrest Reach value (RAR) and find your [Stack Pad position](#).
3. Use your Armrest Width value (WAR) and find your Width pad setup and position
4. Use your Saddle Clamp values (SSC and RSC) and find your saddle clamp setup.

1. Tilt selection

Tilt could be adjusted to every degree of precision. To make your setup process easier, we have simplified the tilt selection to 0°, 5°, 10° and 15°.

Select the nearest tilt value and go to the appropriate page:

- 0° go to page "Tilt 0°", page 12
- 5° go to page "Tilt 5°", page 14
- 10° go to page "Tilt 10°", page 16
- 15° go to page "Tilt 15°", page 18

2. Stack and Reach tables - Tilt 0°

2A. Reach: select the closest Reach value (RAR) from the table and note *Base bar type* and the *Reach Pad position*.

Frame	Base bar										
S	Flat	359 ¹	374 ²	389 ³	404 ⁴	419 ⁵	434 ⁶	449 ⁷	464 ⁸		
M	Flat		379 ¹	394 ²	409 ³	424 ⁴	439 ⁵	454 ⁶	469 ⁷	484 ⁸	
L	Flat			406 ¹	421 ²	436 ³	451 ⁴	466 ⁵	481 ⁶	496 ⁷	511 ⁸
S	Low		394 ¹	409 ²	424 ³	439 ⁴	454 ⁵	469 ⁶	484 ⁷	499 ⁸	
M	Low		414 ¹	429 ²	444 ³	459 ⁴	474 ⁵	489 ⁶	504 ⁷	519 ⁸	
L	Low			441 ¹	456 ²	471 ³	486 ⁴	501 ⁵	516 ⁶	531 ⁷	546 ⁸

2B. Stack: select the closest Stack value (SAR) from the different frame size tables using the *Base bar type* and the *Reach Pad position* and note the *Stack Pad position*.

frame size S		Reach Pad position								
Flat	Low	Stack Pad position	1	2	3	4	5	6	7	8
			0mm	15mm	30mm	45mm	60mm	75mm	90mm	105mm
		1	0mm	552	552	552	552	552	552	552
		2	5mm	557	557	557	557	557	557	557
		3	10mm	562	562	562	562	562	562	562
		4	15mm	567	567	567	567	567	567	567
		5	20mm	572	572	572	572	572	572	572
		6	25mm	577	577	577	577	577	577	577
		7	30mm	582	582	582	582	582	582	582
1	0mm	8	35mm	585	585	585	585	585	585	585
2	5mm	9	40mm	587	587	587	587	587	587	587
3	10mm	10	45mm	590	590	590	590	590	590	590
4	15mm	11	50mm	592	592	592	592	592	592	592
5	20mm	12	55mm	595	595	595	595	595	595	595
6	25mm	13	60mm	597	597	597	597	597	597	597
7	30mm	14	65mm	600	600	600	600	600	600	600
8	35mm			602	602	602	602	602	602	602
9	40mm			605	605	605	605	605	605	605
10	45mm			607	607	607	607	607	607	607
11	50mm			610	610	610	610	610	610	610
12	55mm			612	612	612	612	612	612	612
13	60mm			615	615	615	615	615	615	615
14	65mm			617	617	617	617	617	617	617
				620	620	620	620	620	620	620
				625	625	625	625	625	625	625
				630	630	630	630	630	630	630
				635	635	635	635	635	635	635
				640	640	640	640	640	640	640
				645	645	645	645	645	645	645
				650	650	650	650	650	650	650

frame size M		Reach Pad position								
Flat	Low	Stack Pad position	1	2	3	4	5	6	7	8
			0mm	15mm	30mm	45mm	60mm	75mm	90mm	105mm
		1	0mm	580	580	580	580	580	580	580
		2	5mm	585	585	585	585	585	585	585
		3	10mm	590	590	590	590	590	590	590
		4	15mm	595	595	595	595	595	595	595
		5	20mm	600	600	600	600	600	600	600
		6	25mm	605	605	605	605	605	605	605
		7	30mm	610	610	610	610	610	610	610
1	0mm	8	35mm	613	613	613	613	613	613	613
2	5mm	9	40mm	615	615	615	615	615	615	615
3	10mm	10	45mm	618	618	618	618	618	618	618
4	15mm	11	50mm	620	620	620	620	620	620	620
5	20mm	12	55mm	623	623	623	623	623	623	623
6	25mm	13	60mm	625	625	625	625	625	625	625
7	30mm	14	65mm	628	628	628	628	628	628	628
8	35mm			630	630	630	630	630	630	630
9	40mm			633	633	633	633	633	633	633
10	45mm			635	635	635	635	635	635	635
11	50mm			638	638	638	638	638	638	638
12	55mm			640	640	640	640	640	640	640
13	60mm			643	643	643	643	643	643	643
14	65mm			645	645	645	645	645	645	645
				648	648	648	648	648	648	648
				653	653	653	653	653	653	653
				658	658	658	658	658	658	658
				663	663	663	663	663	663	663
				668	668	668	668	668	668	668
				673	673	673	673	673	673	673
				678	678	678	678	678	678	678

frame size L		Reach Pad position								
Flat	Low	Stack Pad position	1	2	3	4	5	6	7	8
			0mm	15mm	30mm	45mm	60mm	75mm	90mm	105mm
		1	0mm	622	622	622	622	622	622	622
		2	5mm	627	627	627	627	627	627	627
		3	10mm	632	632	632	632	632	632	632
		4	15mm	637	637	637	637	637	637	637
		5	20mm	642	642	642	642	642	642	642
		6	25mm	647	647	647	647	647	647	647
		7	30mm	652	652	652	652	652	652	652
1	0mm	8	35mm	655	655	655	655	655	655	655
2	5mm	9	40mm	657	657	657	657	657	657	657
3	10mm	10	45mm	660	660	660	660	660	660	660
4	15mm	11	50mm	662	662	662	662	662	662	662
5	20mm	12	55mm	665	665	665	665	665	665	665
6	25mm	13	60mm	667	667	667	667	667	667	667
7	30mm	14	65mm	670	670	670	670	670	670	670
8	35mm			672	672	672	672	672	672	672
9	40mm			675	675	675	675	675	675	675
10	45mm			677	677	677	677	677	677	677
11	50mm			680	680	680	680	680	680	680
12	55mm			682	682	682	682	682	682	682
13	60mm			685	685	685	685	685	685	685
14	65mm			687	687	687	687	687	687	687
				690	690	690	690	690	690	690
				695	695	695	695	695	695	695
				700	700	700	700	700	700	700
				705	705	705	705	705	705	705
				710	710	710	710	710	710	710
				715	715	715	715	715	715	715
				720	720	720	720	720	720	720

2. Stack and Reach tables - Tilt 5°

2A. Reach: select the closest Reach value from the table and note *Base bar type* and the *Reach Pad position*.

Frame	Base bar										
S	Flat	353 ¹	368 ²	383 ³	398 ⁴	413 ⁵	428 ⁶	443 ⁷	458 ⁸		
M	Flat	373 ¹	388 ²	403 ³	418 ⁴	433 ⁵	448 ⁶	463 ⁷	478 ⁸		
L	Flat		400 ¹	415 ²	430 ³	445 ⁴	460 ⁵	475 ⁶	490 ⁷	505 ⁸	
S	Low		388 ¹	403 ²	418 ³	433 ⁴	448 ⁵	463 ⁶	478 ⁷	493 ⁸	
M	Low		408 ¹	423 ²	438 ³	453 ⁴	468 ⁵	483 ⁶	498 ⁷	513 ⁸	
L	Low			435 ¹	450 ²	465 ³	480 ⁴	495 ⁵	510 ⁶	525 ⁷	540 ⁸

2B. Stack: select the closest Stack value from the different frame size tables using the *Base bar type* and the *Reach Pad position* and note the *Stack Pad position*.

frame size S		Reach Pad position							
Flat	Low	1	2	3	4	5	6	7	8
Stack Pad position		0mm	15mm	30mm	45mm	60mm	75mm	90mm	105mm
1	0mm	543	545	546	547	549	550	551	552
2	5mm	548	550	551	552	554	555	556	557
3	10mm	553	555	556	557	559	560	561	562
4	15mm	558	560	561	562	564	565	566	567
5	20mm	563	565	566	567	569	570	571	572
6	25mm	568	570	571	572	574	575	576	577
7	30mm	573	575	576	577	579	580	581	582
1	0mm	576	577	579	580	581	583	584	585
2	5mm	578	580	581	582	584	585	586	587
3	10mm	583	585	586	587	589	590	591	592
4	15mm	586	587	589	590	591	593	594	595
5	20mm	588	590	591	592	594	595	596	597
6	25mm	591	592	594	595	596	598	599	600
7	30mm	593	595	596	597	599	600	601	602
8	35mm	596	597	599	600	601	603	604	605
9	40mm	598	600	601	602	604	605	606	607
10	45mm	601	602	604	605	606	608	609	610
11	50mm	603	605	606	607	609	610	611	612
12	55mm	606	607	609	610	611	613	614	615
13	60mm	608	610	611	612	614	615	616	617
14	65mm	611	612	614	615	616	618	619	620
1	0mm	616	617	619	620	621	623	624	625
2	5mm	621	622	624	625	626	628	629	630
3	10mm	626	627	629	630	631	633	634	635
4	15mm	631	632	634	635	636	638	639	640
5	20mm	636	637	639	640	641	643	644	645
6	25mm	641	642	644	645	646	648	649	650

frame size M		Reach Pad position							
Flat	Low	1	2	3	4	5	6	7	8
Stack Pad position		0mm	15mm	30mm	45mm	60mm	75mm	90mm	105mm
1	0mm	571	573	574	575	577	578	579	580
2	5mm	576	578	579	580	582	583	584	585
3	10mm	581	583	584	585	587	588	589	590
4	15mm	586	588	589	590	592	593	594	595
5	20mm	591	593	594	595	597	598	599	600
6	25mm	596	598	599	600	602	603	604	605
7	30mm	601	603	604	605	607	608	609	610
1	0mm	604	605	607	608	609	611	612	613
2	5mm	606	608	609	610	612	613	614	615
3	10mm	609	610	612	613	614	616	617	618
4	15mm	611	613	614	615	617	618	619	620
5	20mm	614	615	617	618	619	621	622	623
6	25mm	616	618	619	620	622	623	624	625
7	30mm	619	620	622	623	624	626	627	628
8	35mm	621	623	624	625	627	628	629	630
9	40mm	624	625	627	628	629	631	632	633
10	45mm	626	628	629	630	632	633	634	635
11	50mm	629	630	632	633	634	636	637	638
12	55mm	631	633	634	635	637	638	639	640
13	60mm	634	635	637	638	639	641	642	643
14	65mm	636	638	639	640	642	643	644	645
1	0mm	639	640	642	643	644	646	647	648
2	5mm	644	645	647	648	649	651	652	653
3	10mm	649	650	652	653	654	656	657	658
4	15mm	654	655	657	658	659	661	662	663
5	20mm	659	660	662	663	664	666	667	668
6	25mm	664	665	667	668	669	671	672	673
7	30mm	669	670	672	673	674	676	677	678

frame size L		Reach Pad position							
Flat	Low	1	2	3	4	5	6	7	8
Stack Pad position		0mm	15mm	30mm	45mm	60mm	75mm	90mm	105mm
1	0mm	613	614	616	617	618	620	621	622
2	5mm	618	619	621	622	623	625	626	627
3	10mm	623	624	626	627	628	630	631	632
4	15mm	628	629	631	632	633	635	636	637
5	20mm	633	634	636	637	638	640	641	642
6	25mm	638	639	641	642	643	645	646	647
7	30mm	643	644	646	647	648	650	651	652
1	0mm	646	647	648	650	651	652	654	655
2	5mm	648	649	651	652	653	655	656	657
3	10mm	651	652	653	655	656	657	659	660
4	15mm	653	654	656	657	658	660	661	662
5	20mm	656	657	658	660	661	662	664	665
6	25mm	658	659	661	662	663	665	666	667
7	30mm	661	662	663	665	666	667	669	670
8	35mm	663	664	666	667	668	670	671	672
9	40mm	666	667	668	670	671	672	674	675
10	45mm	668	669	671	672	673	675	676	677
11	50mm	671	672	673	675	676	677	679	680
12	55mm	673	674	676	677	678	680	681	682
13	60mm	676	677	678	680	681	682	684	685
14	65mm	678	679	681	682	683	685	686	687
1	0mm	681	682	683	685	686	687	689	690
2	5mm	686	687	688	690	691	692	694	695
3	10mm	691	692	693	695	696	697	699	700
4	15mm	696	697	698	700	701	702	704	705
5	20mm	701	702	703	705	706	707	709	710
6	25mm	706	707	708	710	711	712	714	715
7	30mm	711	712	713	715	716	717	719	720

2. Stack and Reach tables - Tilt 10°

2A. Reach: select the closest Reach value from the table and note *Base bar type* and the *Reach Pad position*.

Frame	Base bar													
S	Flat	348 ¹	363 ²	378 ³	393 ⁴	407 ⁵	422 ⁶	437 ⁷	452 ⁸					
M	Flat	368 ¹	383 ²	398 ³	413 ⁴	427 ⁵	442 ⁶	457 ⁷	472 ⁸					
L	Flat				395 ¹	410 ²	425 ³	440 ⁴	454 ⁵	469 ⁶	484 ⁷	499 ⁸		
S	Low				383 ¹	398 ²	413 ³	428 ⁴	442 ⁵	457 ⁶	472 ⁷	487 ⁸		
M	Low				403 ¹	418 ²	433 ³	448 ⁴	462 ⁵	477 ⁶	492 ⁷	507 ⁸		
L	Low						430 ¹	445 ²	460 ³	475 ⁴	489 ⁵	504 ⁶	519 ⁷	534 ⁸

2B. Stack: select the closest Stack value from the different frame size tables using the *Base bar type* and the *Reach Pad position* and note the *Stack Pad position*.

frame size S		Reach Pad position							
Flat	Low	1	2	3	4	5	6	7	8
Stack Pad position		0mm	15mm	30mm	45mm	60mm	75mm	90mm	105mm
1	0mm	534	537	539	542	545	547	550	552
2	5mm	539	542	544	547	550	552	555	557
3	10mm	544	547	549	552	555	557	560	562
4	15mm	549	552	554	557	560	562	565	567
5	20mm	554	557	559	562	565	567	570	572
6	25mm	559	562	564	567	570	572	575	577
7	30mm	564	567	569	572	575	577	580	582
1	0mm	567	570	572	575	577	580	583	585
2	5mm	569	572	574	577	580	582	585	587
3	10mm	572	575	577	580	582	585	588	590
4	15mm	574	577	579	582	585	587	590	592
5	20mm	577	580	582	585	587	590	593	595
6	25mm	579	582	584	587	590	592	595	597
7	30mm	584	587	589	592	595	597	600	602
8	35mm	587	590	592	595	597	600	603	605
9	40mm	589	592	594	597	600	602	605	607
10	45mm	592	595	597	600	602	605	608	610
11	50mm	594	597	599	602	605	607	610	612
12	55mm	597	600	602	605	607	610	613	615
13	60mm	599	602	604	607	610	612	615	617
14	65mm	602	605	607	610	612	615	618	620
1	0mm	607	610	612	615	617	620	623	625
2	5mm	612	615	617	620	622	625	628	630
3	10mm	617	620	622	625	627	630	633	635
4	15mm	622	625	627	630	632	635	638	640
5	20mm	627	630	632	635	637	640	643	645
6	25mm	632	635	637	640	642	645	648	650

frame size M		Reach Pad position							
Flat	Low	1	2	3	4	5	6	7	8
Stack Pad position		0mm	15mm	30mm	45mm	60mm	75mm	90mm	105mm
1	0mm	562	565	567	570	573	575	578	580
2	5mm	567	570	572	575	578	580	583	585
3	10mm	572	575	577	580	583	585	588	590
4	15mm	577	580	582	585	588	590	593	595
5	20mm	582	585	587	590	593	595	598	600
6	25mm	587	590	592	595	598	600	603	605
7	30mm	592	595	597	600	603	605	608	610
1	0mm	595	598	600	603	605	608	611	613
2	5mm	597	600	602	605	608	610	613	615
3	10mm	600	603	605	608	610	613	616	618
4	15mm	602	605	607	610	613	615	618	620
5	20mm	605	608	610	613	615	618	621	623
6	25mm	607	610	612	615	618	620	623	625
7	30mm	610	613	615	618	620	623	626	628
8	35mm	612	615	617	620	623	625	628	630
9	40mm	615	618	620	623	625	628	631	633
10	45mm	617	620	622	625	628	630	633	635
11	50mm	620	623	625	628	630	633	636	638
12	55mm	622	625	627	630	633	635	638	640
13	60mm	625	628	630	633	635	638	641	643
14	65mm	627	630	632	635	638	640	643	645
1	0mm	630	633	635	638	640	643	646	648
2	5mm	635	638	640	643	645	648	651	653
3	10mm	640	643	645	648	650	653	656	658
4	15mm	645	648	650	653	655	658	661	663
5	20mm	650	653	655	658	660	663	666	668
6	25mm	655	658	660	663	665	668	671	673
7	30mm	660	663	665	668	670	673	676	678

frame size L		Reach Pad position							
Flat	Low	1	2	3	4	5	6	7	8
Stack Pad position		0mm	15mm	30mm	45mm	60mm	75mm	90mm	105mm
1	0mm	604	607	609	612	614	617	620	622
2	5mm	609	612	614	617	619	622	625	627
3	10mm	614	617	619	622	624	627	630	632
4	15mm	619	622	624	627	629	632	635	637
5	20mm	624	627	629	632	634	637	640	642
6	25mm	629	632	634	637	639	642	645	647
7	30mm	634	637	639	642	644	647	650	652
1	0mm	637	639	642	645	647	650	652	655
2	5mm	639	642	644	647	649	652	655	657
3	10mm	642	644	647	650	652	655	657	660
4	15mm	644	647	649	652	654	657	660	662
5	20mm	647	649	652	655	657	660	662	665
6	25mm	649	652	654	657	659	662	665	667
7	30mm	652	654	657	660	662	665	667	670
8	35mm	654	657	659	662	664	667	670	672
9	40mm	657	659	662	665	667	670	672	675
10	45mm	659	662	664	667	669	672	675	677
11	50mm	662	664	667	670	672	675	677	680
12	55mm	664	667	669	672	674	677	680	682
13	60mm	667	669	672	675	677	680	682	685
14	65mm	669	672	674	677	679	682	685	687
1	0mm	672	674	677	680	682	685	687	690
2	5mm	677	679	682	685	687	690	692	695
3	10mm	682	684	687	690	692	695	697	700
4	15mm	687	689	692	695	697	700	702	705
5	20mm	692	694	697	700	702	705	707	710
6	25mm	697	699	702	705	707	710	712	715
7	30mm	702	704	707	710	712	715	717	720

2. Stack and Reach tables - Tilt 15°

2A. Reach: select the closest Reach value from the table and note *Base bar type* and the *Reach Pad position*.

Frame	Base bar												
S	Flat	345 ¹	359 ²	374 ³	388 ⁴	403 ⁵	417 ⁶	432 ⁷	446 ⁸				
M	Flat	365 ¹	379 ²	394 ³	408 ⁴	423 ⁵	437 ⁶	452 ⁷	466 ⁸				
L	Flat			392 ¹	406 ²	421 ³	435 ⁴	450 ⁵	464 ⁶	479 ⁷	493 ⁸		
S	Low		380 ¹	394 ²	409 ³	423 ⁴	438 ⁵	452 ⁶	467 ⁷	481 ⁸			
M	Low		400 ¹	414 ²	429 ³	443 ⁴	458 ⁵	472 ⁶	487 ⁷	501 ⁸			
L	Low				427 ¹	441 ²	456 ³	470 ⁴	485 ⁵	499 ⁶	514 ⁷	528 ⁸	

2B. Stack: select the closest Stack value from the different frame size tables using the *Base bar type* and the *Reach Pad position* and note the *Stack Pad position*.

frame size S		Reach Pad position							
Flat	Low	1	2	3	4	5	6	7	8
Stack Pad position		0mm	15mm	30mm	45mm	60mm	75mm	90mm	105mm
1	0mm	525	529	533	537	541	545	549	552
2	5mm	530	534	538	542	546	550	554	557
3	10mm	535	539	543	547	551	555	559	562
4	15mm	540	544	548	552	556	560	564	567
5	20mm	545	549	553	557	561	565	569	572
6	25mm	550	554	558	562	566	570	574	577
7	30mm	555	559	563	567	571	575	579	582
8	35mm	558	562	566	570	574	577	581	585
9	40mm	563	567	571	575	579	582	586	590
10	45mm	565	569	573	577	581	585	589	592
11	50mm	568	572	576	580	584	587	591	595
12	55mm	570	574	578	582	586	590	594	597
13	60mm	575	579	583	587	591	595	599	602
14	65mm	578	582	586	590	594	597	601	605
1	0mm	580	584	588	592	596	600	604	607
2	5mm	583	587	591	595	599	602	606	610
3	10mm	585	589	593	597	601	605	609	612
4	15mm	588	592	596	600	604	607	611	615
5	20mm	590	594	598	602	606	610	614	617
6	25mm	593	597	601	605	609	612	616	620
7	30mm	598	602	606	610	614	617	621	625
8	35mm	603	607	611	615	619	622	626	630
9	40mm	608	612	616	620	624	627	631	635
10	45mm	613	617	621	625	629	632	636	640
11	50mm	618	622	626	630	634	637	641	645
12	55mm	623	627	631	635	639	642	646	650
13	60mm	628	632	636	640	644	648	652	656
14	65mm	633	637	641	645	649	653	657	661

frame size M		Reach Pad position							
Flat	Low	1	2	3	4	5	6	7	8
Stack Pad position		0mm	15mm	30mm	45mm	60mm	75mm	90mm	105mm
1	0mm	553	557	561	565	569	573	577	580
2	5mm	558	562	566	570	574	578	582	585
3	10mm	563	567	571	575	579	583	587	590
4	15mm	568	572	576	580	584	588	592	595
5	20mm	573	577	581	585	589	593	597	600
6	25mm	578	582	586	590	594	598	602	605
7	30mm	583	587	591	595	599	603	607	610
8	35mm	586	590	594	598	602	605	609	613
9	40mm	588	592	596	600	604	608	612	615
10	45mm	591	595	599	603	607	610	614	618
11	50mm	593	597	601	605	609	613	617	620
12	55mm	596	600	604	608	612	615	619	623
13	60mm	598	602	606	610	614	618	622	625
14	65mm	601	605	609	613	617	620	624	628
1	0mm	603	607	611	615	619	623	627	630
2	5mm	606	610	614	618	622	625	629	633
3	10mm	608	612	616	620	624	628	632	635
4	15mm	611	615	619	623	627	630	634	638
5	20mm	613	617	621	625	629	633	637	640
6	25mm	616	620	624	628	632	635	639	643
7	30mm	618	622	626	630	634	638	642	645
8	35mm	621	625	629	633	637	640	644	648
9	40mm	626	630	634	638	642	645	649	653
10	45mm	631	635	639	643	647	650	654	658
11	50mm	636	640	644	648	652	655	659	663
12	55mm	641	645	649	653	657	660	664	668
13	60mm	646	650	654	658	662	665	669	673
14	65mm	651	655	659	663	667	670	674	678

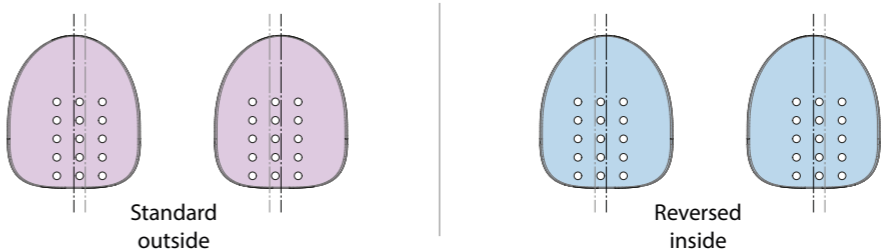
frame size L		Reach Pad position							
Flat	Low	1	2	3	4	5	6	7	8
Stack Pad position		0mm	15mm	30mm	45mm	60mm	75mm	90mm	105mm
1	0mm	595	599	603	607	611	614	618	622
2	5mm	600	604	608	612	616	619	623	627
3	10mm	605	609	613	617	621	624	628	632
4	15mm	610	614	618	622	626	629	633	637
5	20mm	615	619	623	627	631	634	638	642
6	25mm	620	624	628	632	636	639	643	647
7	30mm	625	629	633	637	641	644	648	652
8	35mm	628	632	636	639	643	647	651	655
9	40mm	630	634	638	642	646	649	653	657
10	45mm	633	637	641	644	648	652	656	660
11	50mm	635	639	643	647	651	654	658	662
12	55mm	638	642	646	649	653	657	661	665
13	60mm	640	644	648	652	656	659	663	667
14	65mm	643	647	651	654	658	662	666	670
1	0mm	645	649	653	657	661	664	668	672
2	5mm	648	652	656	659	663	667	671	675
3	10mm	650	654	658	662	666	669	673	677
4	15mm	653	657	661	664	668	672	676	680
5	20mm	655	659	663	667	671	674	678	682
6	25mm	658	662	666	669	673	677	681	685
7	30mm	660	664	668	672	676	679	683	687
8	35mm	663	667	671	674	678	682	686	690
9	40mm	668	672	676	679	683	687	691	695
10	45mm	673	677	681	684	688	692	696	700
11	50mm	678	682	686	689	693	697	701	705
12	55mm	683	687	691	694	698	702	706	710
13	60mm	688	692	696	699	703	707	711	715
14	65mm	693	697	701	704	708	712	716	720

3. Width and final armrest pads positions

To determine the armrest final setup and bolts positions, identify in the illustration below the right combination of:

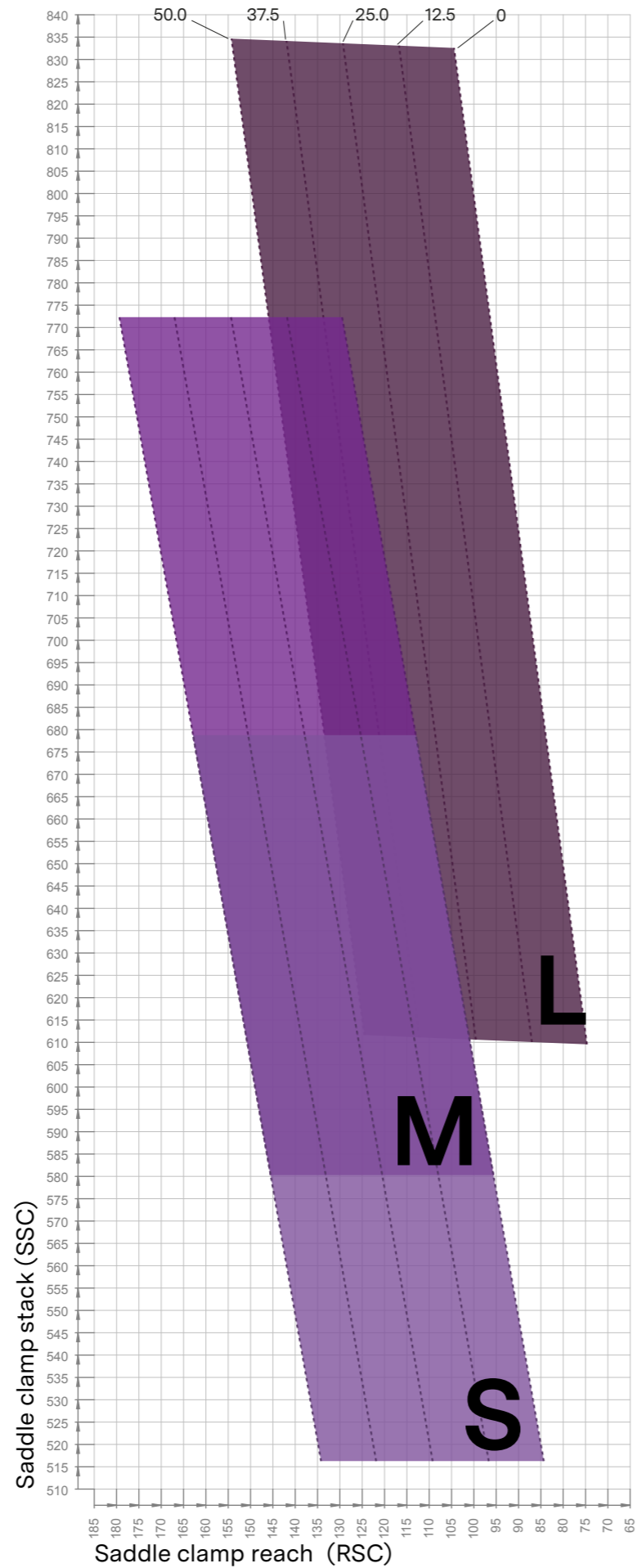
- *Reach Pad position* here in red.
- Armrest Width value (WAR) here in black.

You could invert left and right armrests to tune the armrest width.



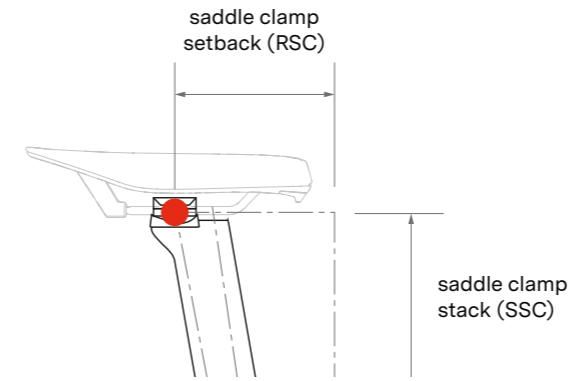
8									8
7									7
6									6
5									5
4									4
3									3
2									2
1									1
	124 A	142 B	161 C	179 D	198 E	216 F	235 G	253 H	

4. Seat post hardware position



To determine the right position of the saddle clamp (seatpost hardware), you need to know SSC and RSC.

Place the SSC and RSC values in the chart. The point thus created will fall into a colored zone and near a dotted line.



- The color code will confirm the frame size saddle height adjustment (from bottom bracket to saddle clamp)
- The dotted line will guide you for the offset selection.

⚠ WARNING: Saddles are all different and this chart gives you a general information. Please double check your saddle adjustment on the final bike.

ℹ INFORMATION: The Speedmachine is delivered with a seatpost providing 0, 12.5 and 25mm offsets. If you need either 37.5 or 50mm offset, an optional seatpost is available in our after-market program.

Notes

Lined area for notes on page 24.

Notes

Lined area for notes on page 25.

BMC