

**BMC**

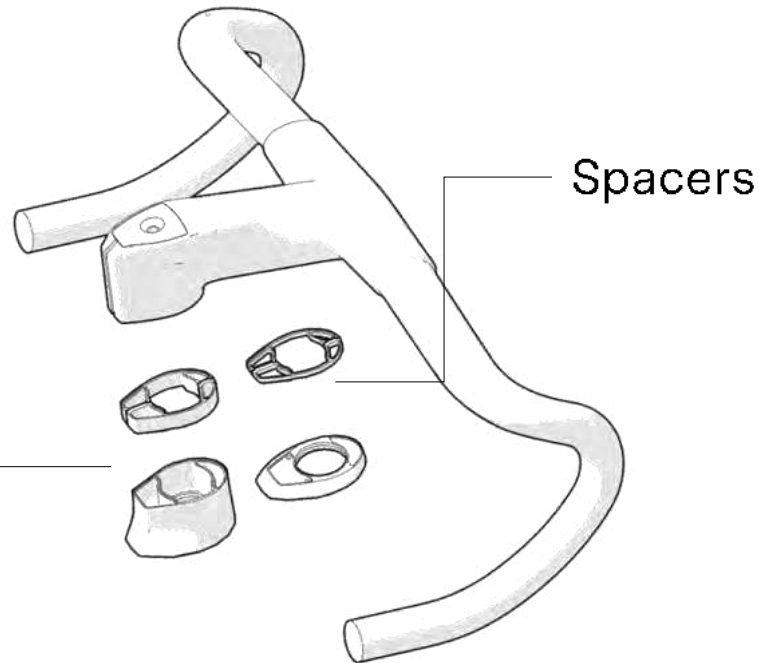
**ICS COMPATIBILITY**

“01” Road and Gravel frameset introduced from 2016 are designed for ICS technology.

- Current ICS frames are fully compatible with any ICS cockpit and stem.
- Legacy ICS frames are fully compatible with 1<sup>st</sup> Generation ICS components.
- Legacy ICS frames compatibility with 2<sup>nd</sup> generation ICS components is limited

- The installation of ICS cockpits and stems requires the use of the correct topcone and spacer kit.
- Retrofit kits include both topcones heights and spacers.

**Topcones**  
(Positioned between frame and spacers)



| Current ICS Frames               | Legacy ICS Frames                      |
|----------------------------------|--|
| TEAMMACHINE SLR01<br>From 2021   | TEAMMACHINE SLR01<br>From 2018         |
| TIMEMACHINE ROAD 01<br>From 2019 | ROADMACHINE 01<br>From 2017            |
| ROADMACHINE 01<br>From 2020      | ALPENCHALLENGE AMP CARBON<br>From 2019 |
| URS 01<br>From 2020              |  |

1<sup>st</sup> and 2<sup>nd</sup> Generation ICS Compatible

1<sup>st</sup> Generation ICS Compatible

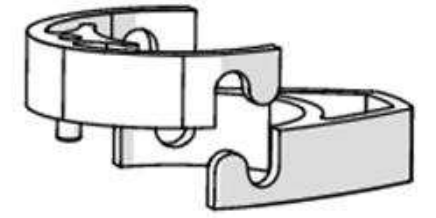
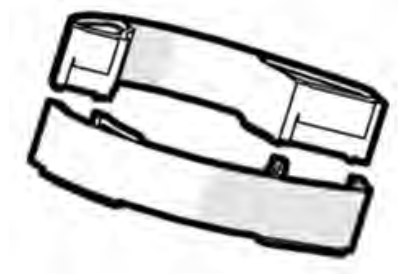
1<sup>st</sup> Generation and 2<sup>nd</sup> generation ICS components use different spacer and topcone interfaces.

2<sup>nd</sup> generation ICS components

- interlocking interface

1<sup>st</sup> generation ICS components

- “pin” interface



- ✓ ICS Carbon
- ✓ ICS Carbon Aero
- ✓ ICS2 Stem
- ✓ ICS MTT Suspension Stem

- ✓ ICS Aero Cockpit
- ✓ ICS01 Stem
- ✓ ICS01 0° Stem

# Current ICS Frames

The following tables lists the kits required (topcones and spacers) to retrofit 1<sup>st</sup> or 2<sup>nd</sup> generation ICS Technology components on current ICS frames.

## 2<sup>nd</sup> Generation ICS



| Description  | Content  | Frame  | Color   | Article # |          |
|--|--|--|---|-----------|----------|
| Topcones and Spacers Set for 2 <sup>nd</sup> Generation ICS components:<br>✓ ICS Carbon<br>✓ ICS Carbon Aero<br>✓ ICS2 Stem<br>✓ ICS MTT Suspension Stem | Topcones:<br>1 x 5 mm<br>1 x 30 mm<br><br>Spacers:<br>3 x 10 mm<br>2 x 3mm | <ul style="list-style-type: none"> <li>• Teammachine SLR 01</li> <li>• Kaius 01</li> </ul> | BLACK   | 30001801  |          |
|  |  |  | RED   | 30001802  |          |
|  |  |  | WHITE   | 30003256  |          |
|  |  | <ul style="list-style-type: none"> <li>• Roadmachine 01</li> <li>• URS 01</li> </ul>       | BLACK   | 30001804  |          |
|  |  |  | <ul style="list-style-type: none"> <li>• Timemachine Road 01</li> </ul> | BLACK     | 30003732 |
|  |  |  |   | RED       | 30003734 |
| WHITE  | 30003733   |  |   |           |          |

## 1<sup>st</sup> Generation ICS



| Description  | Content   | Frame  | Color | Article # |
|--|---|--|-------|-----------|
| Topcones and Spacers Set for 1 <sup>st</sup> Generation ICS components:<br>✓ ICS Aero Cockpit<br>✓ ICS01 Stem<br>✓ ICS01 0° Stem | Topcones:<br>1 x 5 mm<br>1 x 30 mm<br><br>Spacers:<br>3 x 10 mm | <ul style="list-style-type: none"> <li>• Teammachine SLR 01</li> <li>• Kaius 01</li> </ul> | Black | 30001800  |
|  |   | <ul style="list-style-type: none"> <li>• Roadmachine 01</li> <li>• URS 01</li> </ul>       | BLACK | 30001803  |
|  |   | <ul style="list-style-type: none"> <li>• Timemachine Road 01</li> </ul>                    | BLACK | 30003735  |

# Legacy ICS Frames

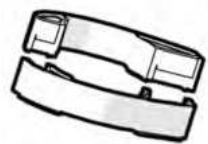
Teammachine SLR 01 Disc (2018-2020 models) and Alpenchallenge AMP Carbon (2019-2021 models) frames are compatible with 1<sup>st</sup> and 2<sup>nd</sup> generation ICS components.

Roadmachine 01 frames (2017-2019 models) are NOT compatible with 2<sup>nd</sup> generation ICS components.

Legacy ICS models (complete bikes and modules) were factory equipped with 1<sup>st</sup> Generation ICS stems.

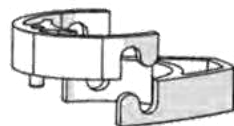
The following tables lists the kits required (topcones and spacers) to retrofit 1<sup>st</sup> or 2<sup>nd</sup> generation ICS Technology components on legacy ICS frames.

## 2<sup>nd</sup> Generation



| Description  | Content  | Frame  | Color | Article # |
|--|--|--|-------|-----------|
| Topcones and Spacers Set for 2 <sup>nd</sup> Generation ICS components:<br>✓ ICS Carbon<br>✓ ICS Carbon Aero<br>✓ ICS2 Stem<br>✓ ICS MTT Suspension Stem | Topcones:<br>1 x 5 mm<br>1 x 30 mm<br><br>Spacers:<br>3 x 10 mm<br>2 x 3mm | Teammachine SLR 01 Disc<br>• MY18/19/20<br><br>Alpenchallenge AMP Carbon<br>• MY19/20/21 | BLACK | 30001804  |

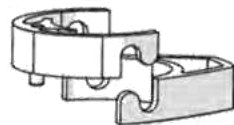
## 1st Generation



| Description  | Content   | Frame  | Color | Article # |
|--|---|--|-------|-----------|
| Topcones and Spacers Set for 1 <sup>st</sup> Generation ICS components:<br>✓ ICS Aero Cockpit<br>✓ ICS01 Stem<br>✓ ICS01 Ø <sup>9</sup> Stem | Topcones:<br>1 x 5 mm<br>1 x 30 mm<br><br>Spacers:<br>3 x 10 mm | Teammachine SLR 01 Disc<br>• MY18/19/20<br><br>Alpenchallenge AMP Carbon<br>• MY19/20/21 | BLACK | 30001803  |

The first generation of Roadmachine 01 (MY17/18/19) is not compatible with 2<sup>nd</sup> Generation ICS components but can be retrofitted with 1<sup>st</sup> Generation ICS components without additional topcones or spacers.

## 1st Generation



| Description  | Content                | Frame                          | Color | Article # |
|--|------------------------|--------------------------------|-------|-----------|
| Topcones for 1 <sup>st</sup> Generation ICS components:<br>✓ ICS Aero Cockpit<br>✓ ICS01 Stem<br>✓ ICS01 Ø <sup>9</sup> Stem | Topcones:<br>1 x 30 mm | Roadmachine 01<br>• MY17/18/19 | BLACK | 300712    |
|  | Topcones:<br>1 x 5 mm  |                                | BLACK | 300713    |



# Technical Manual

2nd Generation ICS One-Piece Cockpits and ICS Stems

- ICS Carbon
- ICS Carbon Aero
- ICS2 Stem
- ICS MTT Stem

# STEM ASSEMBLY PREPARATION

A person's hands are shown assembling a red and black component on a wooden table. The person is wearing a dark shirt. The table is covered with various parts: a red ring, a black ring, a small black piece, a red triangular piece, and a black cylindrical piece. The text "STEM ASSEMBLY PREPARATION" is overlaid in white on the image.

## Fork, headset and stem pre-tensioning

- Apply grease on the lower bearing seat on the frame, on the fork crown, then position the lower bearing on it
- Apply grease on the upper bearing seat on the frame and then position the upper bearing on it



- Install the fork on the headtube
- Install the circlip on upper bearing
- Install the fork on the frame



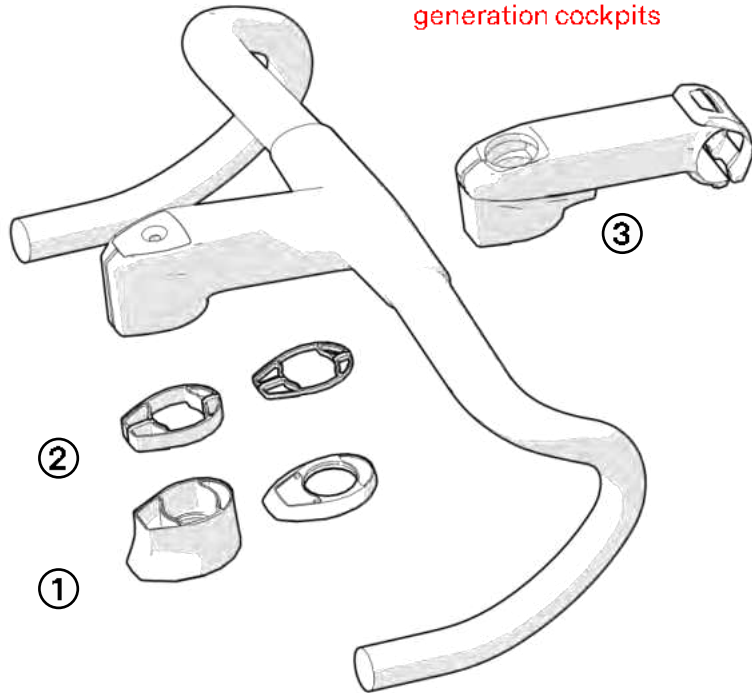
## Topcone, Spacers and Stem/Cockpit configuration

Selected the desired topcone/ spacer configuration, choosing between:

- Low Topcone or High Topcone
- Spacers (10mm or 3mm)

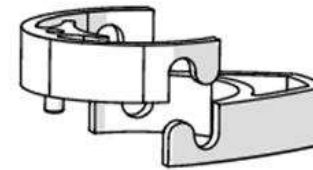
1. Top Cone height
2. Spacers
3. Cockpit or Stem

Make sure you are using the correct spacers for 1<sup>st</sup> or 2<sup>nd</sup> generation cockpits



- Assemble the components on the frame.
- Make sure the spacers are aligned with the top cone
- The two halves of the spacers must well connect and engage with a click, see details below.

### 1st Generation



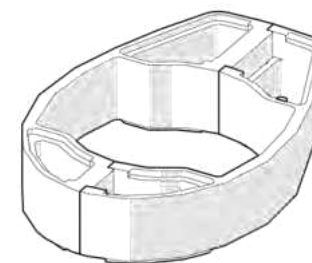
- The two halves of the spacers are not identical!

Ensure the concave face is facing up and the convex one is facing down

- Spacers are locked applying pressure

Spacers can be connected only when correctly oriented

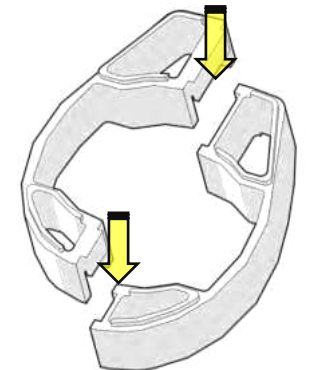
### 2nd Generation



Top View concave face



Bottom View convex face



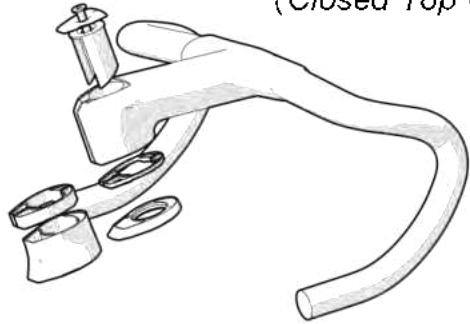


## Topcap options (2<sup>nd</sup> Generation Only)

- The open top cap can be used on 2<sup>nd</sup> generation ICS components to add standard round spacers above the stem.
- This way it's possible to fine tune the riding position before cutting the steerer to its final lengths
- 1<sup>st</sup> Generation ICS Components only feature

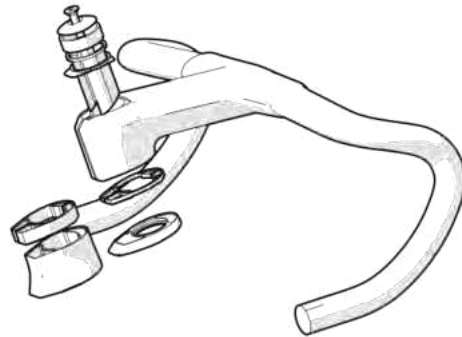
- Consult the next pages to check the detailed assembly and ensure you are using the correct parts.
- All parts are included in the delivery of complete bikes, modules and stems/cockpits.

**1. Flush Configuration**  
*(Closed Top Cap)*

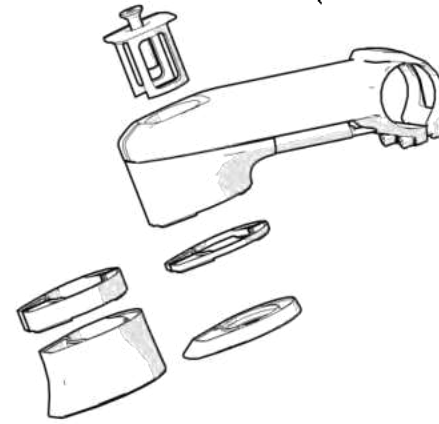


### ICS Carbon

**2. Open Configuration**  
*(Open Top Cap)*

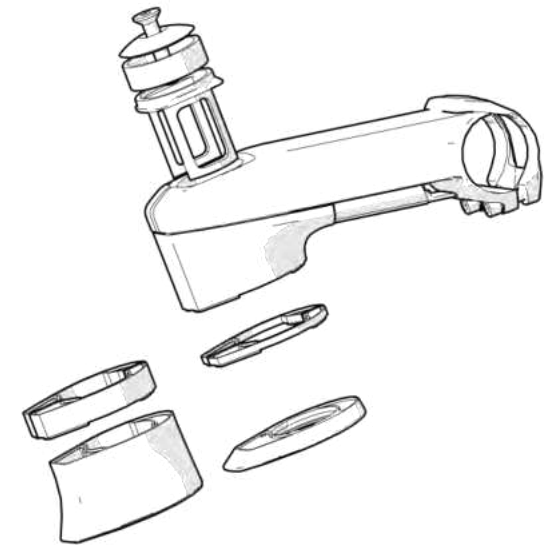


**1. Flush Configuration**  
*(Closed Top Cap)*



### ICS2

**2. Open Configuration**  
*(Open Top Cap)*



### Closed Top Cap

1. Bolt
2. Flush Top Cap
3. Steerer Wedge

### Open Top Cap

4. Compression Bolt
5. Round Top Cap
6. Standard Spacer
7. Lipped Steerer wedge for Round Spacers
8. Shaped Top Cap for Iround Spacers

### ICS Carbon



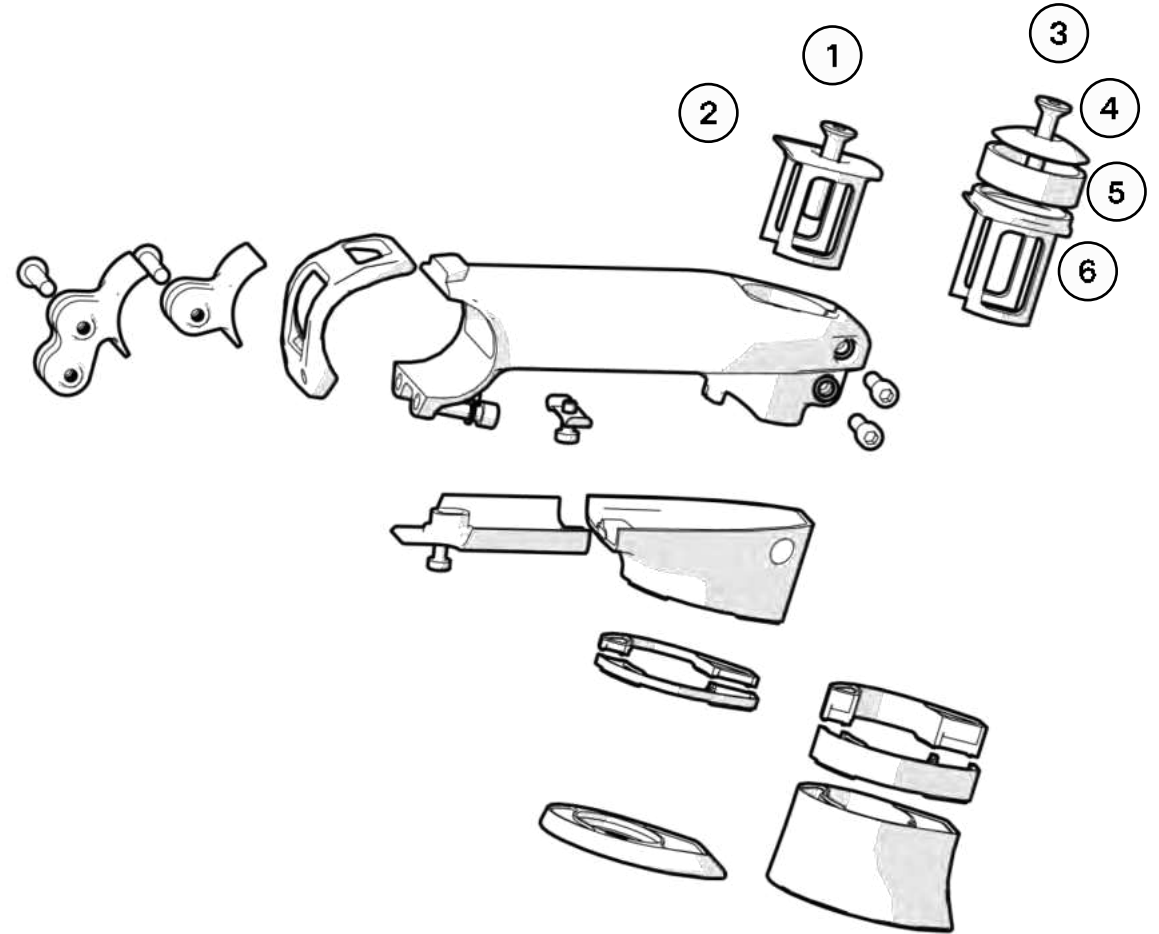
### Closed Top Cap

1. Compression Bolt
2. Flush Top Cap

### Open Top Cap

3. Compression Bolt
4. Round Top Cap
5. Standard Spacer
6. Lipped Steerer wedge for Round Spacers

ICS2



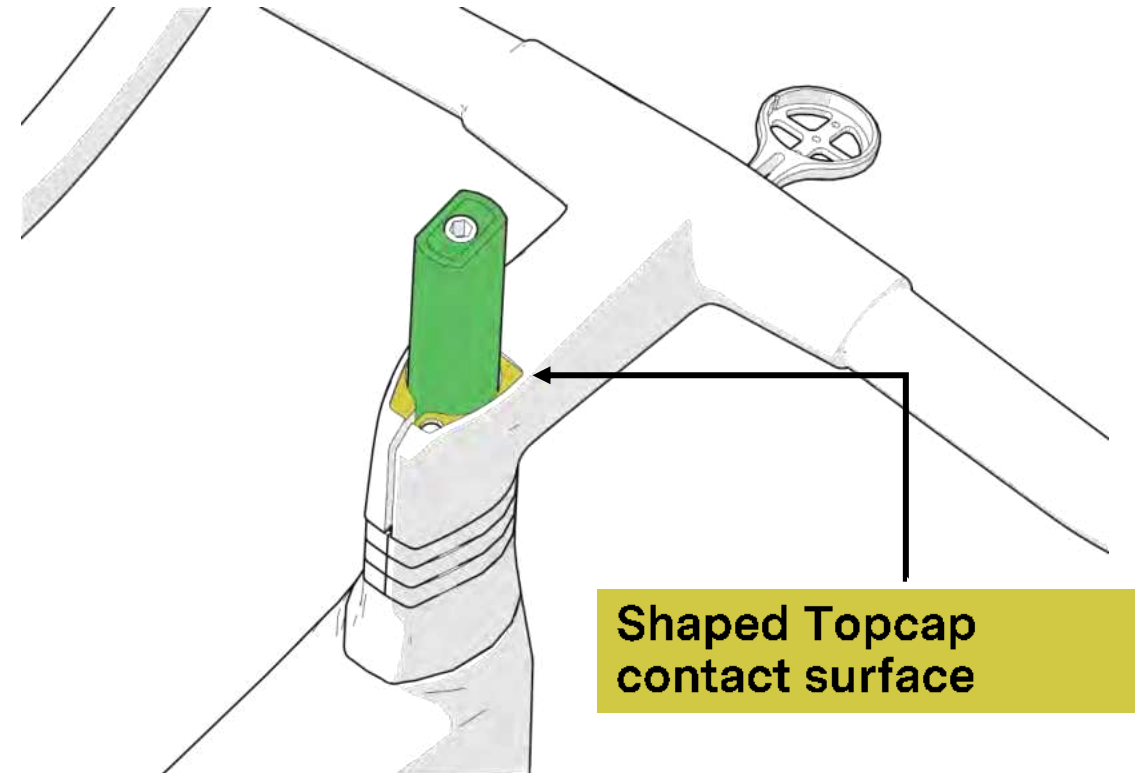
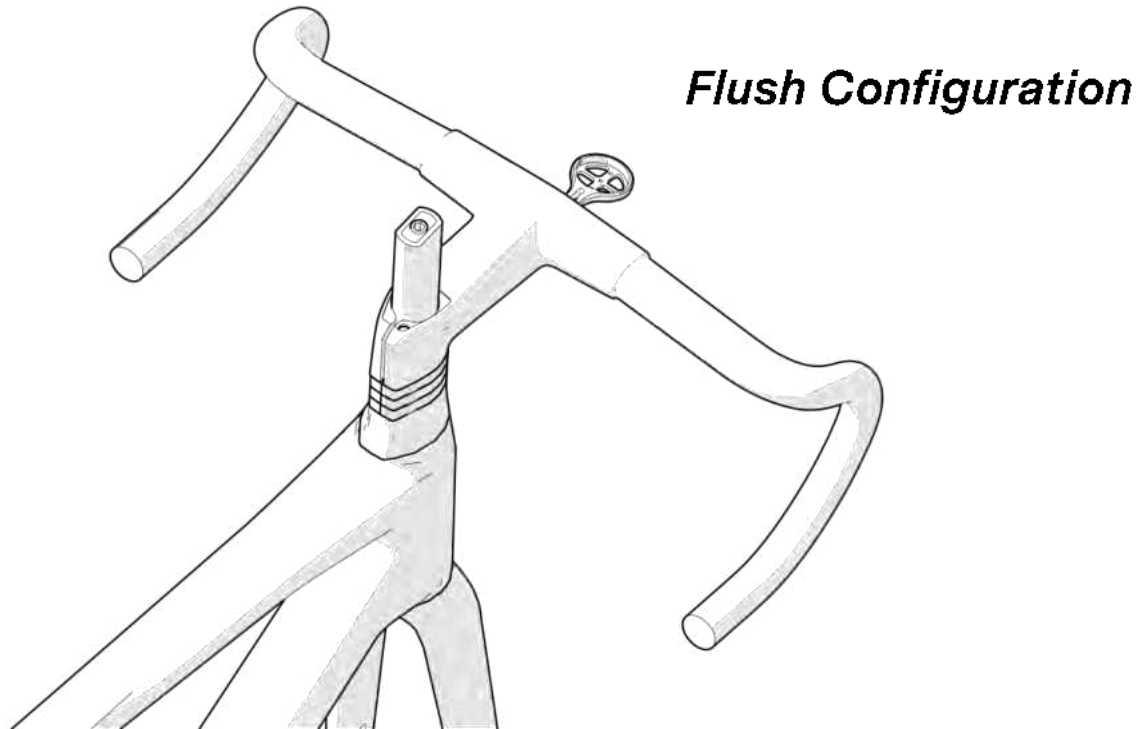
A close-up photograph of a person's hands using a hand saw to cut a metal rod. The rod is held in a red bench vise. The person's left hand is on the orange handle of the saw, and their right hand is on the black handle. The saw blade is positioned to cut through the metal rod. The background is a workshop setting with various tools and equipment.

# STEERER CUTTING INSTRUCTIONS

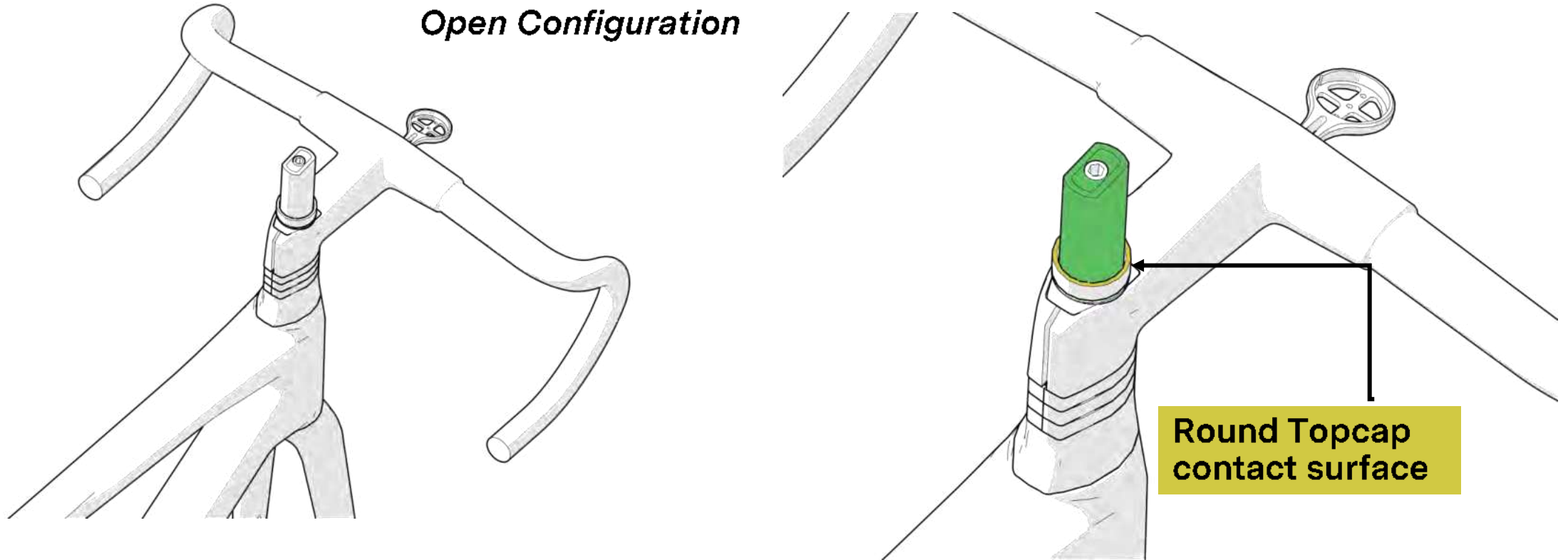
(2<sup>nd</sup> Generation ICS Components)

- Compress the assembly by hand and make sure topcone, spacers and stem are well aligned.
- The procedure is identical for ICS2 and ICS Carbon, the illustration displays the procedure on the ICS Carbon cockpit

- For the Flush Configuration, mark the steerer where the top cap contacts the stem body.
- The example below shows where to mark the steerer to use the Flush Configuration for a clean look on ICS Carbon



- For the Open Configuration, mark the steerer at the top of the last round spacer.
- The example below shows the where to mark the steerer when one spacer is being used above the stem.



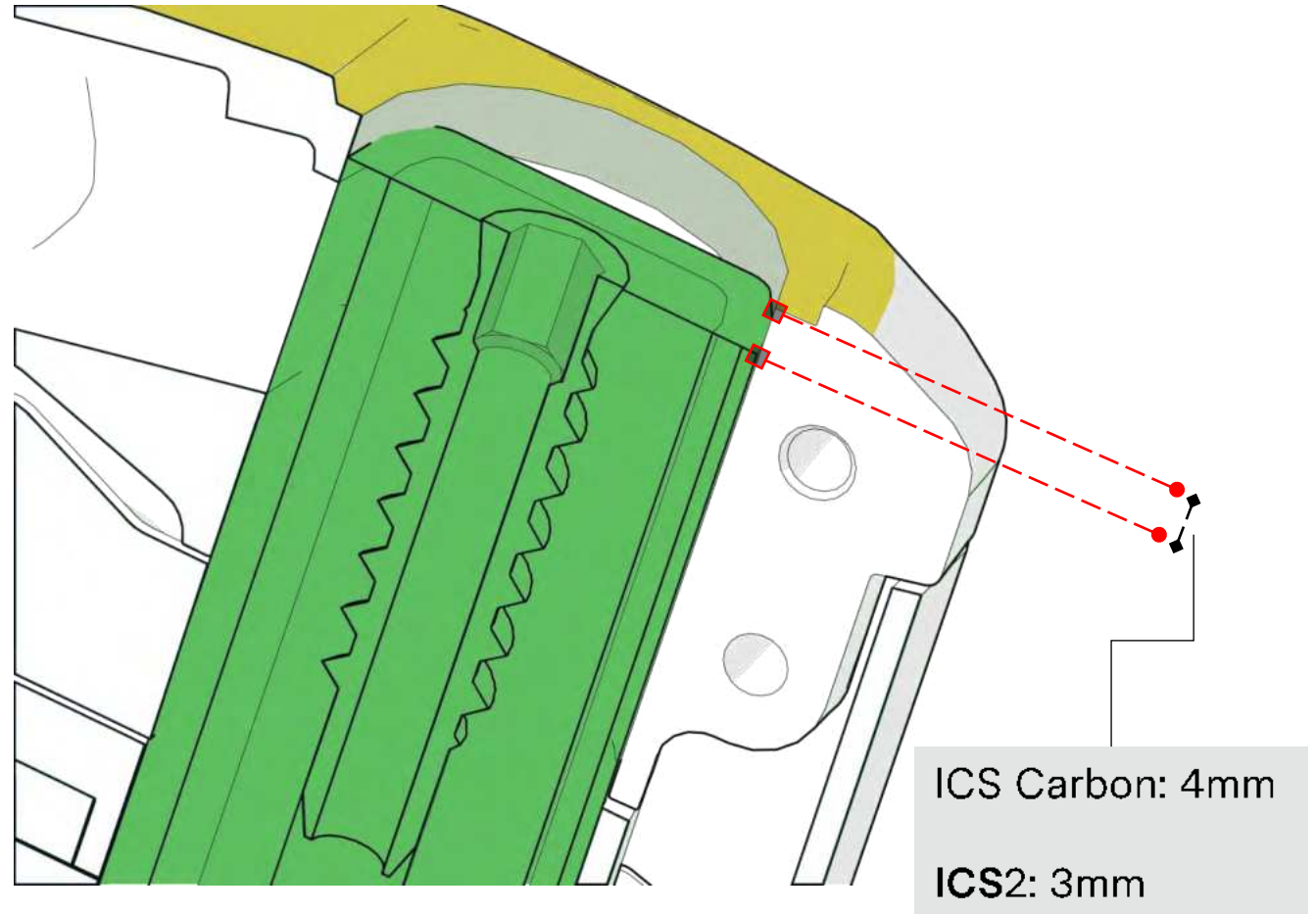
## Fork steerer cutting mark

Once the height of the topcap contact point has been marked on the steerer (as of previous instructions) you can proceed to mark the steerer a second time.

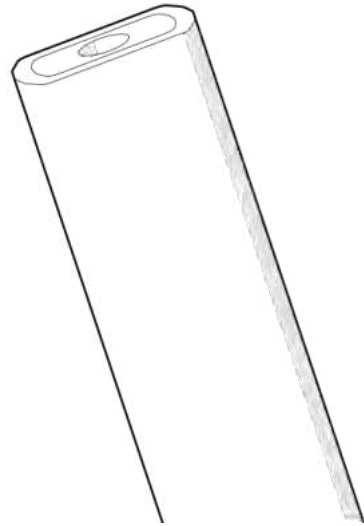
The second mark is the final one and it will be used to cut the steerer.

Please note that the cutting mark is different from ICS2 to ICS Carbon.

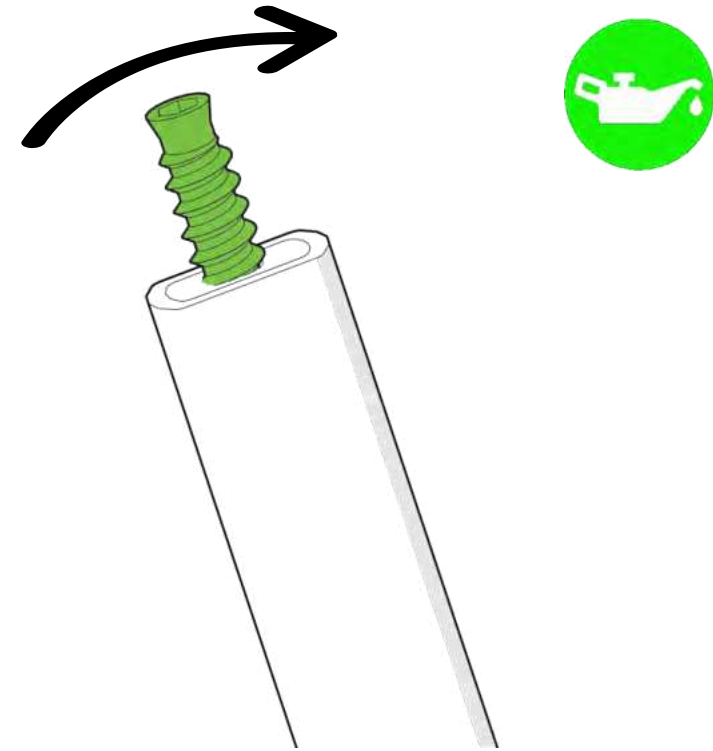
- **ICS Carbon:** the steerer must be cut **4mm** below the topcap contact surface
- **ICS2:** the steerer must be cut **3mm** below the topcap contact surface of the stem.



- Cut the steerer using a steerer cutting jig and a vice to ensure stability during cutting
- Deburr any sharp edge with fine grain sandpaper



- After the steerer has been cut the self-cutting bolt can be threaded in until it is flush with surface.
- Remove any excess material produced during the installation of the bolt
- Grease the bolt for easier installation.



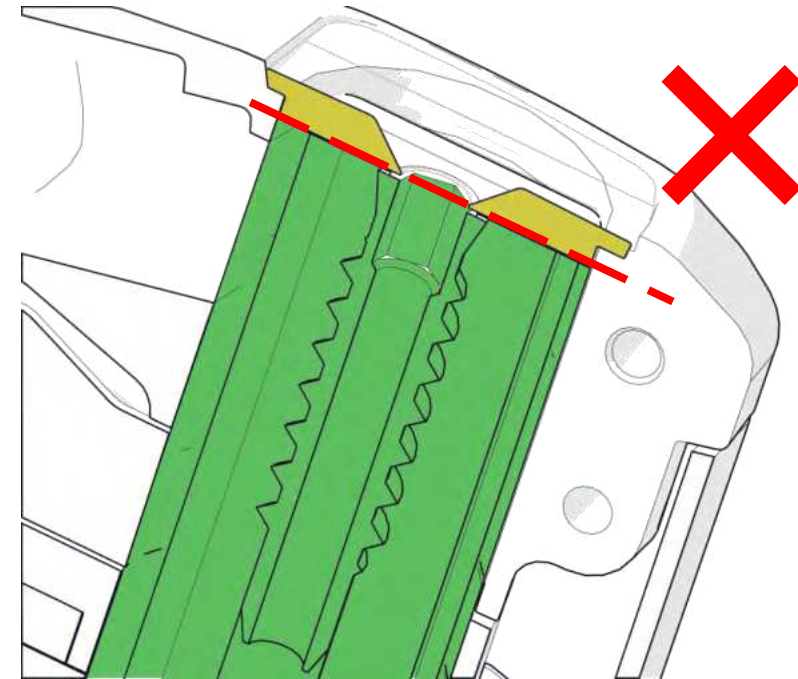
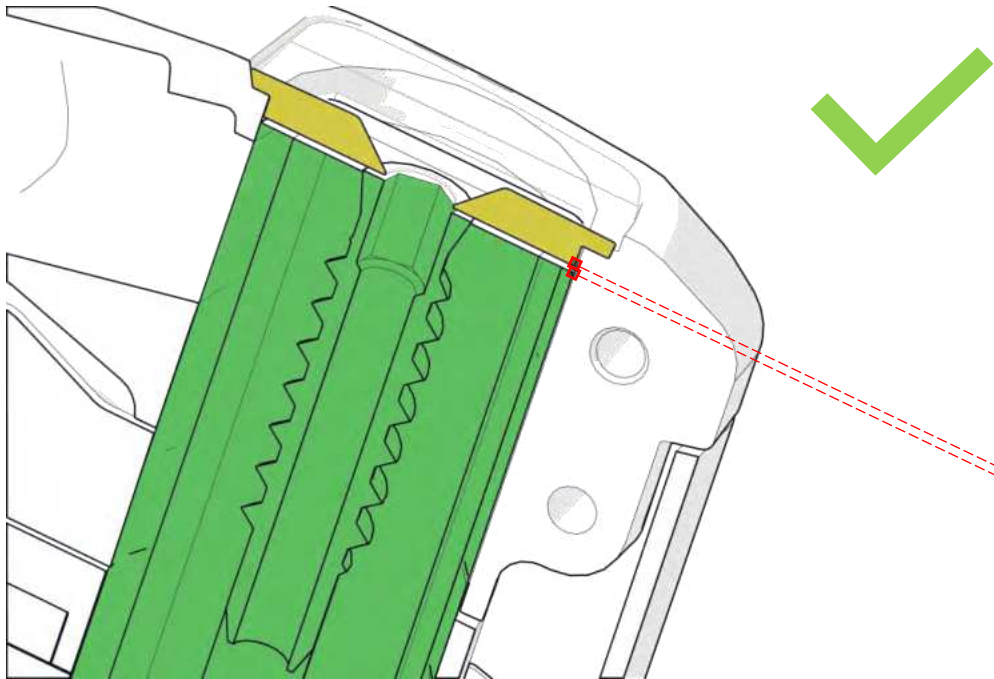


## Function check:

- Install the fork, the headset, the stem and the topcap on the frame to check the headset functionality:

- ✓ The headset has no play
- ✓ The headset torque must be easily adjusted
- ✓ The stem does not compress the fork steerer when tightened

- If the steerer has not been cut correctly (i.e., it's too long for the chosen configuration), the top cap might be interfering with the steerer, not allowing the headset to be compressed.
- Shorten the steerer accordingly

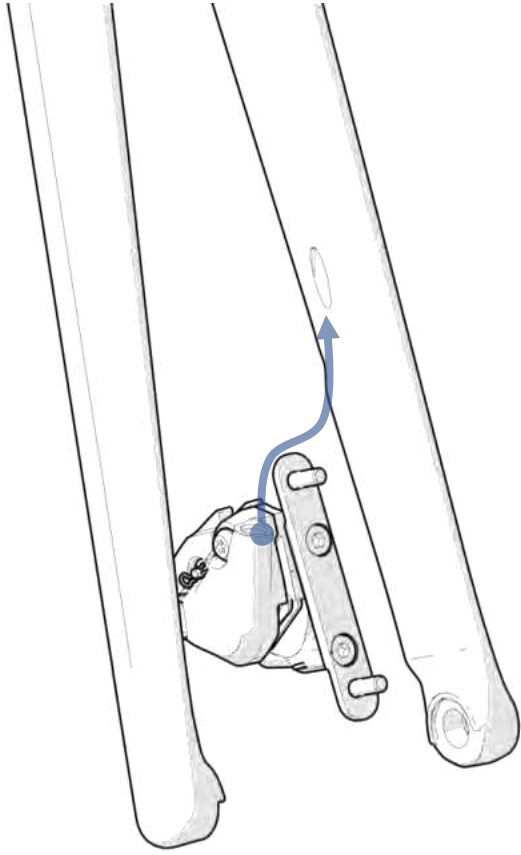


**Ensure 1mm gap between the steerer and the topcap with the topcap installed!**

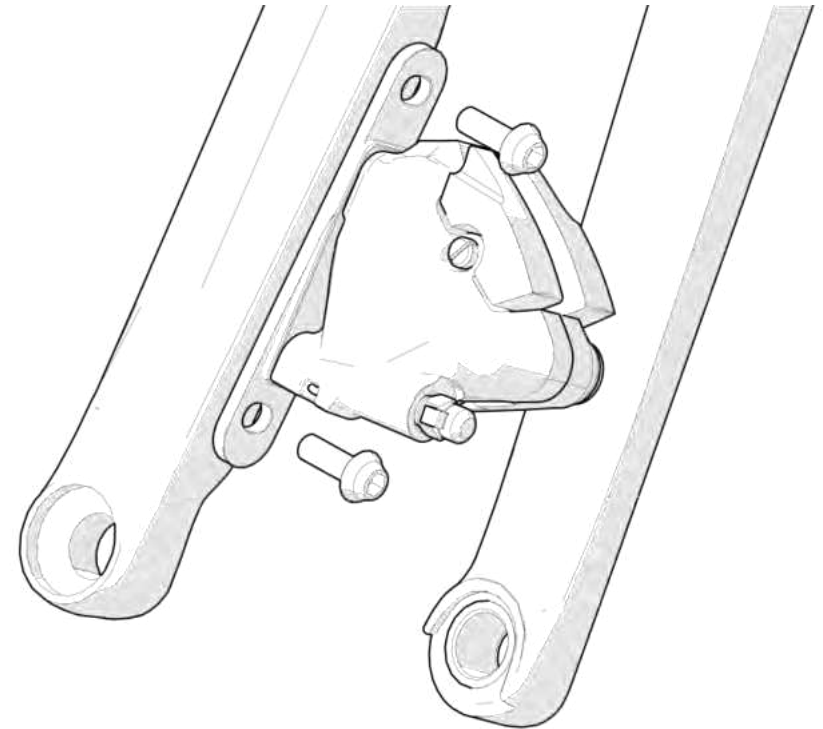
A close-up photograph of a person's hands working on a bicycle's brake assembly. The person is wearing a dark grey t-shirt. They are holding a black metal brake arm with a silver-colored metal fitting. A thin, light-colored cable is being inserted into the fitting. The background is a workshop with a wooden workbench and various tools. The text "BRAKE ASSEMBLY" is overlaid in white, bold, sans-serif font across the center of the image.

# BRAKE ASSEMBLY

- Guide brake hose into fork



- Attach the front brake to the fork



### Standard style brake assembly for ICS2

The front brake hose runs on the left side of the steerer tube



### UK style brake assembly for ICS2 and standard brake assembly for ICS Carbon

For UK style brake assembly and for ICS Carbon the front brake hose runs on the right side of the steerer tube

This is due to the fact that the cables cross to opposite side inside the ICS Carbon cockpit.





# **FORK INSTALLATION AND CABLE ROUTING**

2<sup>nd</sup> Generation ICS Cockpits

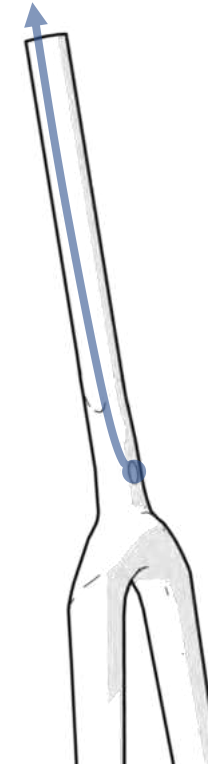
## Fork installation

- Install the lower headset bearing on the fork and slide it into the frame
- Make sure the rear brake hose runs on the right side of the fork steerer tube for standard ICS2 assembly.
- It's recommended to use electric tape to prevent the brake hose from moving inside the head tube.



- For countries with inverted brakes (e.g., UK) and for ICS Carbon/Carbon Aero, the rear brake hose runs on the left side of the steerer tube. Check the diagram in the next page for details.

- Install upper headset bearing and cone
- The bearings need to be greased!



# ICS Carbon / Carbon Aero Cockpits cable routing

## ICS Carbon / Carbon Aero Standard Assembly

1. Rear Brake routing
2. Front Brake routing
3. Shimano Di2 cables

## ICS Carbon / Carbon Aero Inverted Assembly (UK)

1. Front Brake routing
2. Rear Brake routing
3. Shimano Di2 cables



## ICS Carbon / Carbon Aero Standard Assembly

1. Rear Brake routing
2. Front Brake routing
3. Shimano Di2 cables

## ICS Carbon / Carbon Aero Inverted Assembly (UK)

1. Front Brake routing
2. Rear Brake routing
3. Shimano Di2 cables

# ICS Stems cable routing





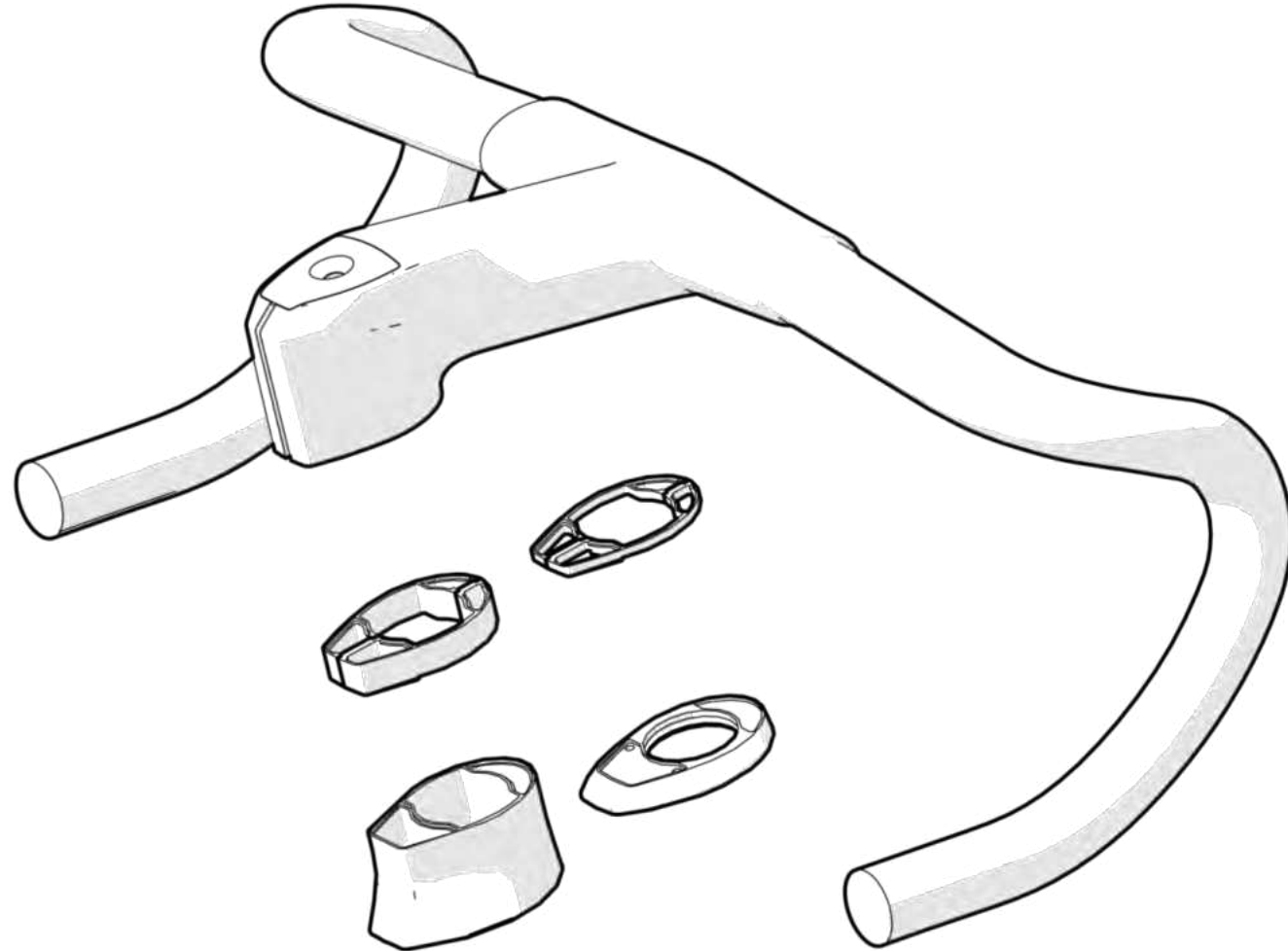


# ICS Carbon Cockpits

ICS Carbon & ICS Carbon Aero Cockpit Installation

Prepare the top cap and spacer/top cone configuration based on which the steerer has been cut.

1. Select High or Low top cone
2. Select amount / height of Spacers

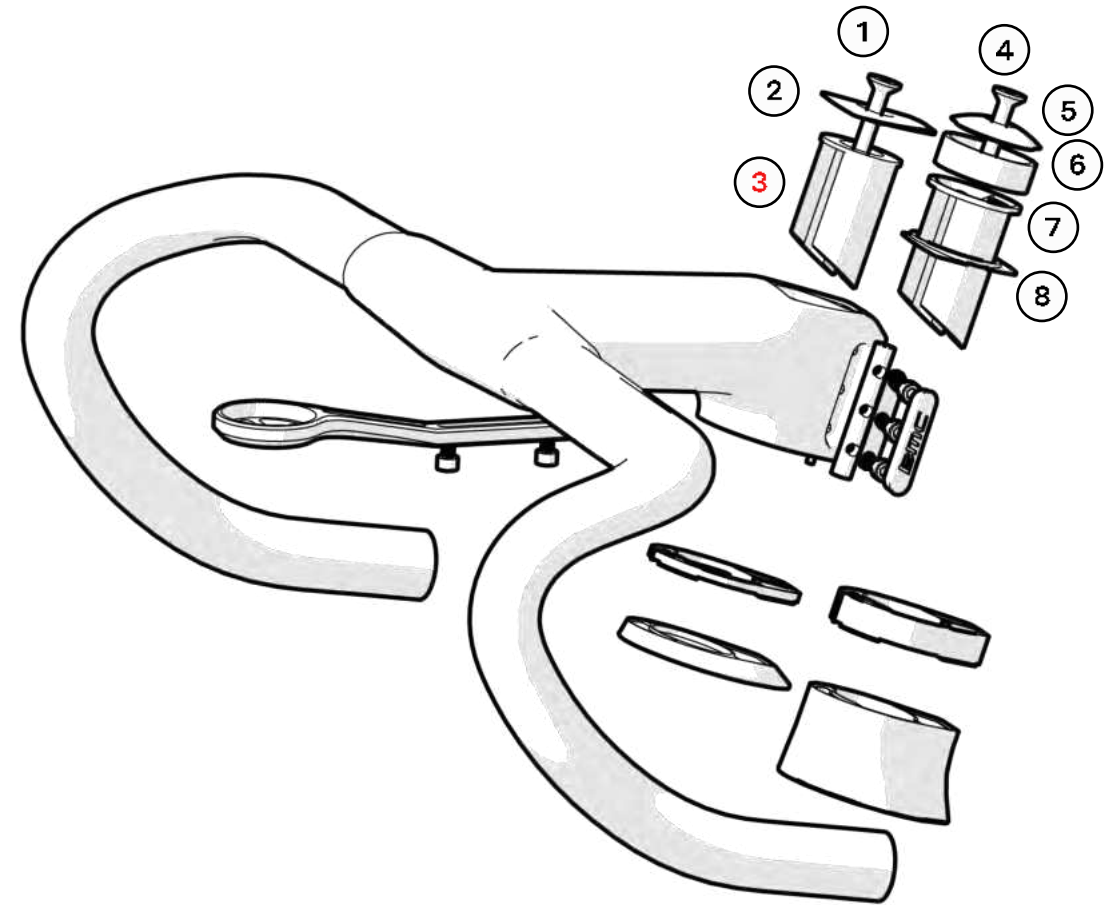


2<sup>nd</sup> generation ICS Cockpits and Stems feature shaped headset top caps for a cleaner look and can be setup in 2 different configurations.

1. The **flush configuration** provides a perfectly integrated look when the rider knows is ideal fit and decides to cut the fork steerer to a definitive length.
2. If the final fit has not yet been determined, the **open configuration** allows to easily adjust the cockpit height simply adjusting the interlocking spacer stack, the steerer does not have to be cut and round spacers can be used above the stem or cockpit to adjust the headset tension.

***Important Note:***

***Make sure the steerer wedges are installed before the top caps on ICS Carbon***



**Flush configuration**

1. Bolt
2. Flush top cap
3. Steerer wedge

**Open configuration**

4. Compression bolt
5. Round top cap
6. Standard spacer
7. Lipped steerer wedge for round spacers
8. Shaped top cap for round spacers



Slide the topcone over fork steerer and hoses.

- Install the spacers
- The two halves of the spacers must well connect and engage with a click



- The two halves of the spacers are not identical!

Ensure the concave face is facing up and the convex one is facing down

- Spacers are locked applying pressure

Spacers can be connected only when correctly oriented



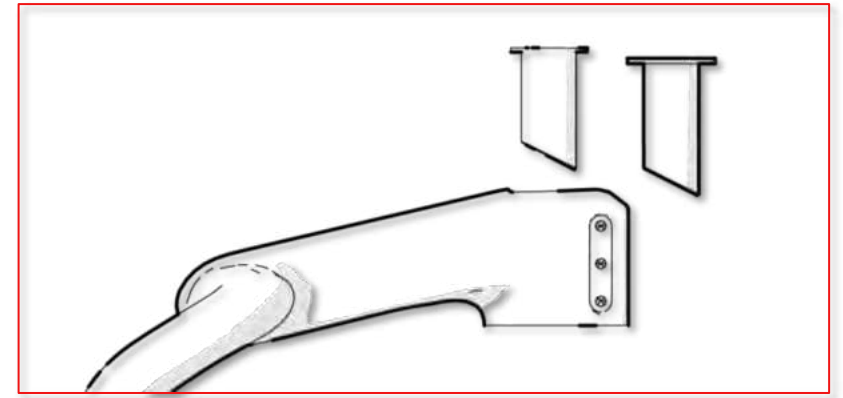


Run the cables through the cockpit using the cable liners supplied or a specific tool for internal cable routing:

Please refer to the ICS Carbon video manual for clear instructions

## Install the steerer wedges

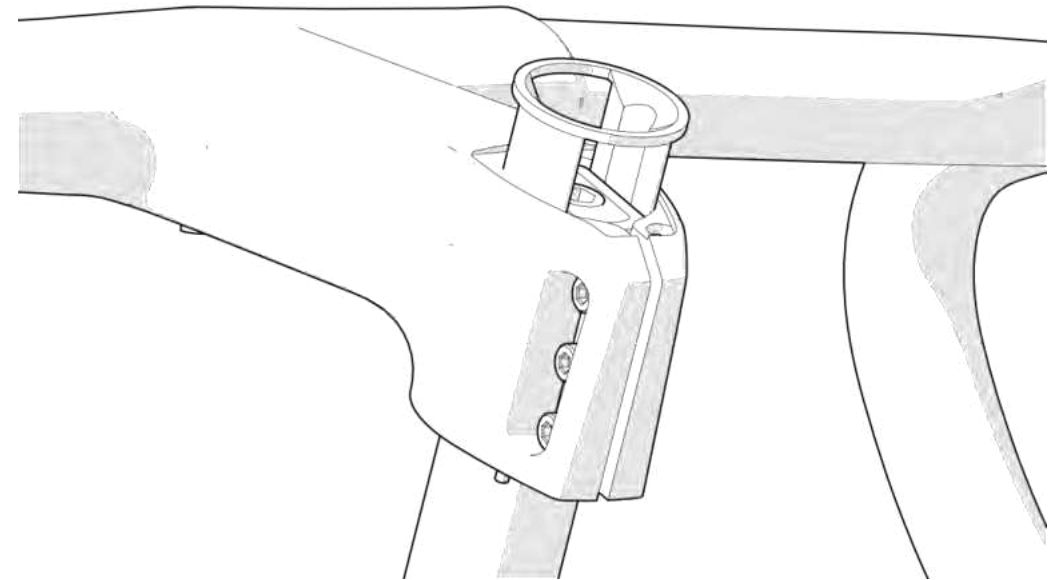
- Ensure you are using the correct wedge for open or closed topcap configuration (illustration below)
- Make sure the wedges are aligned correctly (illustration on the side)



*Closed Top Cap*



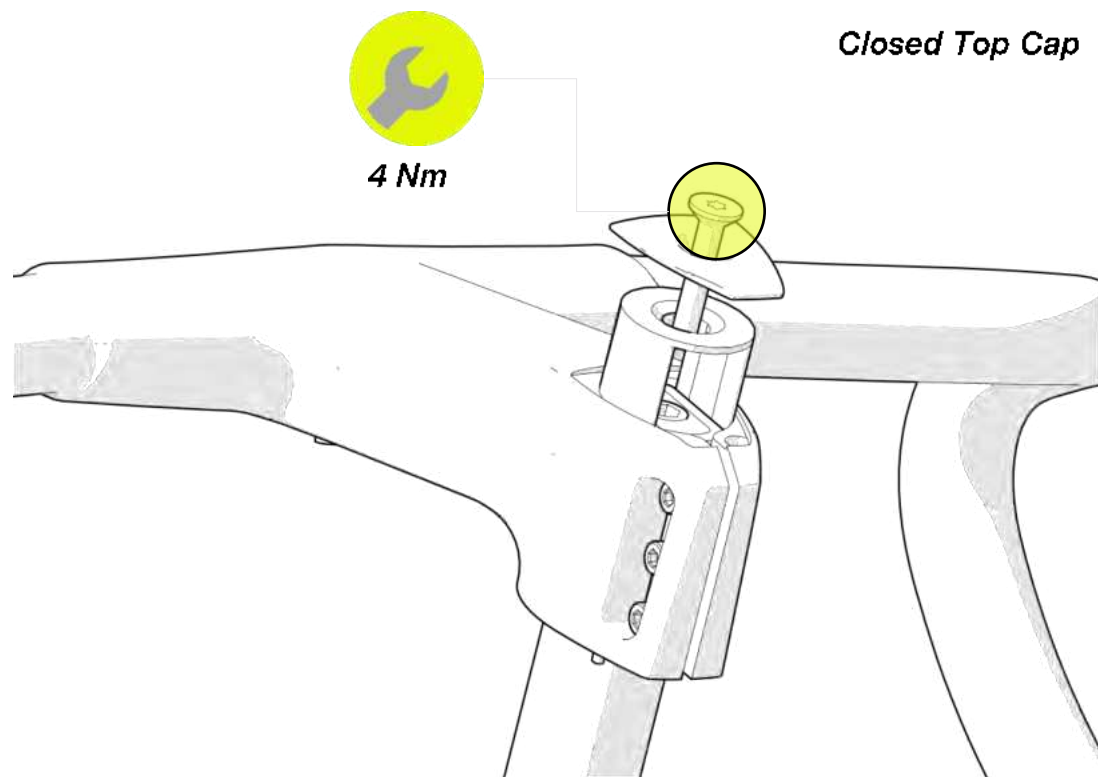
*Open Top Cap*



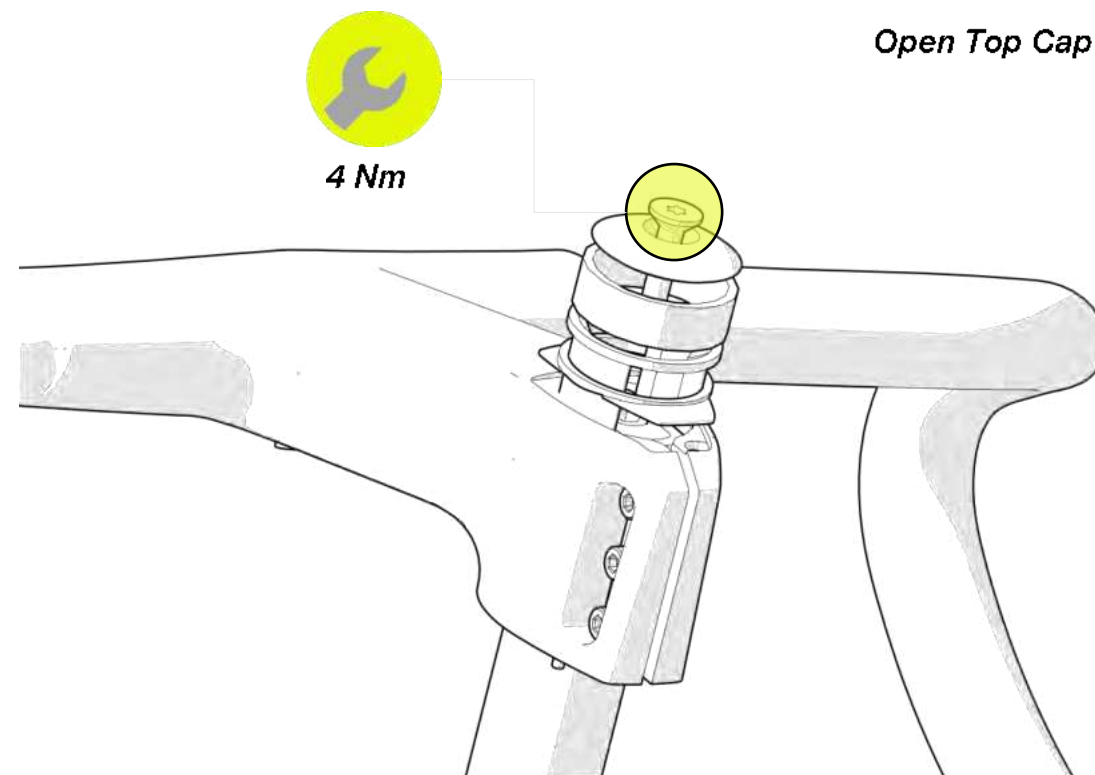
Install the top cap for the selected configuration

Tighten the headset with 4 Nm Torque

- Flush Configuration



- Open Configuration





- Tighten the bolts alternately in order to apply torque evenly
- Apply 3 Nm of torque



- Install the bolt cover





ICS2

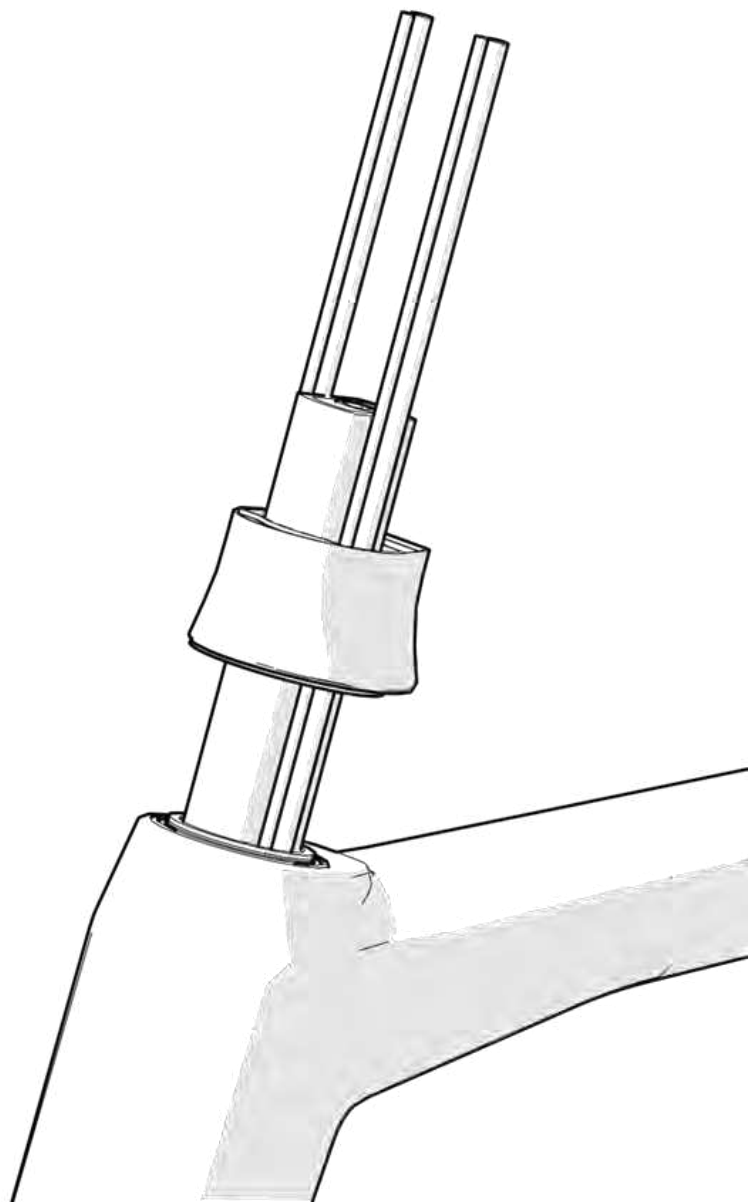
ICS MTT

ICS 01

ICS 01 0°

Stem Installation

Instructions for 2-piece ICS system



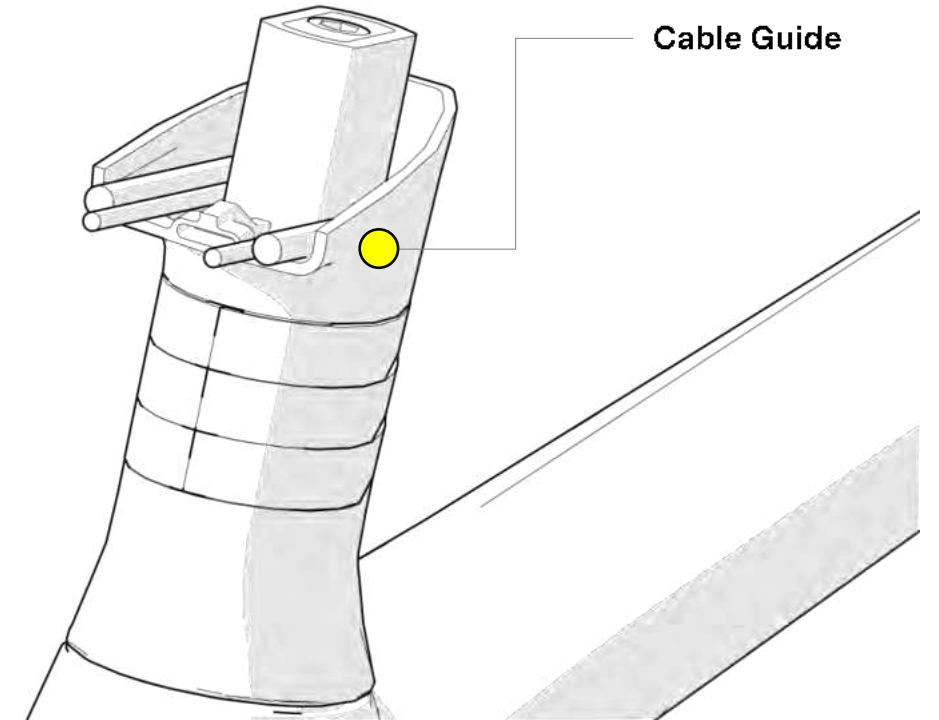
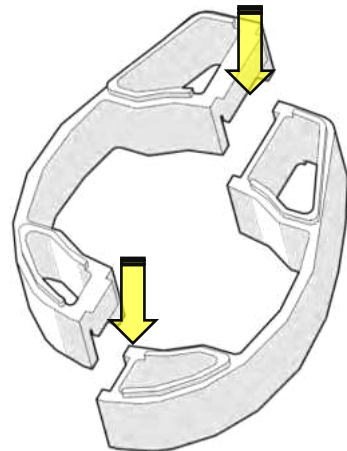
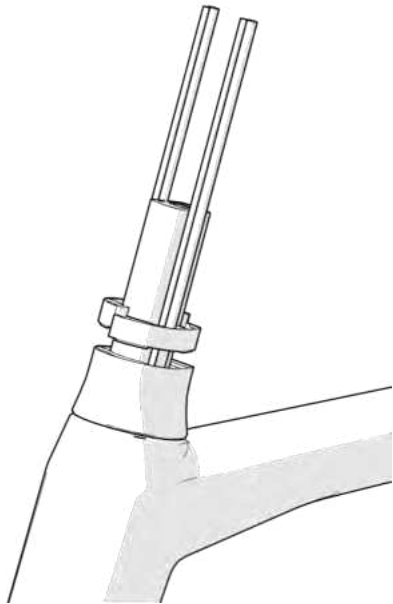
Slide the topcone over fork steerer and hoses.

- Install Spacers
- The two halves of the spacers must well connect and engage with a click

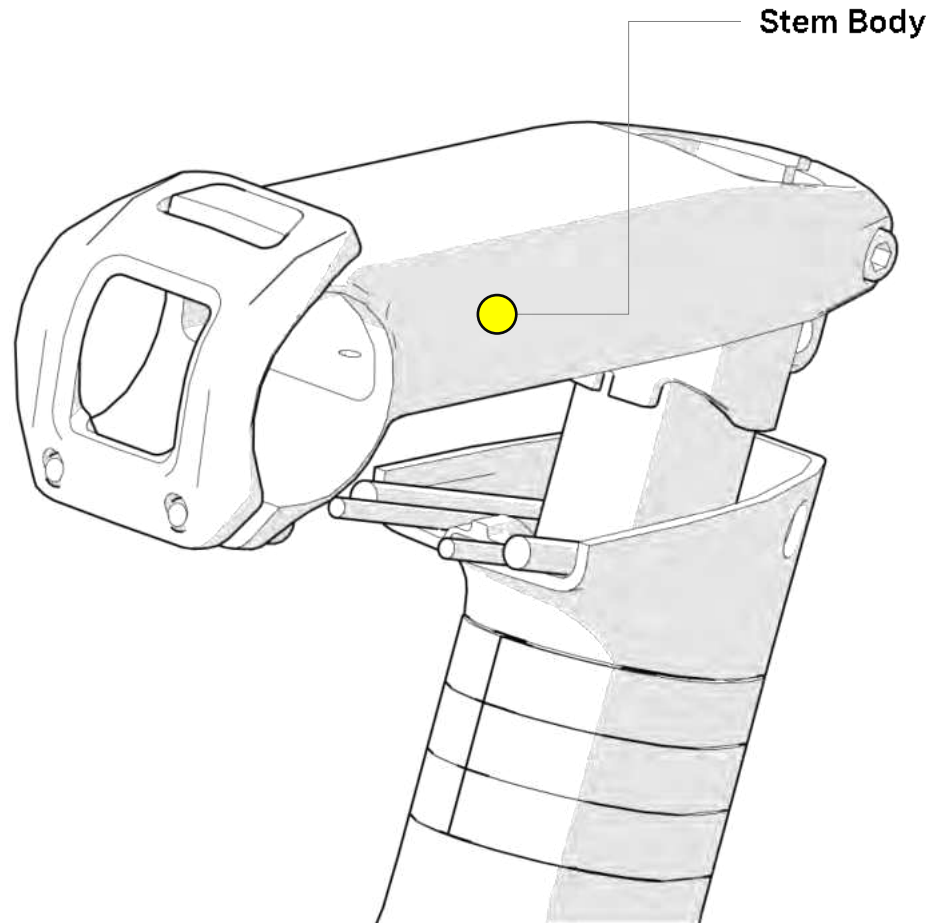
### Install cable guide

Make sure the brake lines don't get squeezed between the spacers, cable guide or stem. This could damage the brake lines.

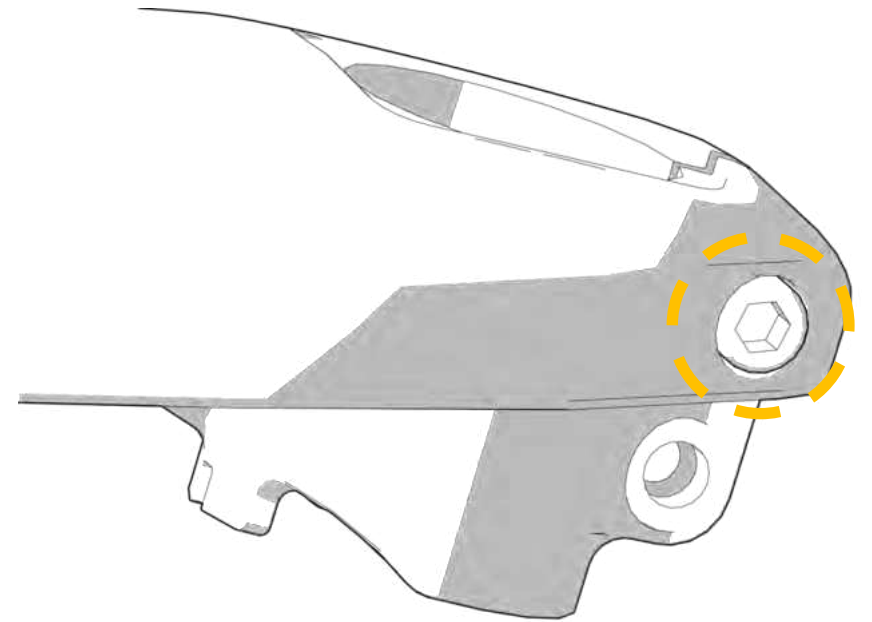
- The two halves of the spacers are not identical!  
**Ensure the concave face is facing up and the convex one is facing down**
- Spacers are locked applying pressure  
**Spacers can be connected only when correctly oriented**



Install stem body



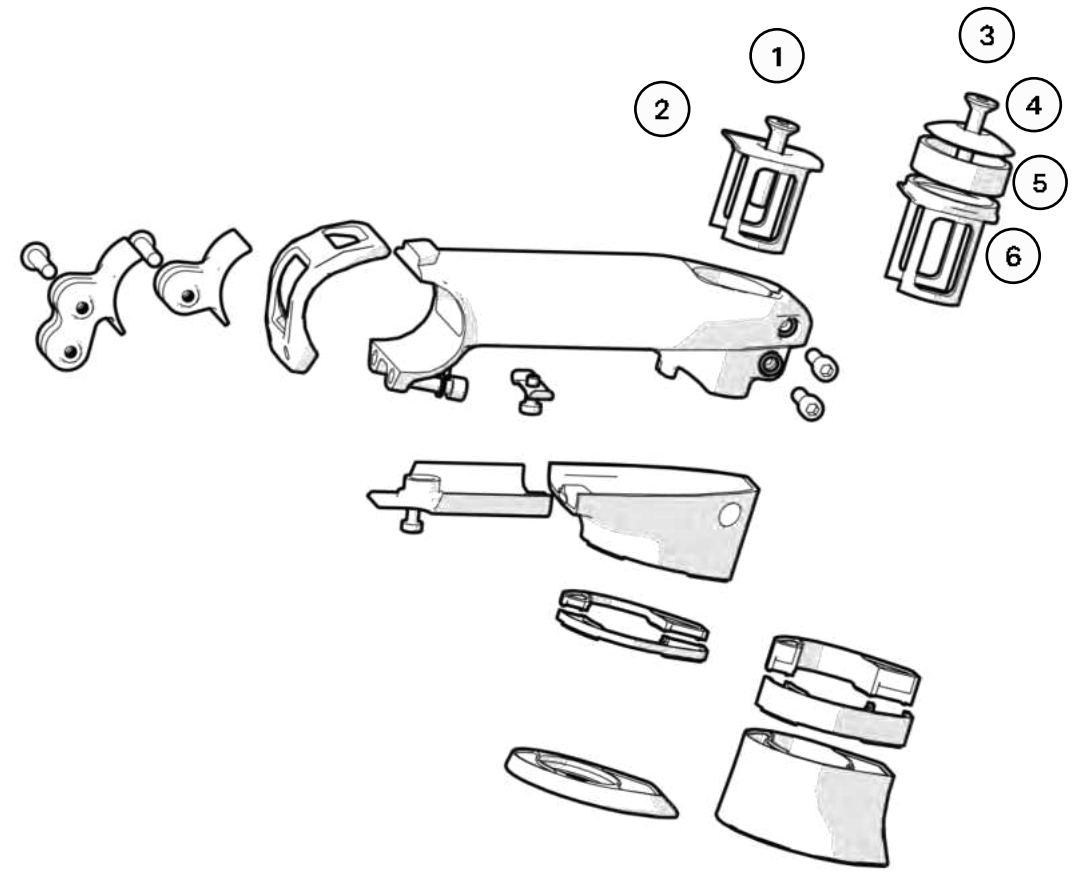
ICS2: make sure that only the upper stem bolt is installed in the stem body at this point.



## Install the top cap and spacer/top cone configuration you have selected when cutting the steerer

2<sup>nd</sup> generation ICS Cockpits and Stems feature shaped headset top caps for a cleaner look and can be setup in 2 different configurations.

1. The **flush configuration** provides a perfectly integrated look when the rider knows is ideal fit and decides to cut the fork steerer to a definitive length.
2. If the final fit has not yet been determined, the **open configuration** allows to easily adjust the cockpit height simply adjusting the interlocking spacer stack, the steerer does not have to be cut and round spacers can be used above the stem or cockpit to adjust the headset tension.



### Flush Configuration

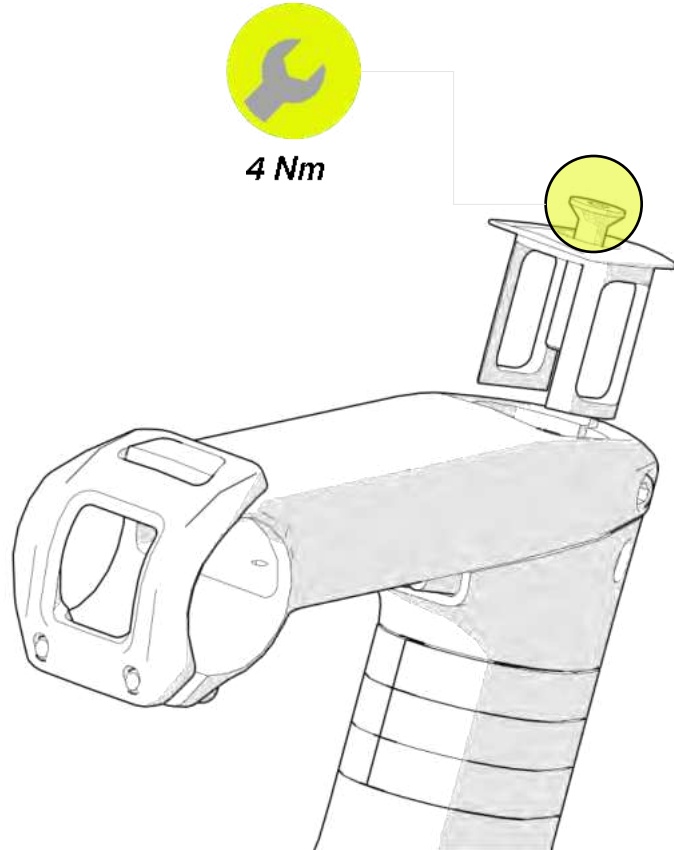
1. Compression Bolt
2. Flush Top Cap

### Open Configuration

3. Compression Bolt
4. Round Top Cap
5. Standard Spacer
6. Lipped Steerer wedge for Round Spacers

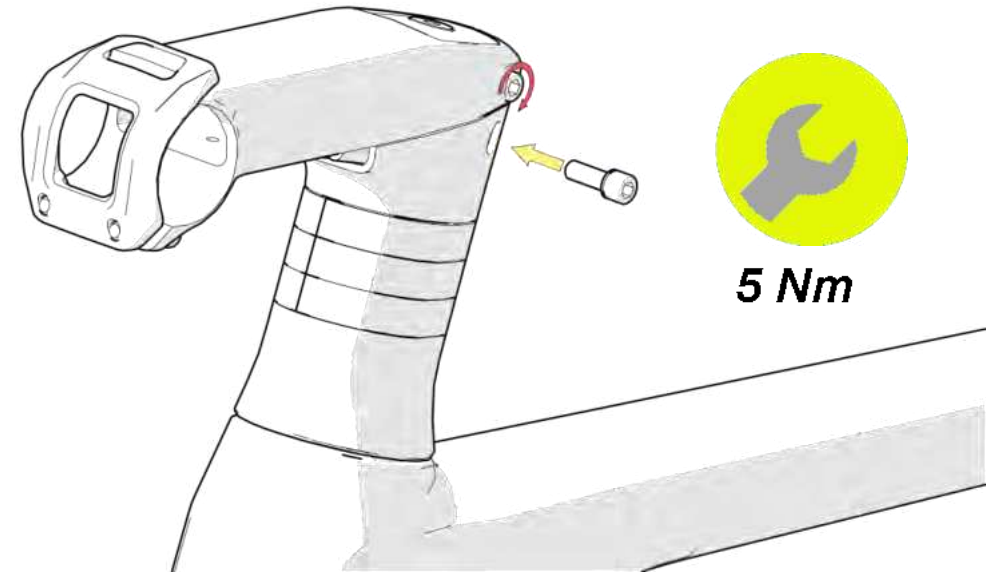
Install topcap and adjust headset play-free

**4 Nm**



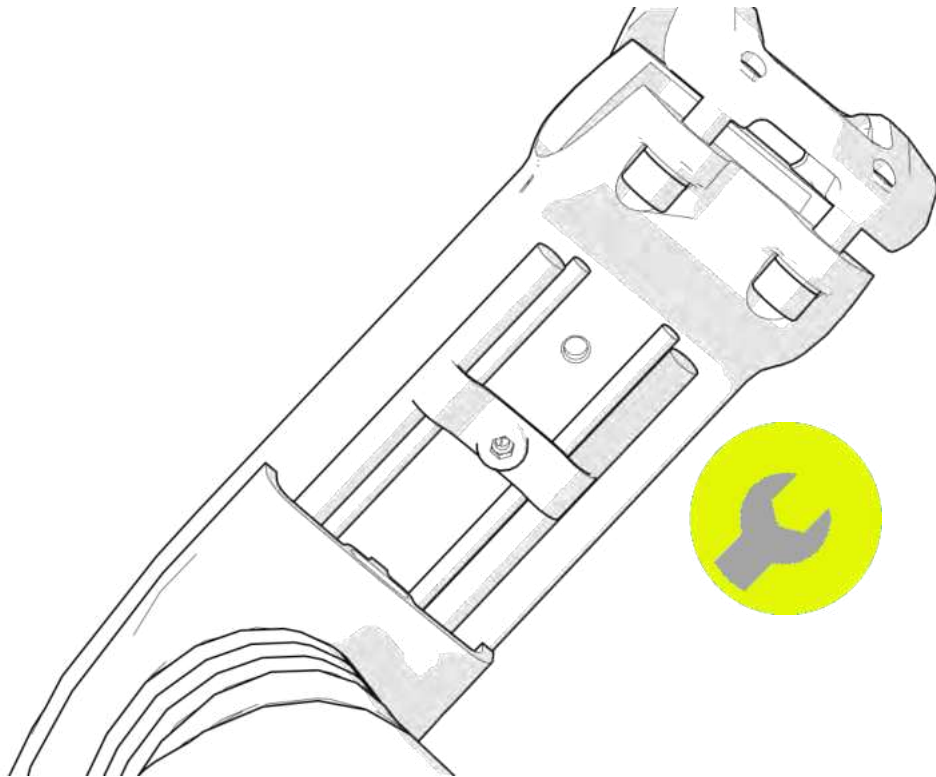
Install lower stem bolt and tighten both bolts with

**5 Nm**



Attach cable in the stem using the cable clip

- Tighten at 2Nm



Install cover

- Tighten at 2Nm





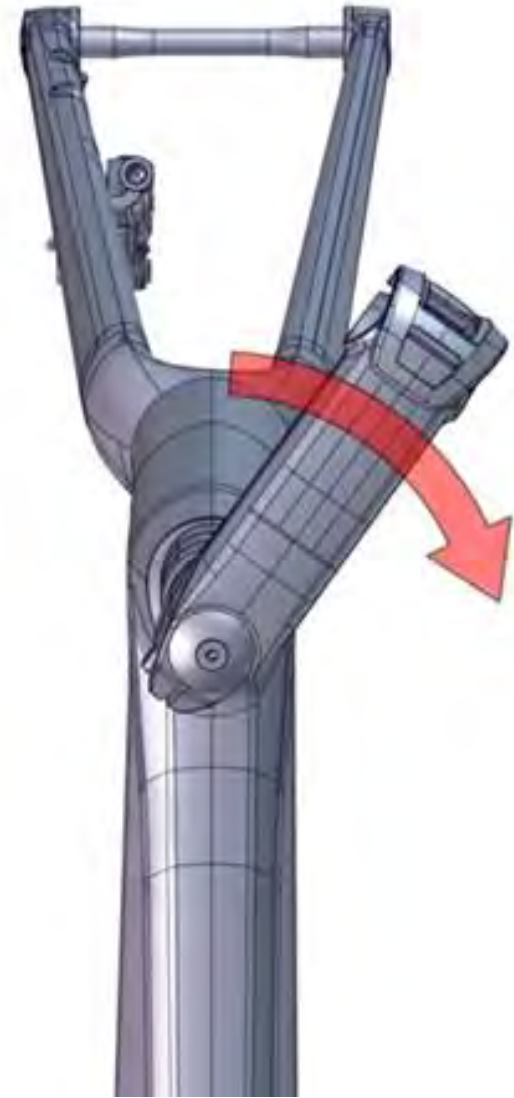
Connect the brake hoses with the levers and proceed with a brake bleed following the brake manufacturer's guidelines.



ATTENTION:

Do never rotate the handlebar and stem relative to the Fork!

This would damage the internal brake hoses.



The image shows a black suspension stem assembly for a bicycle, positioned diagonally. In the foreground, there are several small, colored elastomer spacers arranged in a row. The spacers are color-coded: two black, two dark green, two blue, two orange, and two yellow. The text 'ICS MTT x Redshift Suspension Stem' is overlaid in white, bold font, and 'Elastomer Configuration' is overlaid in white, regular font below it.

# ICS MTT x Redshift Suspension Stem

Elastomer Configuration

# CUSTOMISATION

The ICS MTT suspension Stem can be customized to provide a different feel by changing the elastomer configuration:



- Softer Elastomers: plusher riding feel, reduced terrain feedback
- Harder Elastomers: direct riding feel, more terrain feedback

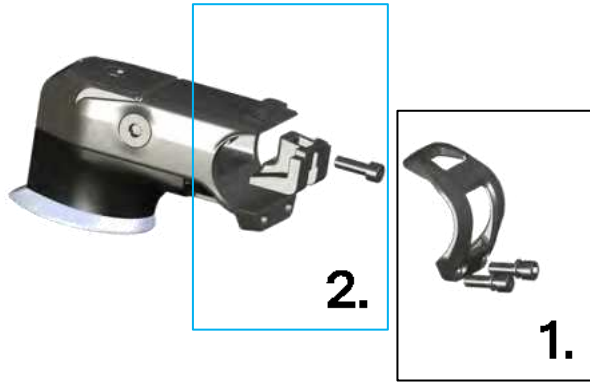
The ICS MTT Suspension Stem's stock configuration varies based on length:

| Stem Length   | Elastomer combination<br>(Elastomer 1-Elastomer 2) |
|---------------|--|
| 72mm          | 60-70  |
| 80mm & 90mm   | 70-90  |
| 100mm & 110mm | 80-90  |

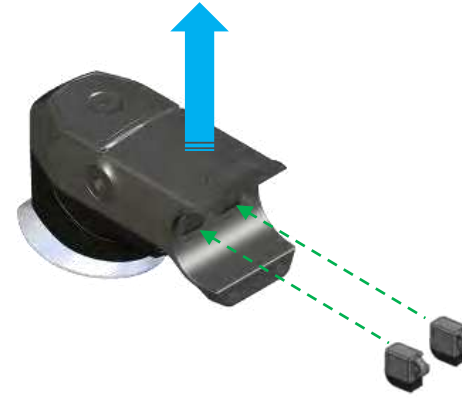
The elastomer combinations can be freely mixed and matched, a list of suggestions are shown below:

| Drop Handlebars  |         |             |             | Flat Handlebars  |         |             |             |
|--|---------|-------------|-------------|--|---------|-------------|-------------|
| Rider Weight   |         | Elastomer 1 | Elastomer 2 | Rider Weight   |         | Elastomer 1 | Elastomer 2 |
| lbs  | kg      |             |             | lbs  | kg      |             |             |
| < 115  | < 52    | 60          | 50          | < 135  | < 61    | 50          | none        |
| 115 - 135  | 52 - 61 | 70          | 50          | 135 - 185  | 61 - 84 | 60          | none        |
| 135 - 155  | 61 - 70 | 70          | 60          | 185 - 215  | 84 - 98 | 70          | none        |
| 155 - 185  | 70 - 84 | 80          | 50          | > 215  | > 98    | 60          | 50          |
| 185 - 205  | 84 - 93 | 80          | 70          |  |         |             |             |
| > 205  | > 93    | 90          | 50          |  |         |             |             |

# CHANGING THE ELASTOMER CONFIGURATION

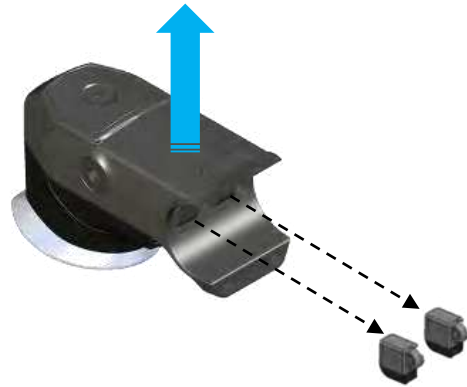


1. Loosen and remove the faceplate bolts
2. remove the faceplate and handlebar (if installed).
3. Loosen and completely remove the preload bolt and wedge.



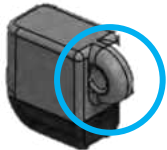
5. Select an elastomer combination from the chart on the previous page and insert the appropriate elastomers into one or both upper elastomer pockets.

- It may help to push the stem body to the top of its travel while inserting the elastomers.



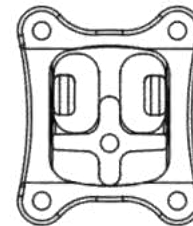
4. Pull upward on the stem and remove the elastomers from inside the stem.

- You may need to use the small end of your hex wrench to hook the handle of the elastomer to pull it out.

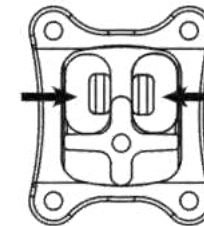


- Be sure to insert the elastomers in the orientation shown below (handle towards the outside), so as not to interfere with the preload wedge installation.

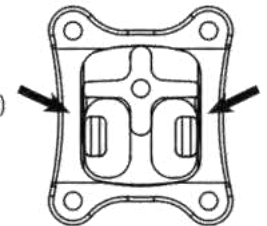
✓  
Elastomer handle(s)  
outside.  
Elastomer(s) above  
support.



✗  
Elastomer  
handle(s)  
inside



✗  
Elastomer(s)  
below  
support



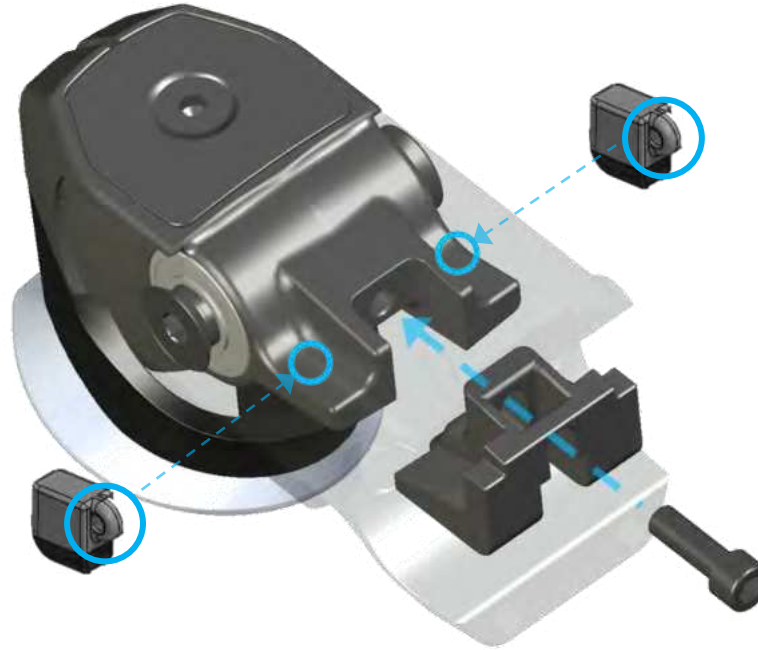
# CHANGING THE ELASTOMER CONFIGURATION



6. To re-install the preload wedge, apply downward force to the end of the stem tube



8. Apply grease to the faceplate bolts and ensure that a washer is installed beneath the head of each bolt.
9. Position the handlebar in the stem and install the faceplate by lightly tightening the faceplate bolts.
10. Rotate the handlebar to the desired angle and tighten the faceplate bolts gradually (1/4 turn at a time) to a torque of 5.0 Nm.



7. Align the preload bolt with the threaded hole inside the stem body. Keeping the bolt head as low and centred as possible, begin turning the preload bolt.
- If you encounter resistance in the first turn, unscrew the bolt and try again: cross-threading may occur if the when engaging the threads bolt is not aligned with hole.



# Technical Manual

1st Generation ICS Stems

- ICS Aero
- ICS01
- ICS01 0°

## Stem Parts\*

### Integrated Cockpit Stem (ICS01)

|                                 |   |
|---------------------------------|---|
| ICS01 Stem (90/100/110/120/130) | 1 |
| Stem Faceplate                  | 2 |
| Cable guide                     | 3 |
| Stack spacers                   | 4 |
| IC Fork inserts                 | 5 |
| Cable cover                     | 6 |
| Cable clamp                     | 7 |
| Di2 Junction A mount (optional) | 8 |



\* The stem assembly is identical for ICS01, ICS01 0° and ICS01 Aero



## Frameset Assembly

### Cable Routing

#### Brakes

Start the housing routing at the caliper and pass to the front

The rear brake hydraulic housing will pass UNDER the bottom bracket

Install the provided foam sleeve on the rear brake housing in the downtube

It is recommended to assemble the caliper-end hydraulic system (connector insert, olive, and inserting the threaded connector bolt) – this will help hold the hose in place during future assembly steps



# Frameset Assembly

## Cable Routing

### Drivetrain

- Install proper DTi frame fittings for your frame and drivetrain

In the case of electronic systems, we strongly recommend assembling the system and checking all connections before routing cables through the frame.

### Electronic Drivetrain



**Downtube covers**

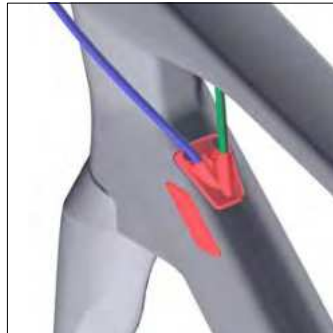


**Rear derailleur cable exit**



**BB cover**

### Mechanical Drivetrain



**Drivetrain housing exit**



**Rear derailleur cable stop**



**Rear derailleur cable stop**

# Frameset Assembly

## Preparing and installing fork

- Install the headset components, cable guide, stem, and steerer inserts.
- Gently compress the system together and tighten the stem steerer tube clamp bolt gently.

### Warning

Tightening the stem steerer clamp bolt without installing the steerer spacers can compromise the integrity of the steerer tube, potentially leading to serious injury.

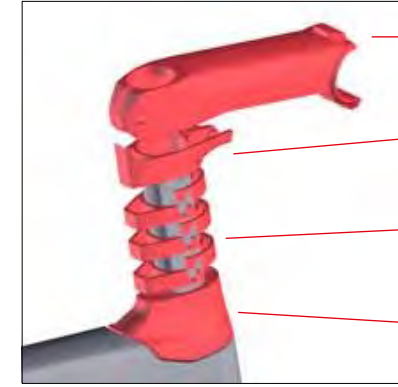
- Using a felt-tipped marker, make a mark on the steerer tube at the top of the stem.
- After verifying handlebar position, and marking stem height, uninstall the fork and headset from the frame.



- Install steerer compression ring
- Install upper bearing
- Install lower bearing & fork



**INSTALL STEERER SPACERS BEFORE TIGHTENING STEM CLAMP!**



- Install stem
- Install cable guide
- Install spacers
- Install headset top cap



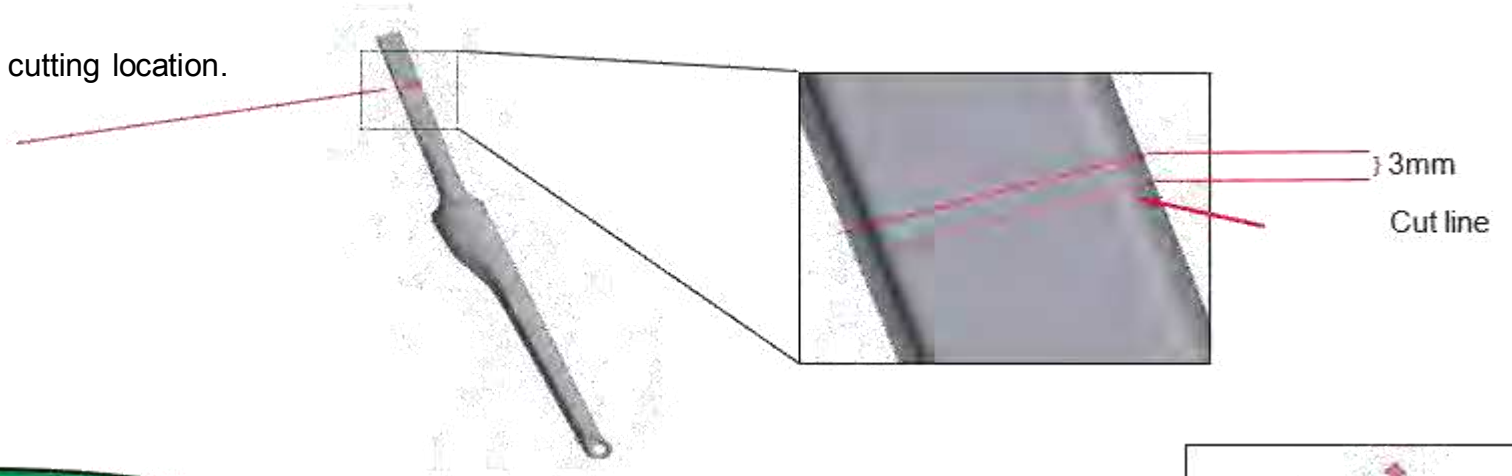
- Mark steerer at top of stem

# Frameset Assembly

## Fork Cutting

- Use the mark on the steerer tube to assign a proper cutting location.

**Cut the steerer tube 3mm below the mark!**



## Install self-tapping compression nut

- The 01 IC Fork comes with an internal channel which receives a self-tapping compression nut.
- Install the self-tapping compression nut, making certain it remains aligned with the steerer
- Tighten until the top of the compression nut is flush with the top of the fork



## Route brake housing

- Route the housing through the internal guide, starting at the axle dropout and working towards the steerer tube.
- It is recommended to assemble the caliper-end of the hydraulic system (connector insert, olive, and inserting the threaded connector bolt) – this will help hold the hose in place during future assembly steps.



## Installing headset and ICS Stem

- Install the fork and headset using grease on all contact surfaces
- Arrange and align cable routing, brake lines can be positioned in the opposite position (Left – Rear, Right – Front)
- Install headset top cone (high or low stack) and spacers
- Install stem cable guide and gently position cables downward
- Install ICS Stem and steerer tube inserts
- Install top cap and compression bolt

**3Nm max torque**

- Install stem steerer clamp bolt - grease required

**7Nm max torque**

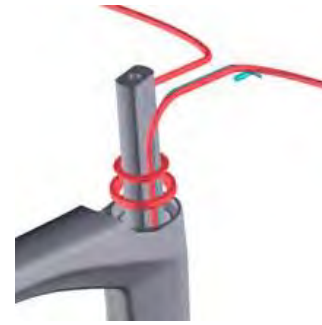
- Install stem cable clamp
- Install stem cable cover
- Install optional Di2 Junction Box

## Completing the assembly

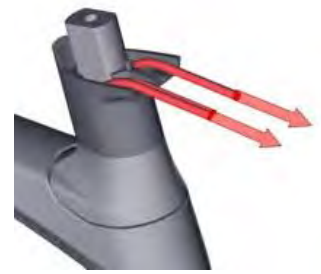
- Assemble and adjust brake and drivetrain equipment per manufacturer's instructions



Route the front brake housing to the non-drive side



Install bearings and compression ring – cables will sit securely on flat sides of steerertube



Install top cone, spacers and cable guide  
Gently fold cable downward



Install stem and steerer inserts



Install top cap and compression bolt



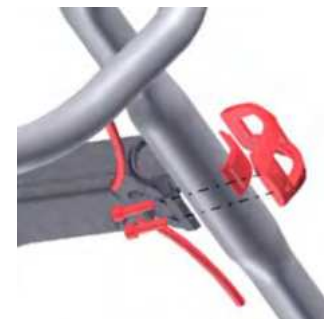
Install stem steerer clamp bolt - grease required!



Install cable clamp, cable cover and Di2 junction box mount (optional)



Install faceplate and faceplate cover  
make sure the top faceplate 'puzzle' clamp is securely engaged



Install Di2 junction box (optional)

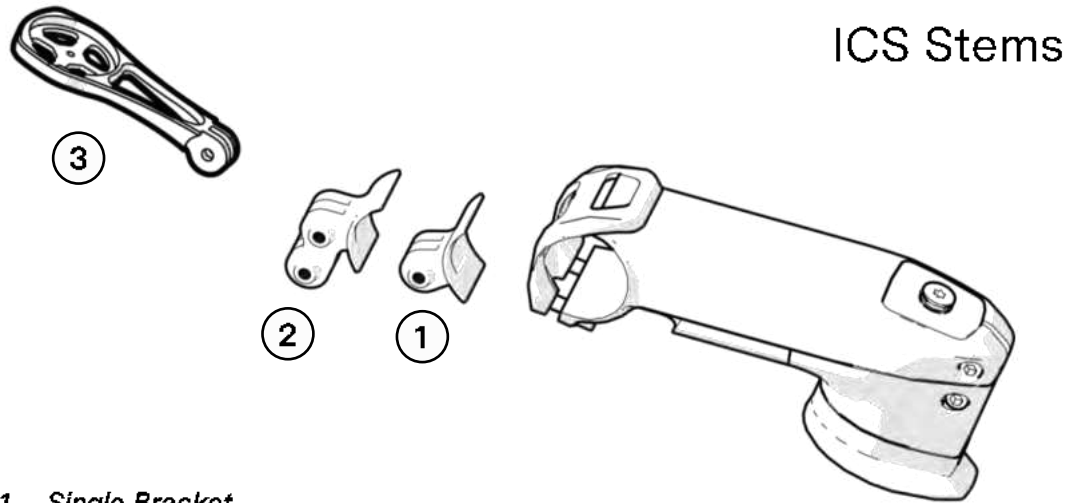
A close-up photograph of a bicycle handlebar. The handlebar is wrapped in black, textured grip tape. A smartphone is mounted horizontally on the handlebar using a black mounting bracket. Below the smartphone, a GoPro camera is also mounted on the handlebar. The background is a dark, out-of-focus grey. The text "DEVICE MOUNTS" is overlaid in the center of the image in a white, bold, sans-serif font.

# DEVICE MOUNTS

## ICS Stems and ICS Aero

The alloy computer mount is compatible with all ICS Stems (1<sup>st</sup> and 2<sup>nd</sup> generation, including ICS Aero) and features Garmin and Wahoo inserts

- Single and Double brackets are available to allow the installation of additional devices that use the Go-Pro interface.
- The alloy brackets (nr.1, 2) are installed between the stem faceplate and the handlebar as shown in the illustration below
- **ICS Aero uses a specific mount since the ICS Aero Bar and ICS Aero Stem have different dimensions**



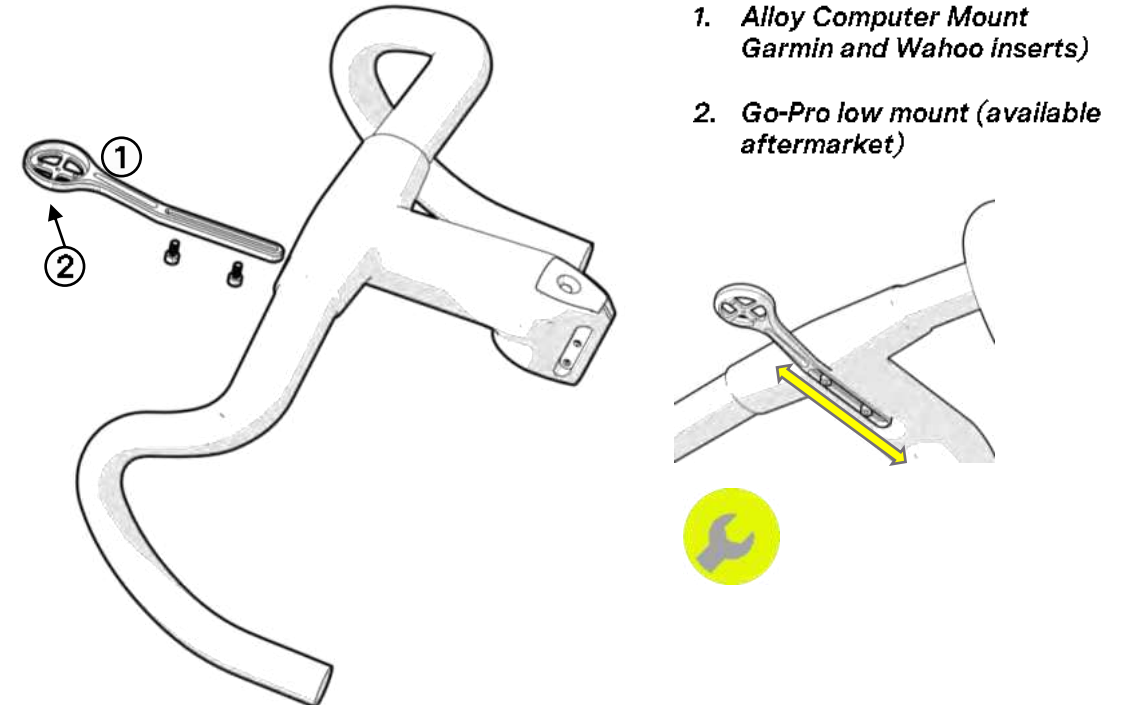
1. Single Bracket
2. Double Bracket
3. Alloy Computer Mount (Garmin and Wahoo inserts)

Correct installation of the alloy bracket



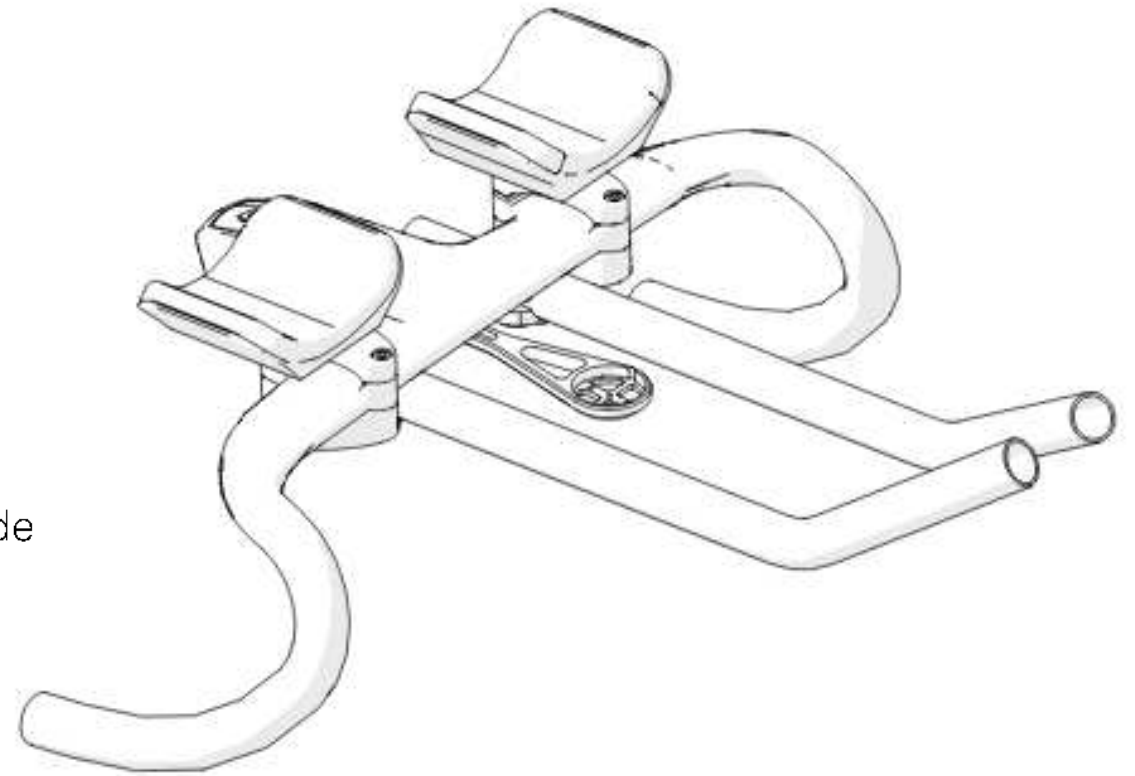
## ICS Carbon & ICS Carbon Aero

- The alloy computer mount features Garmin and Wahoo inserts and allows the installation of additional devices that use the Go-Pro interface.
- The Computer mount can be adjusted in order to adapt to different device sizes
- Note: the washers must be positioned between the bolt and the computer mount.
- Tighten at 2.5 Nm
- **The ICS Carbon Aero device mount has slightly different dimensions but identical features**



# ICS Aero & ICS Carbon Aero Clip-On Extensions

Installation Guide

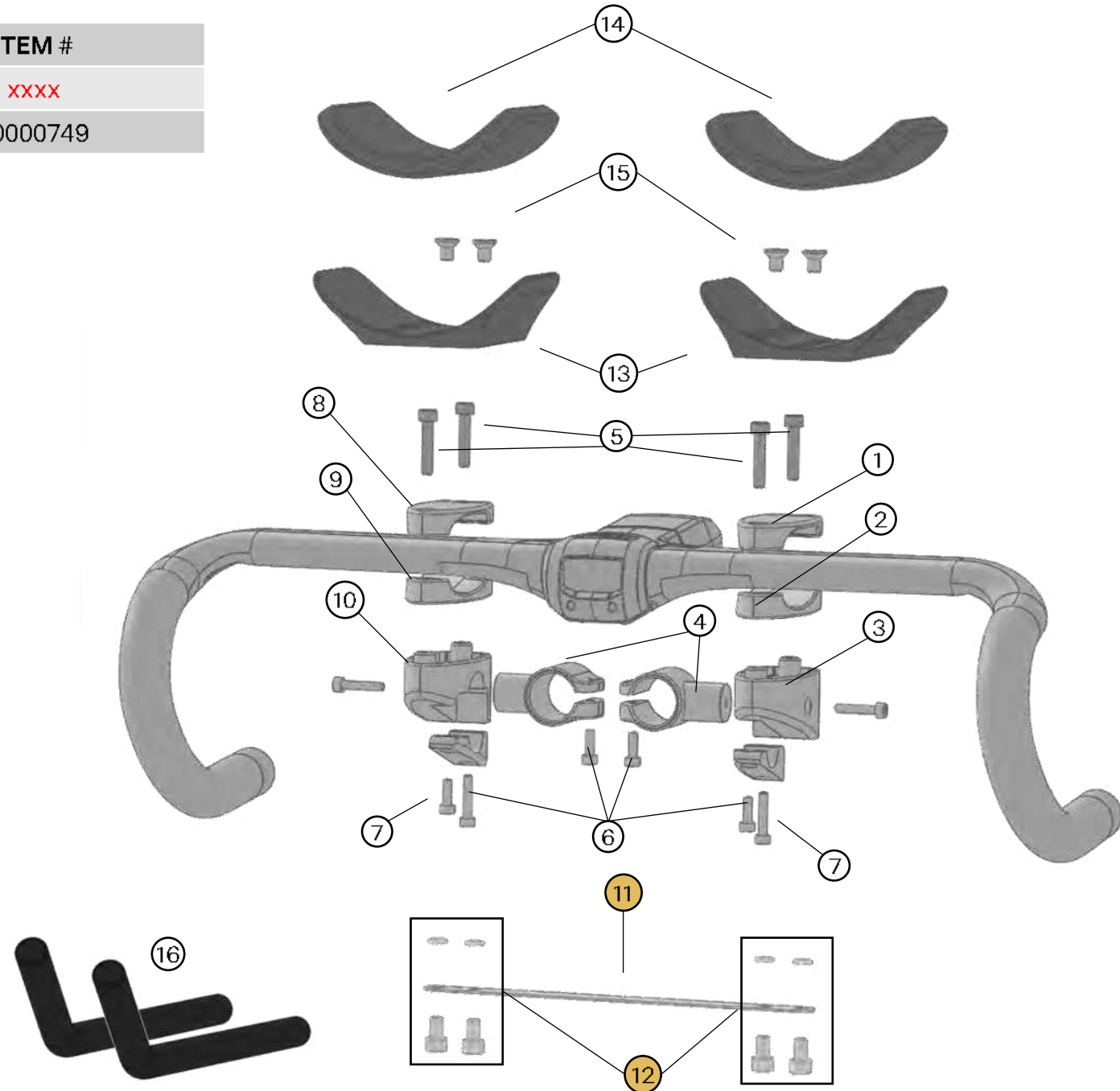




# PART LIST

|                 | ITEM #   |
|-----------------|----------|
| ICS CARBON AERO | XXXX     |
| ICS AERO        | 30000749 |

| NUMBER | PART   |
|--------|--|
| 1      | LEFT Upper Clamp<br>Marked As "L" On The Inner Face  |
| 2      | LEFT Lower Clamp<br>Marked As "L" On The Inner Face  |
| 3      | LEFT Extension Body                                  |
| 4      | Extension Clamps                                     |
| 5      | M5 X 25 (incl 5x8.5mm Washer)                        |
| 6      | M4x12 (incl. 4x7mm Washer)                           |
| 7      | M4x20 (incl. 4x7mm Washer)                           |
| 8      | RIGHT Upper Clamp<br>Marked As "R" On The Inner Face |
| 9      | RIGHT Lower Clamp<br>Marked As "R" On The Inner Face |
| 10     | RIGHT Extension Body                                 |
| 11     | Assembly Guide (remove after assembly)               |
| 12     | Assembly Guide Bolts (M6 X 12)<br>And O-ring 5.6x1.8 |
| 13     | Arm Rests  |
| 14     | Arm Pads   |
| 15     | M6 Bolt M6 X12                                       |
| 16     | Carbon Extensions                                    |



# MOUNTING OPTIONS

It is possible to mount the clip-on extensions in two different positions, reversing the position of the components:



1. LOW POSITION  
The extensions are positioned below the handlebar

# MOUNTING OPTIONS



## 2. HIGH POSITION

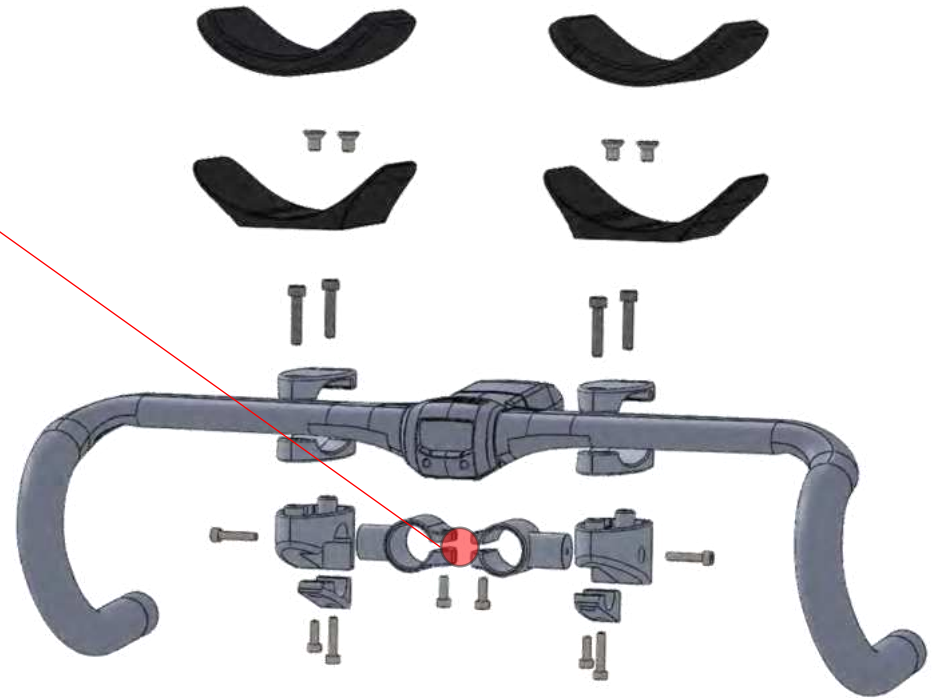
The extensions are positioned above the handlebar

# EXPLODED VIEWS

HIGH POSITION



LOW POSITION



## IMPORTANT NOTE

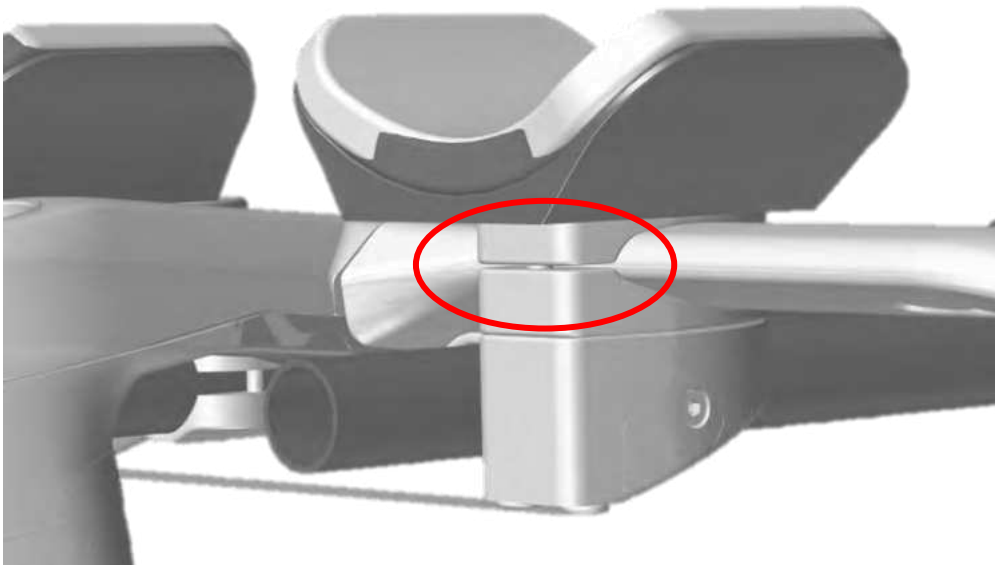
*Install the assembly guide to ensure the correct position of the tri extensions on the handlebar. The guide should be removed once the clip-on extensions are installed.*



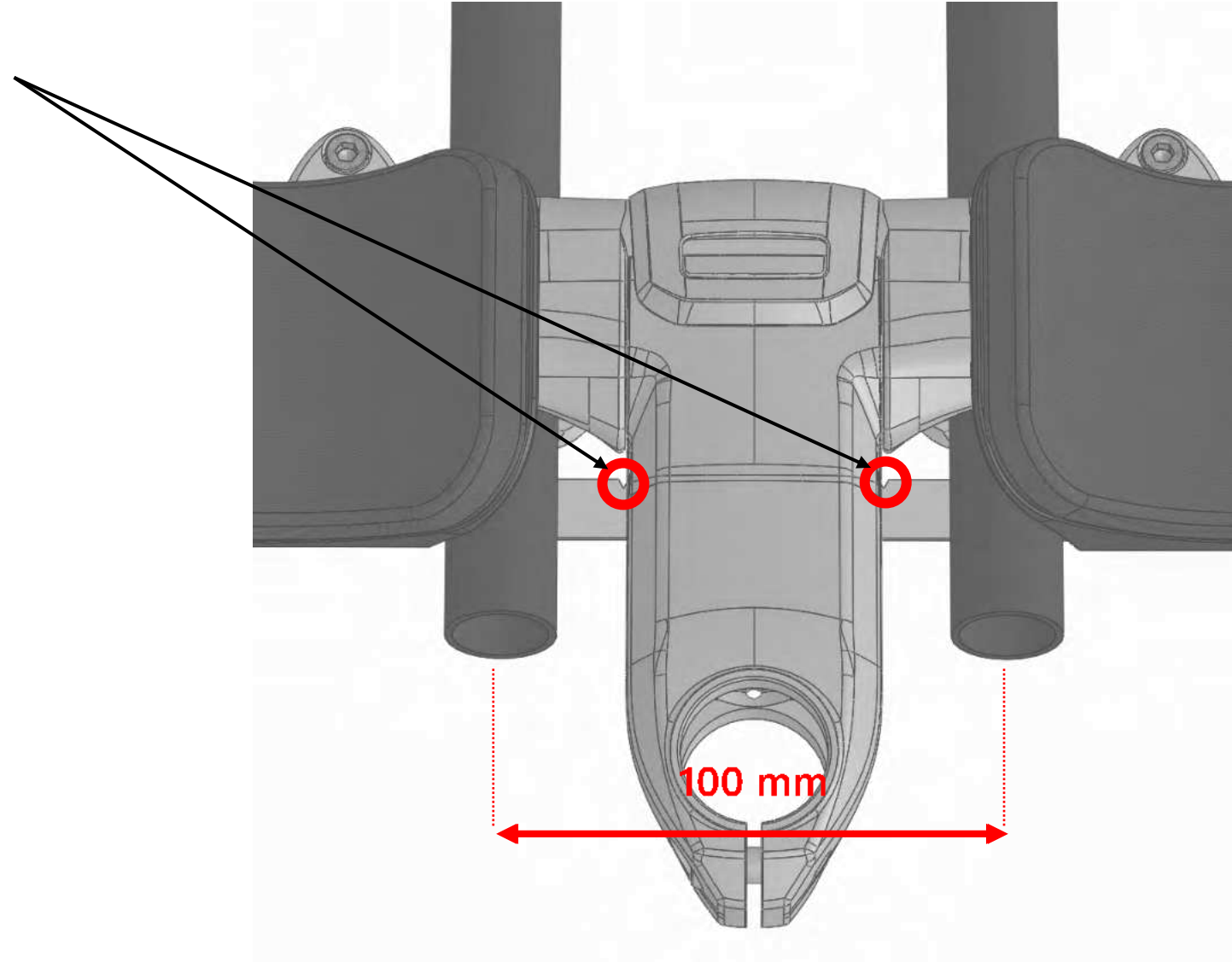
# INSTALLATION ON THE COCKPIT:

Use the notches on the assembly guide to ensure the correct positioning and centering of the handlebar clamps.

The center-to-center distance between the extensions is set at 100mm.



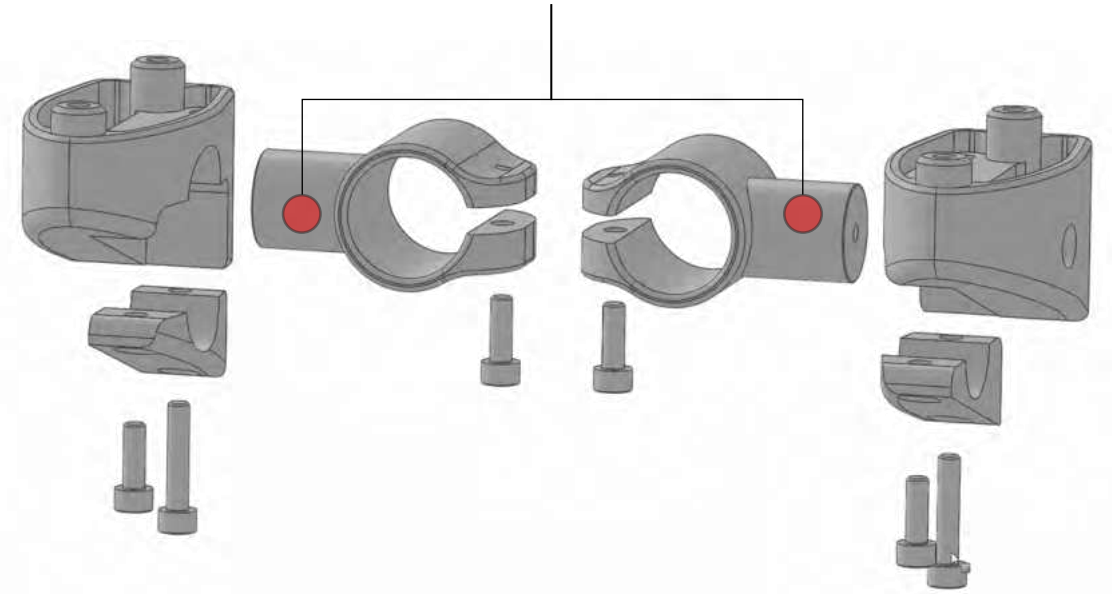
*Please note that there is a gap in the clamp when correctly tightened (5 Nm).*



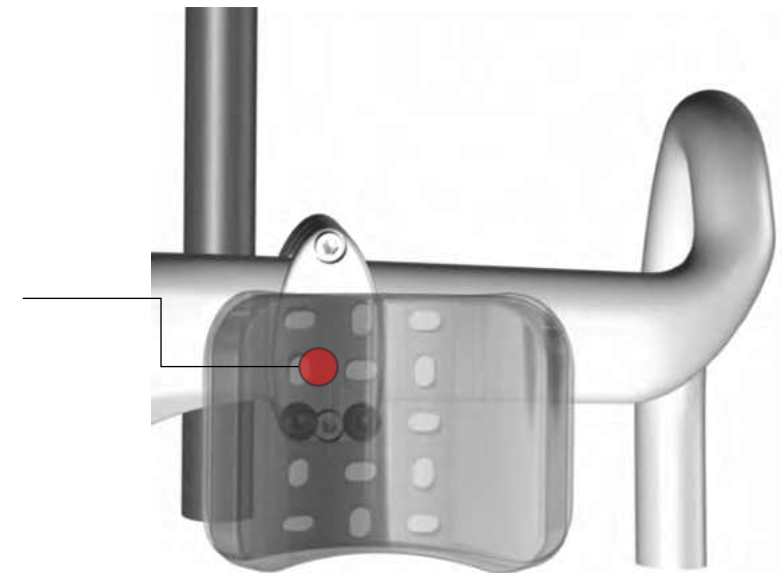
Refer to the torque values displayed below when tightening the assembly:



Apply grip paste on the extension clamp cylinders



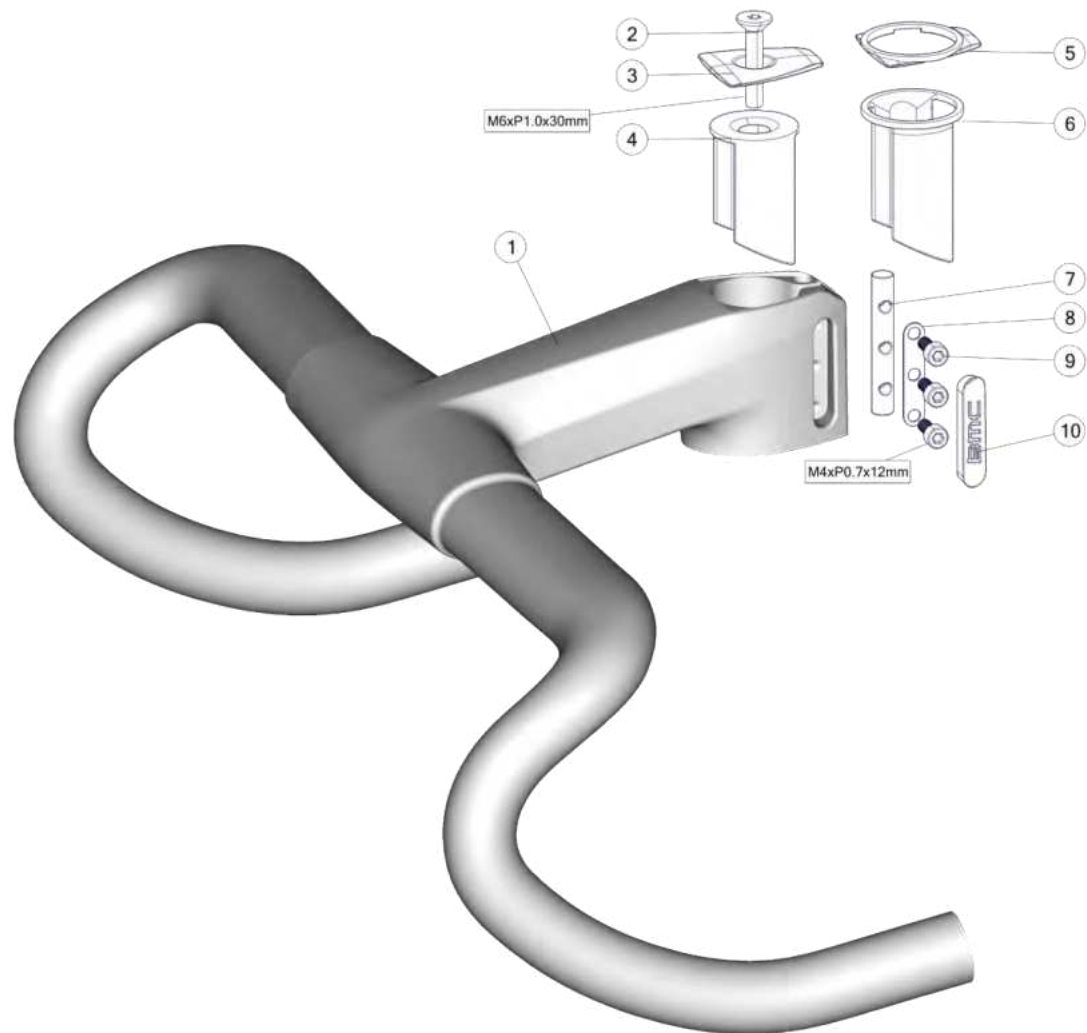
The arm rest position can be adjusted using different mounting holes





**SPARE PARTS**

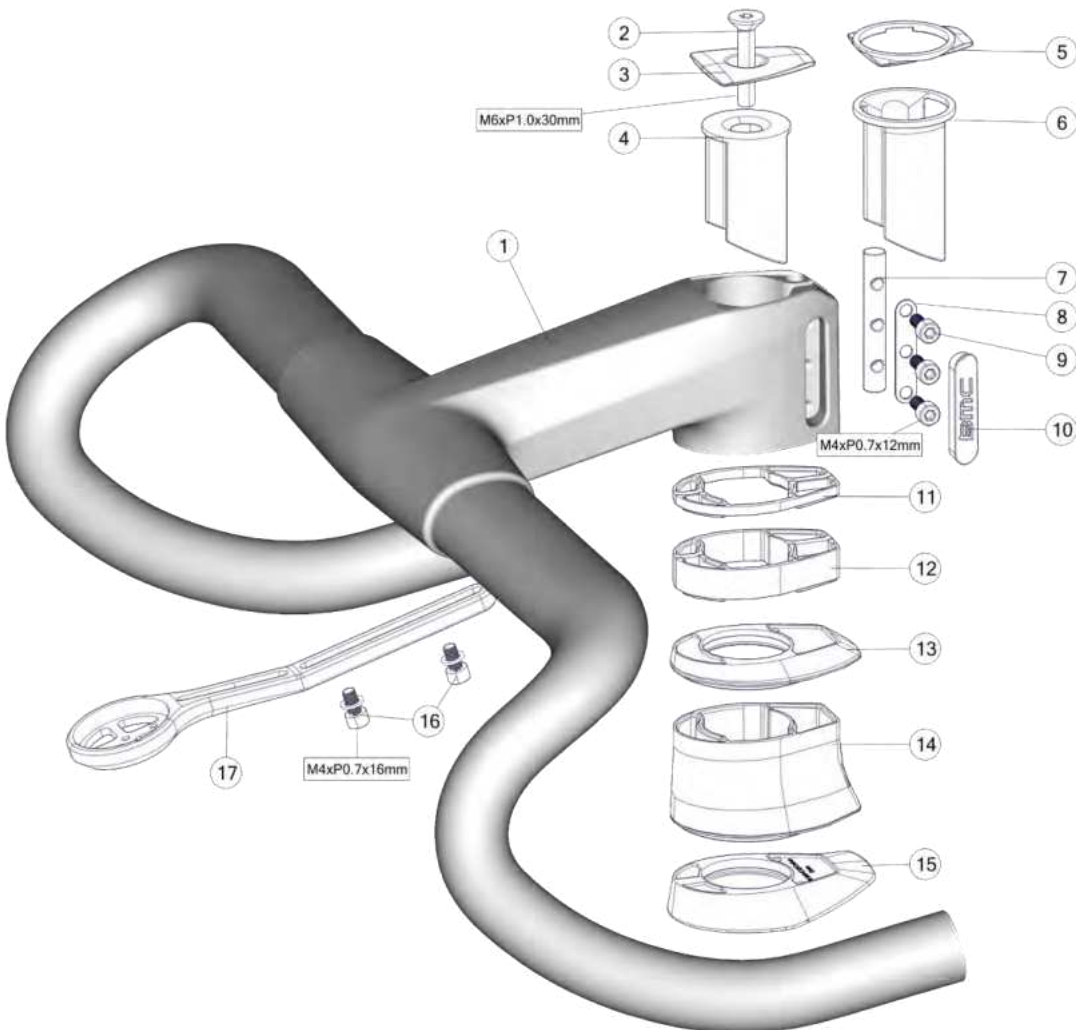
# ICS CARBON COCKPIT



| Pos. N° | Part N°  | Part Name                                   | Description                                    | Angle  | Drop | Reach |
|---------|----------|---|--|--------|------|-------|
| 1-10    | 30001767 | Cockpit ICS Carbon 90 400 BLACK - p2p       | w/o spacers or top cones<br>w/o computer mount | -12.5° | 127  | 67    |
| 1-10    | 30001768 | Cockpit ICS Carbon 100 420 BLACK - p2p      |  | -12.5° | 127  | 67    |
| 1-10    | 30001769 | Cockpit ICS Carbon 110 420 BLACK - p2p      |  | -12.5° | 127  | 67    |
| 1-10    | 30001770 | Cockpit ICS Carbon 120 420 BLACK - p2p      |  | -12.5° | 127  | 67    |
| 1-10    | 30001771 | Cockpit ICS Carbon 110 400 BLACK TEAM - p2p |  | -12.5° | 127  | 77    |
| 1-10    | 30001772 | Cockpit ICS Carbon 120 400 BLACK TEAM - p2p |  | -12.5° | 127  | 77    |
| 1-10    | 30001773 | Cockpit ICS Carbon 130 400 BLACK TEAM - p2p |  | -12.5° | 127  | 77    |
| 1-10    | 30001774 | Cockpit ICS Carbon 140 400 BLACK TEAM - p2p |  | -12.5° | 127  | 77    |
| 1-10    | 30001775 | Cockpit ICS Carbon 90 400 RED - p2p         |  | -12.5° | 127  | 67    |
| 1-10    | 30001776 | Cockpit ICS Carbon 100 420 RED - p2p        |  | -12.5° | 127  | 67    |
| 1-10    | 30001777 | Cockpit ICS Carbon 110 420 RED - p2p        |  | -12.5° | 127  | 67    |
| 1-10    | 30001778 | Cockpit ICS Carbon 120 420 RED - p2p        |  | -12.5° | 127  | 67    |
| 1-10    | 30001779 | Cockpit ICS Carbon 110 400 RED TEAM - p2p   |  | -12.5° | 127  | 77    |
| 1-10    | 30001780 | Cockpit ICS Carbon 120 400 RED TEAM - p2p   |  | -12.5° | 127  | 77    |
| 1-10    | 30001781 | Cockpit ICS Carbon 130 400 RED TEAM - p2p   |  | -12.5° | 127  | 77    |
| 1-10    | 30001782 | Cockpit ICS Carbon 140 400 RED TEAM - p2p   |  | -12.5° | 127  | 77    |
| 1-10    | 30003257 | Cockpit ICS Carbon 90 400 WHITE - p2p       |  | -12.5° | 127  | 67    |
| 1-10    | 30003258 | Cockpit ICS Carbon 100 420 WHITE - p2p      |  | -12.5° | 127  | 67    |
| 1-10    | 30003259 | Cockpit ICS Carbon 110 420 WHITE - p2p      |  | -12.5° | 127  | 67    |
| 1-10    | 30003260 | Cockpit ICS Carbon 120 420 WHITE - p2p      |  | -12.5° | 127  | 67    |
| 1-10    | 30003261 | Cockpit ICS Carbon 110 400 WHITE TEAM - p2p |  | -12.5° | 127  | 77    |
| 1-10    | 30003262 | Cockpit ICS Carbon 120 400 WHITE TEAM - p2p |  | -12.5° | 127  | 77    |
| 1-10    | 30003263 | Cockpit ICS Carbon 130 400 WHITE TEAM - p2p |  | -12.5° | 127  | 77    |
| 1-10    | 30003264 | Cockpit ICS Carbon 140 400 WHITE TEAM - p2p |  | -12.5° | 127  | 77    |

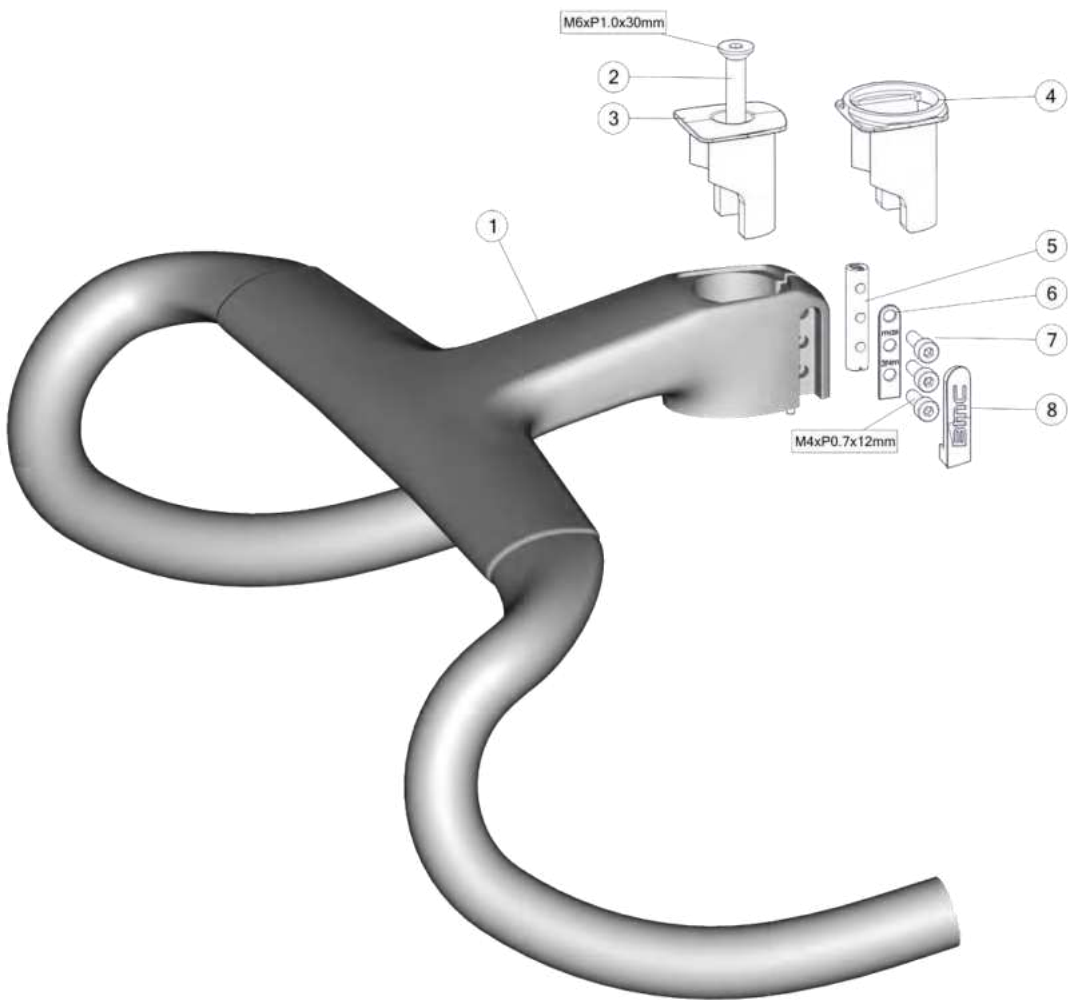


# ICS CARBON PART KITS



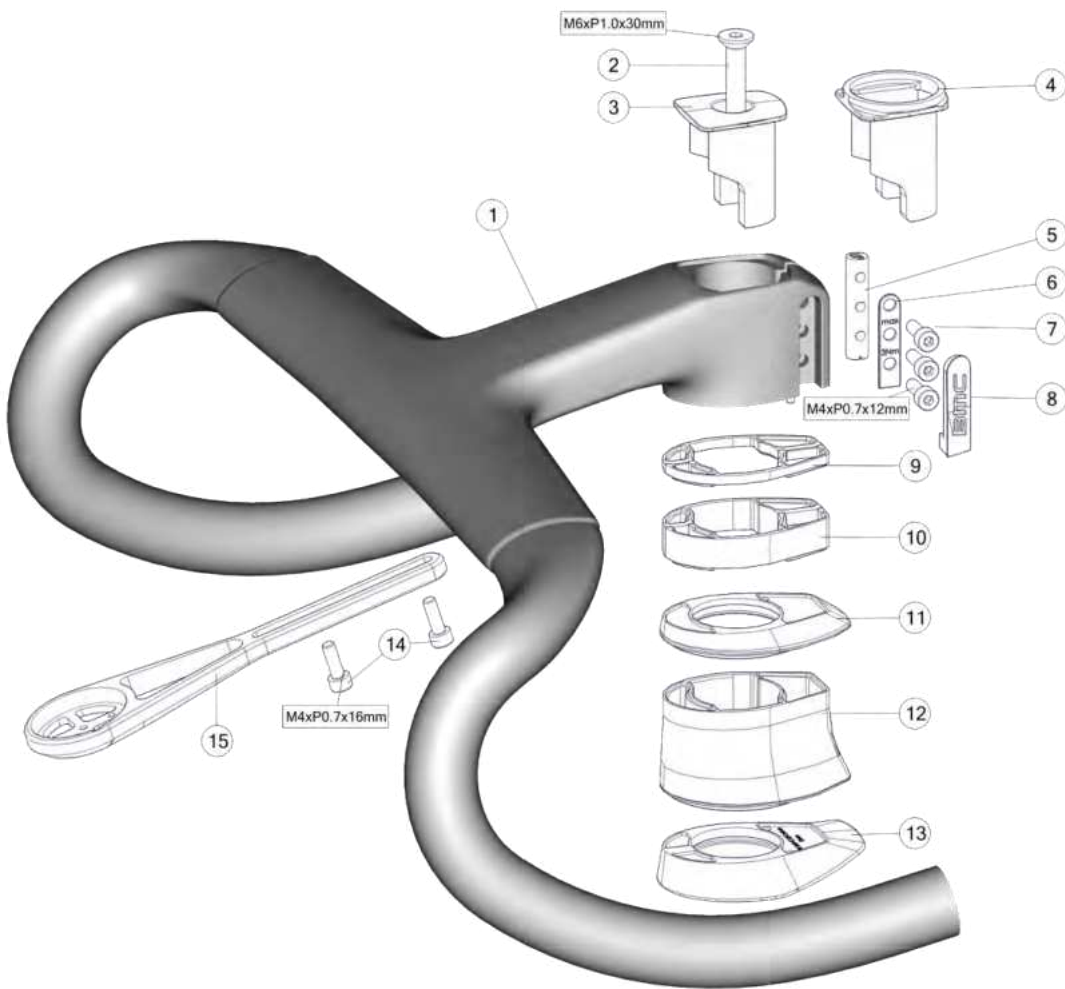
| Pos. N°    | Part N°  | Part Name  | Description  |
|------------|----------|--|--|
| 2 - 10     | 30000709 | RED ICS Carbon Cockpit Hardware (Top Caps, steerer wedges, clamp insert, bolt cover, bolts)      | including self cutting bolt                                      |
| 2 - 10     | 30001783 | BLACK ICS Carbon Cockpit Hardware (Top Caps, steerer wedges, clamp insert, bolt cover, bolts)    | including self cutting bolt                                      |
| 2 - 10     | 30003731 | WHITE ICS2 Carbon Cockpit Hardware (Top Caps, steerer wedges, clamp insert, bolt cover, bolts)   | including self cutting bolt                                      |
| 11 - 14    | 30001802 | Topcone Set SLR01 RED ICS2, ICS Carbon (5mm & 30mm topcones, 3x10mm, 2x3mm spacers) - p2p        | red top cones and spacers, for SLR01, KAS01, RM01 AMP, SLR AMP   |
| 11 - 14    | 30001801 | Topcone Set SLR01 BLK ICS2, ICS Carbon, (5mm & 30mm topcones, 3x10mm, 2x3mm spacers) - p2p       | black top cones and spacers, for SLR01, KAS01, RM01 AMP, SLR AMP |
| 11 - 14    | 30003256 | Topcone Set SLR01 WHITE ICS2, ICS Carbon (5mm & 30mm topcones, 3x10mm, 2x3mm spacers) - p2p      | white top cones and spacers, for SLR01, KAS01, RM01 AMP, SLR AMP |
| 11, 12, 15 | 30003734 | Topcone Set TMR01 RED ICS2 (12mm topcone, 3x10mm, 2x3mm spacers) - p2p                           | red top cones and spacers, for TMR01                             |
| 11, 12, 15 | 30003732 | Topcone Set TMR01 BLK ICS2 (12mm topcone, 3x10mm, 2x3mm spacers) - p2p                           | black top cones and spacers, for TMR01                           |
| 11, 12, 15 | 30003733 | Topcone Set TMR01 WHT ICS2 (12mm topcone, 3x10mm, 2x3mm spacers) - p2p                           | white top cones and spacers, for TMR01                           |
| 16, 17     | 30003196 | Alloy Computer Mount for ICS Carbon cockpit with Wahoo and Garmin inserts, including GoPro mount | max load: 180g   |
| 6          | 30003340 | ICS Carbon Cockpit Open Top Cap & Wedge  |  |

# ICS CARBON AERO COCKPIT



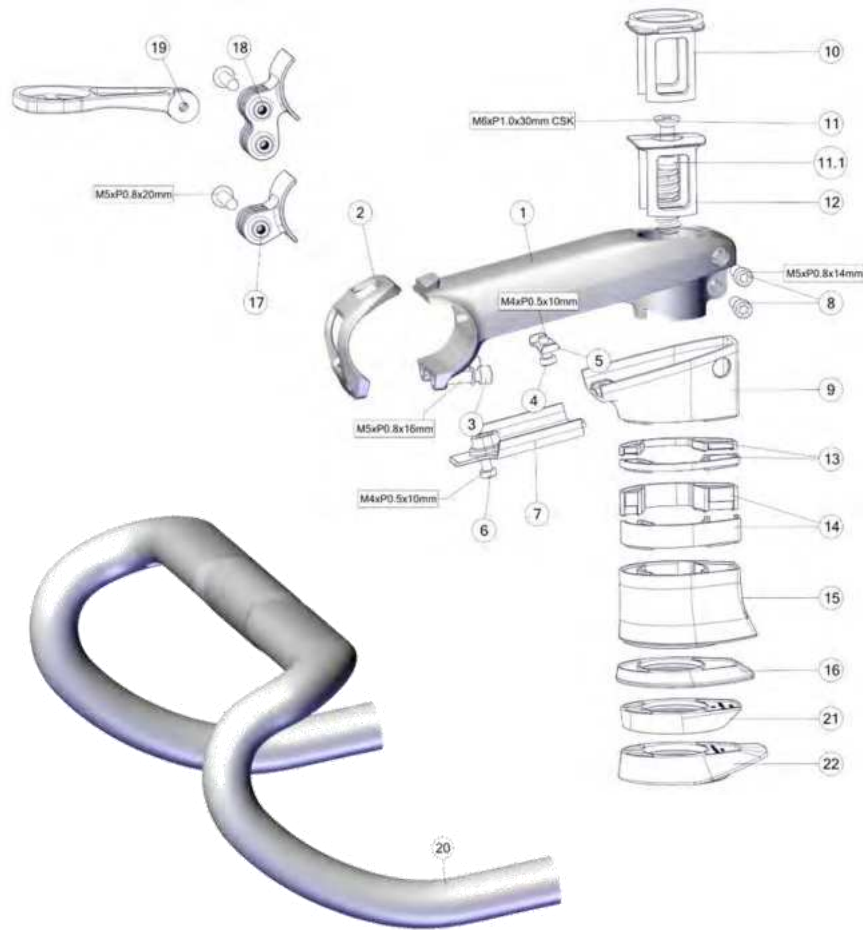
| Pos. N° | Part N°  | Part Name  | Description                                    | Angle  | Drop | Reach |
|---------|----------|--|--|--------|------|-------|
| 1-B     | 30003706 | Cockpit ICS2 Carbon AERO 80 360/420 RED - p2p    | w/o spacers or top cones<br>w/o computer mount | -12.5° | 135  | 72.5  |
| 1-B     | 30003707 | Cockpit ICS2 Carbon AERO 90 360/420 RED - p2p    |  | -12.5° | 135  | 72.5  |
| 1-B     | 30003708 | Cockpit ICS2 Carbon AERO 100 360/420 RED - p2p   |  | -12.5° | 135  | 72.5  |
| 1-B     | 30003709 | Cockpit ICS2 Carbon AERO 110 360/420 RED - p2p   |  | -12.5° | 135  | 72.5  |
| 1-B     | 30003710 | Cockpit ICS2 Carbon AERO 120 360/420 RED - p2p   |  | -12.5° | 135  | 72.5  |
| 1-B     | 30003711 | Cockpit ICS2 Carbon AERO 130 360/420 RED - p2p   |  | -12.5° | 135  | 72.5  |
| 1-B     | 30003712 | Cockpit ICS2 Carbon AERO 140 360/420 RED - p2p   |  | -12.5° | 135  | 72.5  |
| 1-B     | 30003713 | Cockpit ICS2 Carbon AERO 80 360/420 WHITE - p2p  |  | -12.5° | 135  | 72.5  |
| 1-B     | 30003714 | Cockpit ICS2 Carbon AERO 90 360/420 WHITE - p2p  |  | -12.5° | 135  | 72.5  |
| 1-B     | 30003715 | Cockpit ICS2 Carbon AERO 100 360/420 WHITE - p2p |  | -12.5° | 135  | 72.5  |
| 1-B     | 30003716 | Cockpit ICS2 Carbon AERO 110 360/420 WHITE - p2p |  | -12.5° | 135  | 72.5  |
| 1-B     | 30003717 | Cockpit ICS2 Carbon AERO 120 360/420 WHITE - p2p |  | -12.5° | 135  | 72.5  |
| 1-B     | 30003718 | Cockpit ICS2 Carbon AERO 130 360/420 WHITE - p2p |  | -12.5° | 135  | 72.5  |
| 1-B     | 30003719 | Cockpit ICS2 Carbon AERO 140 360/420 WHITE - p2p |  | -12.5° | 135  | 72.5  |
| 1-B     | 30003720 | Cockpit ICS2 Carbon AERO 80 360/420 BLACK - p2p  |  | -12.5° | 135  | 72.5  |
| 1-B     | 30003721 | Cockpit ICS2 Carbon AERO 90 360/420 BLACK - p2p  |  | -12.5° | 135  | 72.5  |
| 1-B     | 30003722 | Cockpit ICS2 Carbon AERO 100 360/420 BLACK - p2p |  | -12.5° | 135  | 72.5  |
| 1-B     | 30003723 | Cockpit ICS2 Carbon AERO 110 360/420 BLACK - p2p |  | -12.5° | 135  | 72.5  |
| 1-B     | 30003724 | Cockpit ICS2 Carbon AERO 120 360/420 BLACK - p2p |  | -12.5° | 135  | 72.5  |
| 1-B     | 30003725 | Cockpit ICS2 Carbon AERO 130 360/420 BLACK - p2p |  | -12.5° | 135  | 72.5  |
| 1-B     | 30003726 | Cockpit ICS2 Carbon AERO 140 360/420 BLACK - p2p |  | -12.5° | 135  | 72.5  |

# ICS CARBON AERO PART KITS



| Pos. N°   | Part N°  | Part Name  | Description  |
|-----------|----------|--|--|
| 2-8       | 30003727 | RED ICS2 AERO Cockpit Hardware (Top Caps, steerer wedges, clamp insert, bolt cover, bolts)                   | including self cutting bolt                                      |
| 2-8       | 30003728 | WHITE ICS2 AERO Cockpit Hardware (Top Caps, steerer wedges, clamp insert, bolt cover, bolts)                 | including self cutting bolt                                      |
| 2-8       | 30003729 | BLACK ICS2 AERO Cockpit Hardware (Top Caps, steerer wedges, clamp insert, bolt cover, bolts)                 | including self cutting bolt                                      |
| 14, 15    | 30003730 | Alloy Computer Mount for ICS2 Carbon Aero cockpit with Wahoo and Garmin inserts, including GoPro mount (TBD) |  |
| 9-12      | 30001802 | Topcone Set SLR01 RED ICS2, ICS Carbon (5mm & 30mm topcones, 3x10mm, 2x3mm spacers) - p2p                    | red top cones and spacers, for SLR01, KAS01, RM01 AMP, SLR AMP   |
| 9-12      | 30003256 | Topcone Set SLR01 WHITE ICS2, ICS Carbon (5mm & 30mm topcones, 3x10mm, 2x3mm spacers) - p2p                  | black top cones and spacers, for SLR01, KAS01, RM01 AMP, SLR AMP |
| 9-12      | 30001801 | Topcone Set SLR01 BLK ICS2, ICS Carbon, (5mm & 30mm topcones, 3x10mm, 2x3mm spacers) - p2p                   | white top cones and spacers, for SLR01, KAS01, RM01 AMP, SLR AMP |
| 9, 10, 13 | 30003734 | Topcone Set TMR01 RED ICS2 (12mm topcone, 3x10mm, 2x3mm spacers) - p2p                                       | red top cones and spacers, for TMR01                             |
| 9, 10, 13 | 30003732 | Topcone Set TMR01 BLK ICS2 (12mm topcone, 3x10mm, 2x3mm spacers) - p2p                                       | black top cones and spacers, for TMR01                           |
| 9, 10, 13 | 30003733 | Topcone Set TMR01 WHT ICS2 (12mm topcone, 3x10mm, 2x3mm spacers) - p2p                                       | white top cones and spacers, for TMR01                           |

# ICS2 STEM & HANDLEBAR

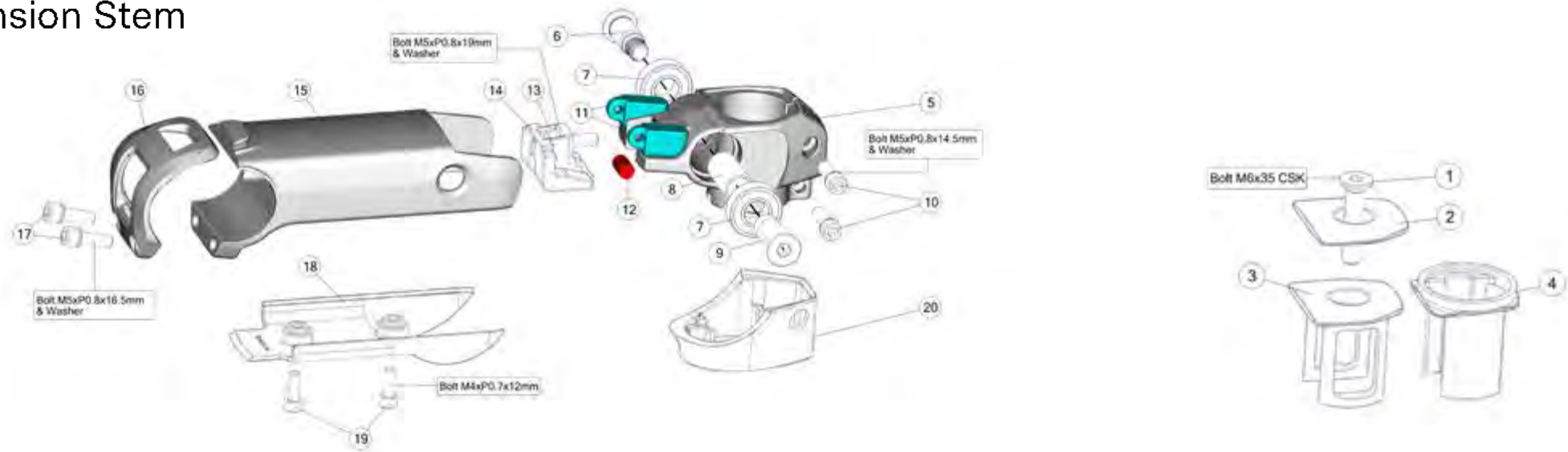


| Pos. N°          | Part N°      | Part Name   | Description   | Angle  |      |       |
|------------------|--------------|---|---|--------|------|-------|
| 1 - 9,11, 12, 17 | 30001784     | STEM ICS2 - 80mm - p2p  | w/o top cone or spacer including single mount   | -12.5° |      |       |
|                  | 30001785     | STEM ICS2 - 90mm - p2p  |   | -12.5° |      |       |
|                  | 30001786     | STEM ICS2 - 100mm - p2p   |   | -12.5° |      |       |
|                  | 30001787     | STEM ICS2 - 110mm - p2p   |   | -12.5° |      |       |
|                  | 30001788     | STEM ICS2 - 120mm - p2p   |   | -12.5° |      |       |
|                  | 30001789     | STEM ICS2 - 130mm - p2p   |   | -12.5° |      |       |
|                  | 30001790     | STEM ICS2 - 140mm - p2p   |   | -12.5° |      |       |
| 10               | 30003341     | ICS2 Topcap Interface Round   |   |        |      |       |
| 2 - 12           | 30000708     | ICS2 Hardware (face plate, cable clip, cable covers for all lengths, cable guide, top caps, bolts)                      | Cover for all stem length & self cutting bolt included  |        |      |       |
| 13-16            | 30001800     | Topcone Set SLR01 BLK ICS1, ICS AERO, ICS 0° (5mm & 30mm topcones, 3x10mm spacers) - p2p                                | ICS0° / ICS1 / ICS Aero stem → SLR01, KAS01, RM01 AMP, SLR AMP                                      |        |      |       |
| 13-16            | 30001801     | Topcone Set SLR01 BLK ICS2, ICS Carbon, (5mm & 30mm topcones, 3x10mm, 2x3mm spacers) - p2p                              | ICS2 stem → SLR01, KAS01, RM01 AMP, SLR AMP   |        |      |       |
| 13-16            | 30001804     | Topcone Set RM01 BLK ICS2, ICS Carbon (5mm & 30mm topcones, 3x10mm, 2x3mm spacers) - p2p                                | ICS2 stem → Teammachine SLR01/ SLR02 MY18-20; Roadmachine MY20-22; UnReSticted URS; Roadmachine AMP |        |      |       |
| 13, 14, 21       | 30002039     | Topcone Set ICS2, round 257 AMP (3x10mm, 2x3mm spacers) - p2p   | ICS2 (MTT) stem → 257 AMP/ 257/ AC AL/ URS AL/ RMX AL   |        |      |       |
| 13, 14, 22       | 30003732     | Topcone Set TMR01 BLK ICS2 (12mm topcone, 3x10mm, 2x3mm spacers) - p2p  | ICS2 stem → TMR01   |        |      |       |
| 17, 18, 19       | 30000718     | Alloy Computer Mount for ICS2 and ICS01 Stems with Wahoo and Garmin inserts, including Single and Double Alloy brackets | Aluminium   |        |      |       |
|                  |              |   |   |        |      |       |
|                  |              |   |   |        |      |       |
|                  |              |   |   |        |      |       |
| 20               | 301707006919 | Handlebar RCB01 400mm - p2p   | 400mm, stealth  | 117mm  | 77mm | Drop  |
| 20               | 301707006920 | Handlebar RCB01 420mm - p2p   | 420mm, stealth, ca. 193g  | 117mm  | 77mm | Reach |
| 20               | 301707006921 | Handlebar RCB01 440mm - p2p   | 440mm, stealth  | 117mm  | 77mm |       |

Roadmachine MY17-19 are not compatible with ICS2 top cones and stem

ICS2 stem cannot be used in combination with round steerer forks (SLR, Roadmachine, SLR02, Roadmachine 02)

# ICS MTT Suspension Stem

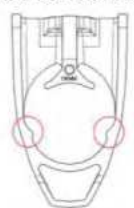


| Pos. N°   | Part N°  | Description  | Notes  |
|-----------|----------|--|--|
| 1-20      | 30002032 | Stem ICS2 MTT 70mm   |  |
| 1-20      | 30002033 | Stem ICS2 MTT 80mm   |  |
| 1-20      | 30002034 | Stem ICS2 MTT 90mm   |  |
| 1-20      | 30002035 | Stem ICS2 MTT 100mm  |  |
| 1-20      | 30002036 | Stem ICS2 MTT 110mm  |  |
| 1-4/16-19 | 30002037 | ICS2 MTT Cover Kit (Cable guide, cable covers, top caps, faceplate)                        | including bolts  |
| 11-14     | 30002038 | ICS2 MTT Hardware (Elastomer bumpers)  | including bumpers in different density   |
|           | 30001801 | Topcone Set SLR01 BLK ICS2, ICS Carbon, (5mm & 30mm topcones, 3x10mm, 2x3mm spacers) - p2p | ICS2 (MTT) stem → SLR01, KAS01, RM01 AMP, SLR AMP  |
|           | 30001804 | Topcone Set RM01 BLK ICS2, ICS Carbon (5mm & 30mm topcones, 3x10mm, 2x3mm spacers) - p2p   | ICS2 (MTT) stem → Teammachine SLR01/ SLR02 MY18-20; Roadmachine MY20-22; UnReStricted URS; Roadmachine AMP |
|           | 30002039 | Topcone Set ICS2, round 257 AMP (3x10mm, 2x3mm spacers) - p2p                              | ICS2 (MTT) stem → 257 AMP/ 257/ AC AL/ URS AL/ RMX AL  |

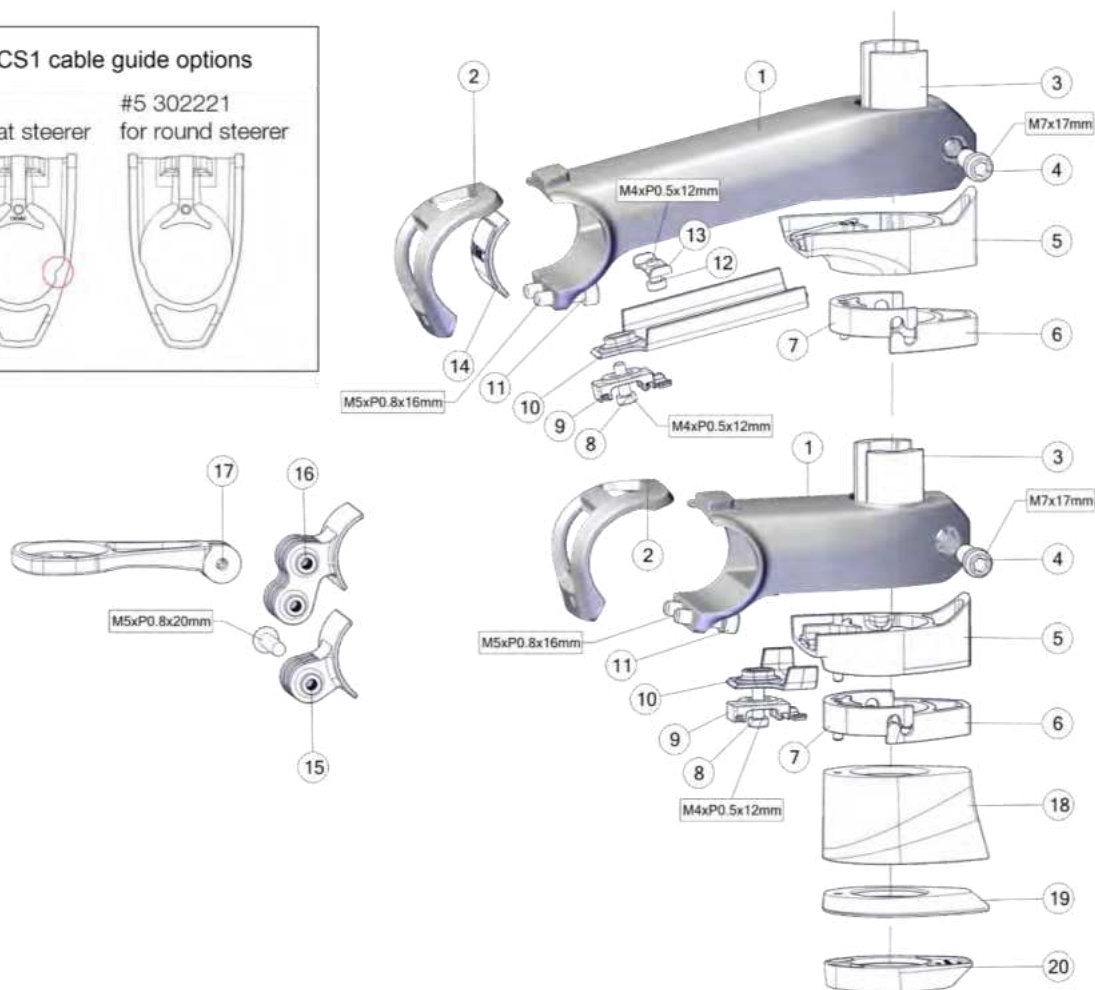
# ICS1 & ICS0° STEM

## ICS1 cable guide options

#5  
for flat steerer



#5 302221  
for round steerer



| Pos. N°           | Part N°   | Part Name   | Description   | Angle  |
|-------------------|-----------|---|---|--------|
| 1 - 14            | 300881    | Stem ICS01, 90mm  | Sandblasted / black anodized  | -12.5° |
| 1 - 14            | 300882    | Stem ICS01, 100mm   | Sandblasted / black anodized  | -12.5° |
| 1 - 14            | 300883    | Stem ICS01, 110mm   | Sandblasted / black anodized  | -12.5° |
| 1 - 14            | 300884    | Stem ICS01, 120mm   | Sandblasted / black anodized  | -12.5° |
| 1 - 14            | 300885    | Stem ICS01, 130mm   | Sandblasted / black anodized  | -12.5° |
| 5                 | 302221    | Stem ICS01 Lower Stem Cover – Round Steerer*  | To fit stem to round steerer forks  |        |
| 5-7               | 301281    | ICS01 stem PA spacer kit  | Polyamid, 3 pair of spacers   |        |
| 3 - 13            | 301651    | ICS01 stem part kit   | Including all covers (#10)  |        |
| 14                | 300996    | ICS01 stem faceplace cover  |   |        |
| 1 - 5, 8 - 11, 15 | 3000179 5 | Stem ICS 0°, 55mm - p2p   | w/o top cone or spacer including single mount   | 0°     |
| 1 - 5, 8 - 11, 15 | 3000179 6 | Stem ICS 0°, 70mm - p2p   |   | 0°     |
| 1 - 5, 8 - 11, 15 | 3000179 7 | Stem ICS 0°, 80mm - p2p   |   | 0°     |
| 1 - 5, 8 - 11, 15 | 3000179 8 | Stem ICS 0°, 90mm - p2p   |   | 0°     |
| 1 - 5, 8 - 11, 15 | 3000179 9 | Stem ICS 0°, 100mm - p2p  |   | 0°     |
| 3-5, 8-10         | 302100    | Stem ICS0° part kit   | Including all covers (#10)  |        |
| 15,16,17          | 3000071 8 | Alloy Computer Mount for ICS2 and ICS01 Stems with Wahoo and Garmin inserts, including Single and Double Alloy brackets | Aluminium   |        |
| 6, 7, 18, 19      | 3000180 3 | Topcone Set RM01 BLK ICS1, ICS AERO, ICS 0°(5mm & 30mm topcones, 3x10mm spacers) - p2p                                  | ICS1/ ICS Aero/ ICS 0° stem → Teammachine SLR01/ SLR02 MY18-20; Roadmachine MY20-22; UnReSticted URS; Roadmachine AMP |        |
| 6, 7, 18, 19      | 3000180 0 | Topcone Set SLR01 BLK ICS1, ICS AERO, ICS 0° (5mm & 30mm topcones, 3x10mm spacers) - p2p                                | ICS1/ ICS Aero/ ICS 0° stem→ SLR01, KAS01, RM01 AMP, SLR AMP  |        |
| 6, 7, 20          | 300043 13 | Topcone Set ICS1, round 257 (3x10mm spacers) - p2p  | ICS1/ ICS Aero/ ICS 0° stem → 257 AMP/ 257/ AC AL/ URS AL/ RMX AL   |        |

\*Attention: #302221 does not fit with ICS0° stem!



| Pos. N°       | Part N°      | Part Name   | Description  | Angle | Drop  | Reach |
|---------------|--------------|---|--|-------|-------|-------|
| 1 - 10        | 301704006915 | Stem ICS01 AERO Stealth 100mm   | 100mm  | -15°  |       |       |
| 1 - 10        | 301704006916 | Stem ICS01 AERO Stealth 110mm   | 110mm  |       |       |       |
| 1 - 10        | 301704006917 | Stem ICS01 AERO Stealth 120mm   | 120mm  |       |       |       |
| 1 - 10        | 301704006918 | Stem ICS01 AERO Stealth 130mm   | 130mm  |       |       |       |
| 1 - 3, 6 - 11 | 30001791     | STEM ICS Aero 100mm - p2p   | w/o top cone or spacer including single mount  |       |       |       |
| 1 - 3, 6 - 11 | 30001792     | STEM ICS Aero 110mm - p2p   |  |       |       |       |
| 1 - 3, 6 - 11 | 30001793     | STEM ICS Aero 120mm - p2p   |  |       |       |       |
| 1 - 3, 6 - 11 | 30001794     | STEM ICS Aero 130mm - p2p   |  |       |       |       |
| 2 - 10        | 301666       | ICS Aero stem part kit  |  |       |       |       |
| 4, 5, 14, 15  | 30001803     | Topcone Set RM01 BLK ICS1, ICS AERO, ICS 0°(5mm & 30mm topcones, 3x10mm spacers) - p2p                            | ICS1/ ICS Aero/ ICS 0° stem → Teammachine SLR01/ SLR02 MY18-20; Roadmachine MY20-22; UnReStRicted URS; Roadmachine AMP |       |       |       |
| 4, 5, 16, 17  | 30001800     | Topcone Set SLR01 BLK ICS1, ICS AERO, ICS 0° (5mm & 30mm topcones, 3x10mm spacers) - p2p                          | ICS1/ ICS Aero/ ICS 0° stem→ SLR01, KAS01, RM01 AMP, SLR AMP   |       |       |       |
| 4, 5, 18      | 30004313     | Topcone Set ICS1, round 257 (3x10mm spacers) - p2p  | ICS1/ ICS Aero/ ICS 0° stem → 257 AMP/ 257/ AC AL/ URS AL/ RMX AL  |       |       |       |
| 11, 13        | 301703       | Garmin/Go-Pro ICS01 AERO Stem mount set   | Polyamid<br>Not suited for devices over 100g!  |       |       |       |
| 11,12,13      | 30000719     | Alloy Computer Mount for ICS Aero Stems with Wahoo and Garmin inserts, including Single and Double Alloy brackets | Aluminium  |       |       |       |
|               |              |   |  |       |       |       |
| 19            | 302068008091 | Handlebar ICS AERO 400mm - p2p  | 400mm, stealth   |       | 122mm | 64mm  |
| 19            | 302068008092 | Handlebar ICS AERO 420mm - p2p  | 420mm, stealth, ca. 232g   |       | 122mm | 64mm  |
| 19            | 302068008093 | Handlebar ICS AERO 440mm - p2p  | 440mm, stealth   |       | 122mm | 64mm  |
| 19            | 302081008105 | Handlebar ICS AERO TEAM Stealth 400mm   | 400mm, stealth   |       | 126mm | 80mm  |
| 19            | 302081008106 | Handlebar ICS AERO TEAM Stealth 420mm   | 420mm, stealth   |       | 126mm | 80mm  |
| 19            | 302081008107 | Handlebar ICS AERO TEAM Stealth 440mm   | 440mm, stealth   |       | 126mm | 80mm  |
|               | 30000749     | ICS Aero Clip-On Extensions   |  |       |       |       |

**BMC**

