



SCOTT

BIKE

ADDICT RC DISC

USER MANUAL

INNOVATION
TECHNOLOGY
DESIGN

WWW.SCOTT-SPORTS.COM



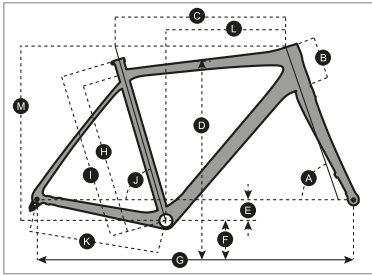
The Addict RC Disc should be adjusted exactly to the rider for maximum safety and fun while riding.

Please contact your authorized SCOTT dealer for advice in order to avoid technical problems or any harm.

▼ CONTENTS

Geometry/Technical Data Addict RC Disc	04
Headset Options	05
Stem Options.	06
Seatpost Clamp	06
Front Fork Disc	07
Cable Guide Kit	07
RD Hanger	08
Axles.	09
Guarantee on SCOTT Bikes.	10

GEOMETRY/TECHNICAL DATA ADDICT RC DISC



Max/Min Rotor size is:

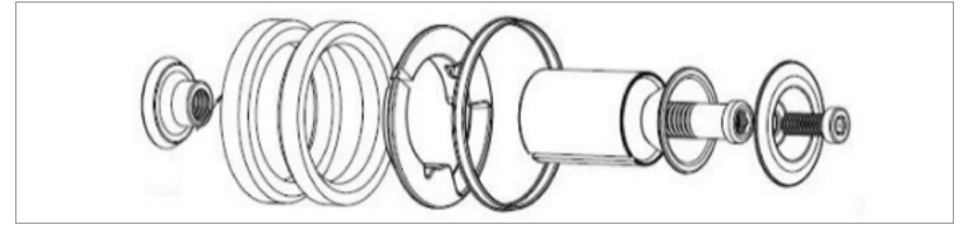
- Front 160mm only
- Rear 160mm maximum, 140mm minimum

	XXS/47		XS/49		S/52		M/54		L/56		XL/58		XXL/61	
A HEAD TUBE ANGLE	70.5°		71.0°		72.0°		72.5°		73.0°		73.3°		73.3°	
B HEAD TUBE LENGTH	97.0 mm	3.8 in	102.0 mm	4.0 in	115.0 mm	4.5 in	135.0 mm	5.3 in	155.0 mm	6.1 in	175.0 mm	6.9 in	193.0 mm	7.6 in
C TOP TUBE HORIZONTAL	520.0 mm	20.5 in	530.0 mm	20.9 in	540.0 mm	21.3 in	550.0 mm	21.7 in	565.0 mm	22.2 in	580.0 mm	22.8 in	600.0 mm	23.6 in
D STANDOVER HEIGHT	720.0 mm	28.3 in	740.0 mm	29.1 in	755.0 mm	29.7 in	778.0 mm	30.6 in	798.0 mm	31.4 in	818.0 mm	32.2 in	838.0 mm	33.0 in
E BB OFFSET	-70.0 mm	-2.8 in	-70.0 mm	-2.8 in	-70.0 mm	-2.8 in	-70.0 mm	-2.8 in	-70.0 mm	-2.8 in	-70.0 mm	-2.8 in	-70.0 mm	-2.8 in
F BB HEIGHT	274.5 mm	10.8 in	274.5 mm	10.8 in	274.5 mm	10.8 in	274.5 mm	10.8 in	274.5 mm	10.8 in	274.5 mm	10.8 in	274.5 mm	10.8 in
G WHEEL BASE	987.5 mm	38.9 in	994.0 mm	39.1 in	991.0 mm	39.0 in	992.0 mm	39.1 in	1000.0 mm	39.4 in	1008.0 mm	39.7 in	1023.0 mm	40.3 in
H BB CENTER TO TOP TUBE CENTER	410.0 mm	16.1 in	430.0 mm	16.9 in	460.0 mm	18.1 in	480.0 mm	18.9 in	500.0 mm	19.7 in	520.0 mm	20.5 in	550.0 mm	21.7 in
I BB CENTER TO TOP OF SEATTUBE	470.0 mm	18.5 in	490.0 mm	19.3 in	520.0 mm	20.5 in	540.0 mm	21.3 in	560.0 mm	22.0 in	580.0 mm	22.8 in	610.0 mm	24.0 in
J SEAT ANGLE	74.5°		74.5°		74.0°		73.6°		73.3°		73.0°		72.5°	
K CHAINSTAY	410.0 mm	16.1 in	410.0 mm	16.1 in	410.0 mm	16.1 in	410.0 mm	16.1 in	410.0 mm	16.1 in	410.0 mm	16.1 in	410.0 mm	16.1 in
L REACH	454.0 mm	17.9 in	463.0 mm	18.2 in	474.0 mm	18.7 in	485.0 mm	19.1 in	492.0 mm	19.4 in	507.0 mm	20.0 in	518.0 mm	20.4 in
M STACK	563.0 mm	22.2 in	570.0 mm	22.4 in	586.0 mm	23.1 in	605.0 mm	23.8 in	627.5 mm	24.7 in	648.0 mm	25.5 in	667.0 mm	26.3 in
N STEM LENGTH	90.0 mm	3.5 in	90.0 mm	3.5 in	100.0 mm	3.9 in	110.0 mm	4.3 in	110.0 mm	4.3 in	120.0 mm	4.7 in	120.0 mm	4.7 in
O CENTRE SADDLE - CENTRE BAR (HOR.)	635.0 mm	25.0 in	650.0 mm	25.6 in	674.0 mm	26.5 in	694.0 mm	27.3 in	710.0 mm	28.0 in	736.0 mm	29.0 in	761.0 mm	30.0 in
P CENTRE SADDLE - CENTRE BAR (VERT.)	92.0 mm	3.6 in	105.0 mm	4.1 in	106.0 mm	4.2 in	103.0 mm	4.1 in	100.0 mm	3.9 in	106.0 mm	4.2 in	115.0 mm	4.5 in

HEADSET OPTIONS

The Addict RC Disc will use the same headset kit for both Creston IC and Creston IC SL handlebars:

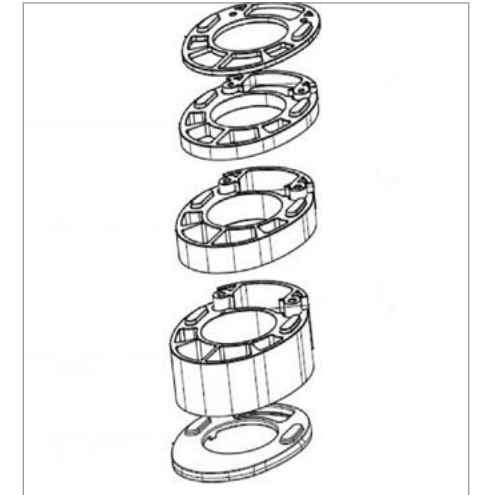
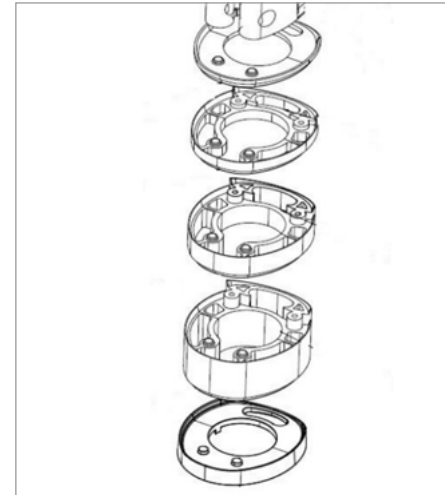
Part Number: 275466



There will be two Headset Spacer kits, one for the Creston IC SL and one for the Creston IC.

Creston IC SL Part Number: 277547

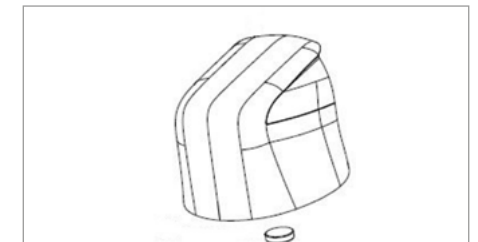
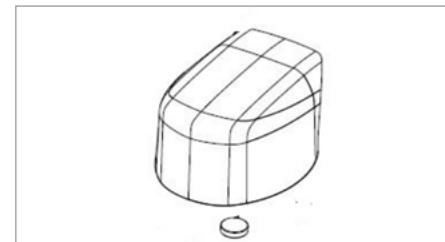
Creston IC Part Number: 277042



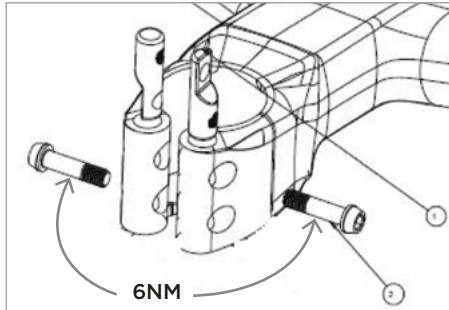
Stem Top Cap will also be different for each model of handlebar.

Creston IC SL Part Number: 277550

Creston IC Part Number: 277549

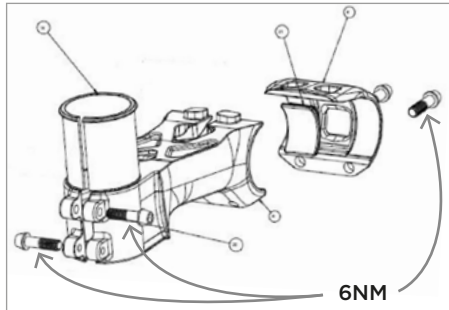


• STEM OPTIONS

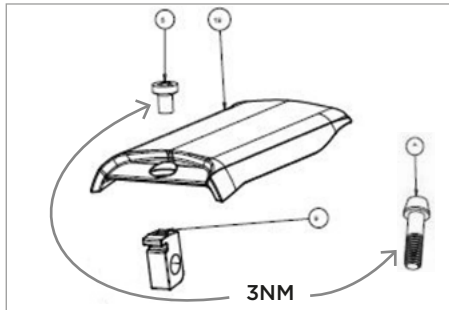


The Creston IC Stem will come as a complete kit as below, Creston IC SL will only be the fixation bolts.

Creston IC SL Part Number: 275472



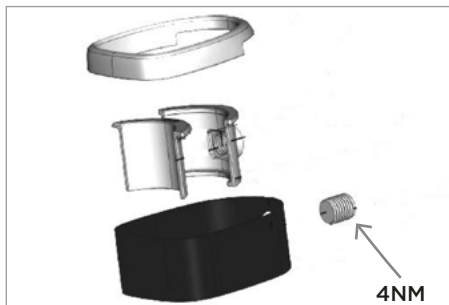
Creston IC Part Number: 275431



The Creston IC Stem will have a cable routing top cap as a separate part.

Part Number: 277042

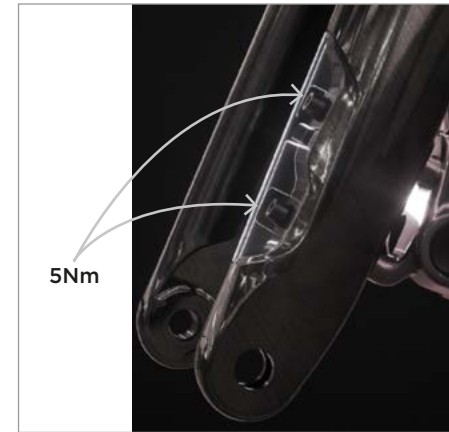
• SEATPOST CLAMP



The seatpost clamp is specific to the Addict RC Disc.

Part Number 277543

• FRONT FORK DISC



• IMPORTANT

When mounting the front brake calliper, make sure you use the correct length of fixation bolt. Longer bolt for top fork hole, shorter bolt for the lower fork hole.

Cover Part Number: 277027

**Max Bolt Torque Front and Rear
5Nm**

• CABLE GUIDE KIT

The kit will include fork brake hose guide rubbers, seatpost guide rubber (mech/Di2), rear brake hose guide rubbers. The specific mechanical rear derailleurs cable connector is also included.

Part Number: 277025

In addition, available an anti-rattle foam tubing in 90cm only, part number: 277026.

• IMPORTANT

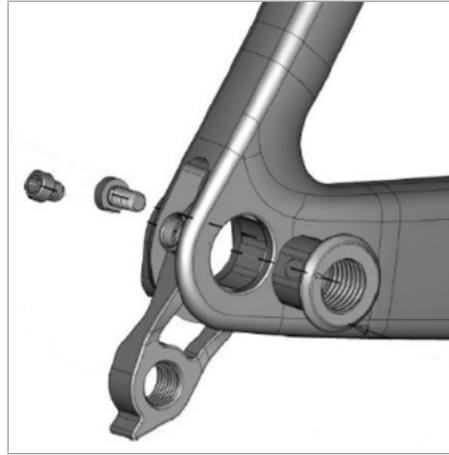
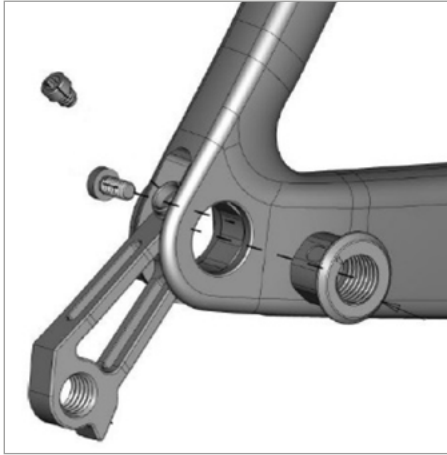
For internal cable routing for mechanical shifting and electrical shifting please contact your authorized SCOTT Dealer, if carried out incorrectly injury could occur.

RD HANGER

The Addict RC Disc will have two drops available. This will include the dropout, threaded axle cap, and fixation bolts.

Direct Mount Part Number: 277545

Standard Mount Part number: 277544



When amounting make sure the white arrow is aligned with the dropout rear bolt as below.

A 3D CAD model of the RD Hanger assembly with torque specifications. A red dashed arrow points to the dropout rear bolt with the label "1NM". A red solid arrow points to the dropout rear bolt with the label "2NM". A red circle highlights the threaded axle cap. A white arrow points to the dropout rear bolt.

AXLES

Front and Rear Axles are available in two types, standard and tapered.

Front Standard: 277031

Rear Standard: 277030

Front Tapered: 277028

Rear Tapered: 277029

5 | 08 ENGLISH

ADDICT RC DISC | BIKE USER MANUAL

BIKE USER MANUAL | ADDICT RC DISC

ENGLISH 09 | 5

▮ GUARANTEE ON SCOTT BIKES

⚠ WARNING!

SCOTT Sports SA is not responsible or liable for any injury caused by any missing compliance with these instructions, particularly but not limited to misuse, incorrect maintenance, incorrect set-up and handling, neglect or abuse. Failure to follow these instructions can result in component failure, serious personal injury. Component failure can lead to loss of control of the bicycle and result in serious personal injury.

What is Covered?

This warranty covers defects in materials and workmanship at the time of transfer of risks in frames, swingarms and forks (provided it is a fork of SCOTT) on SCOTT branded bikes sold completely assembled by SCOTT or an authorized SCOTT dealer (“Product”).

How long does coverage last?

This voluntary manufacturer’s warranty is limited to five years for frames and swingarms, respectively two years for forks, from the date of purchase of the Product and is limited to the first purchaser of the Product and subject to the prior registration of your SCOTT bike on www.scott-sports.com within 10 days as of the date of purchase. Transfer of the Product from the first purchaser to another person terminates this limited warranty. The limited warranty of five years for the frames and swingarms shall only be granted in case once a year a maintenance service has been effected according to maintenance requirements as set forth in the manual. The effected annual maintenance service shall be confirmed by stamp and signature. In case such an annual maintenance service has not been effected the warranty of five years for the frame shall be reduced to three years. Costs for maintenance and service have to be borne by the owner of the Product.

On Gambler, Voltage FR and Volt-X the warranty period is limited to two years.

Repaired or replaced Products are covered for the remainder of the original warranty period and subject to the conditions outlined in the original warranty, to the extent permitted by law.

Hereby SCOTT grants a worldwide voluntarily manufacturer’s warranty. To the extent permitted by law and unless a shorter duration is stipulated by law, any warranties implied by law are limited in duration to maximum five, respectively two years, from the date of purchase of the Product and are limited to the first purchaser of the Product.

What will SCOTT do in the event of a guarantee case?

SCOTT will replace the defective product with a product of a quality or nature and similar level, will repair or refund the purchase price (after presentation of the proof of purchase of the product), at its sole discretion. Non-defective components are replaced at your expense. In such a case, we will contact you before replacing the non-defective part for your agreement.

What does this limited warranty not cover?

This limited warranty does not cover defects which did not exist before the transfer of risks. This limited warranty does not cover Products used in rental operations. This limited warranty does not cover purchases of not completely assembled bikes. This limited warranty does not cover any defect caused by “wear and tear” (a complete list of all parts of “wear and tear” can be found in the general manual that came with your bike), accident, neglect, improper handling, colour fade due to exposure to sunlight, abuse, misuse, an act of God, improper assembly, non-compliance with recommended maintenance and care procedures,

improper or incorrectly performed maintenance or repairs performed by someone other than an authorized SCOTT dealer, use of parts or devices not consistent with the Product, and alteration of the Product.

All Products come with a manual; please carefully follow the instructions located there or affixed elsewhere to the Product. To the extent permitted by law, consequential and incidental damages are not recoverable under this limited warranty.

How do you make a claim under this limited warranty?

To make a claim under this limited warranty, you must notify SCOTT of the claimed defect within the warranty period and timely return the Product to SCOTT at your expense for inspection. Please contact your authorized SCOTT dealer, call SCOTT’s customer service or the national SCOTT distributor (dealer locator: www.scott-sports.com). All returned Products must be accompanied by proof of purchase (receipt) from an authorized SCOTT dealer or this limited warranty will not apply. In case of replacement or refund, returned Product becomes the property of SCOTT.


A protocol for the handing over of the Product (which you will find at the end of the manual) will remain in copy at the SCOTT dealer after acceptance and signature of the consumer. It is obligatory to show this protocol of handing over together with the defective part in case of a warranty claim given that it provides evidence of purchase or this limited warranty will not apply.

How do state laws affect your rights under this limited warranty?

This limited warranty gives you specific legal rights, and you may also have other rights, which vary from state to state.

Recommendation

We strongly recommend that you use only authorized SCOTT dealers for yearly maintenance services and for repairs, as improper or incorrectly performed maintenance or repairs voids this limited warranty. Costs for maintenance service have to be borne by the consumer.

 SCOTT Bike Warranty Periods	Year 1	Year 2	Year 3	Year 4	Year 5
SCOTT Bikes					
Gambler, Voltage FR, Volt-X					
Regular Warranty Period					
Option for prolongation according to maintenance intervals shown in manuals attached to bikes					

© SCOTT Sports SA 2019. All rights reserved. v1.1/18102019

The information contained in this manual is in various languages but only the English version will be relevant in case of conflict.

Distribution:
SSG (Europe) Distribution Center SA, P.E.D. Zone C1, Rue du Kiell 60, 6790 Aubange, Belgium



WWW.SCOTT-SPORTS.COM

SCOTT Sports SA

Route du Crochet 11, CH-1762 Givisiez

Phone: +41 26 460 16 16 | Fax: +41 26 460 16 00

Email: webmaster.marketing@scott-sports.com
