



PATRON MY22

MANUAL



Technical Data:

Seatpost:	31.6 mm
Seatpost Clamp:	34.9 mm
Travel:	160 mm F & R
Shock Length:	205 mm E2E
Shock Stroke:	60 mm
Hardware M/Frame:	Trunnion
Hardware Linkage:	17 x 10 mm
Chainring Max:	38 T
Chain Line:	52 mm
Tyre Width Max:	2.6"
Max / Min Rotor:	203 Only (no special mount)

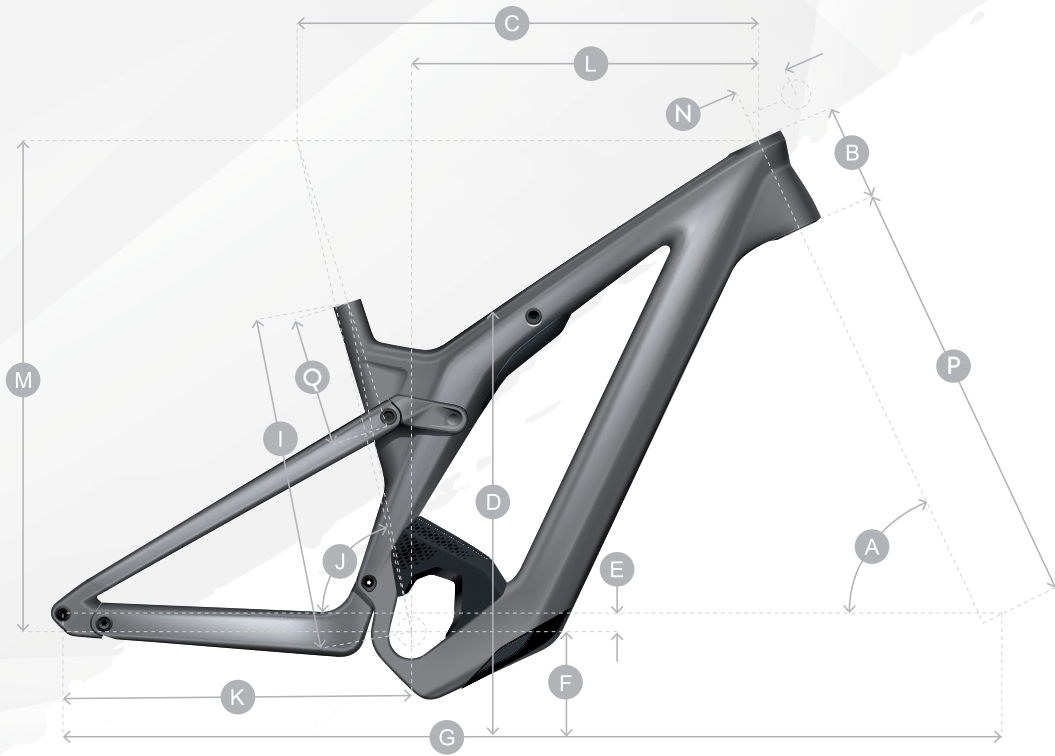


Tyre sizes often vary from brand to brand. Always ensure the frame, linkage & swingarm tyre clearance is adequate when replacing the rear tyre.



For the full installation of the motor, wiring, and frame parts please only take your bike to an Authorised Scott Dealer for assistance.

Geometry:



MY22 Patron eRIDE

	Small	Medium	Large	X/Large	
A	HEAD TUBE ANGLE	64.5°	65°	65°	65°
B	HEAD TUBE LENGTH	120 mm	125 mm	135 mm	145 mm
C	TOP TUBE HORIZONTAL	579.4 mm	595 mm	625.6 mm	656.4 mm
D	STANDOVER HEIGHT	766 mm	766 mm	766 mm	766 mm
E	BB OFFSET	-30.0 mm	-30.0 mm	-30.0 mm	-30.0 mm
F	BB HEIGHT	347 mm	347 mm	347 mm	347 mm
G	WHEEL BASE	1221.7 mm	1231.7 mm	1263.7 mm	1295.4 mm
I	BB CENTER TO TOP OF SEATTUBE	410.5 mm	440.5 mm	470.4 mm	500.4 mm
J	SEAT ANGLE	77°	76.9°	76.9°	76.8°
K	CHAINSTAY	454.0 mm	454.0 mm	454.0 mm	454.0 mm
L	REACH	432.7 mm	445.8 mm	473.6 mm	501.2 mm
M	STACK	634.8 mm	642.2 mm	651.3 mm	660.4 mm
N	STEM LENGTH	50 mm	50 mm	60 mm	60 mm
P	FORK LENGTH	567.1 mm	567.1 mm	567.1 mm	567.1 mm
Q	MAX POST INSERTION	245 mm	265 mm	300 mm	320 mm
	CRANK LENGTH	165 mm	165 mm	165 mm	165 mm
	TRAIL	133.3 mm	129.5 mm	129.5 mm	129.5 mm

PLEASE TAKE NOTE OF THE BELOW ICONS THROUGHOUT THIS MANUAL FOR SAFE PRACTISE



EASY TECHNICAL STEP



IMPORTANT TECHNICAL STEP
(Take your time, get it right)



NO GREASE

WITH GREASE



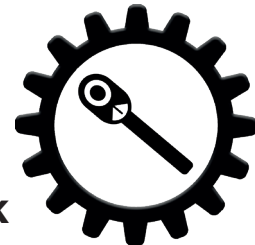
THREADLOC

BEARING FIT



WARNING/CAUTION

TORQUE CHECK



Fenders & Carriers:

The Patron can be equipped with a kickstand, rear fender and rear rack.

265597 SYN Kickstand Fully E-MTB 2 bolts

288545 SCO Rear rack AXIS eRide Evo SnapIt 2.0

280312 SCO Rear fender stays Strike/AXIS ER Evo

280311 SCO Rear fender Strike /AXIS E-Ride Evo
(front fender not possible to mount to fork arch)

Hangers & Axles:

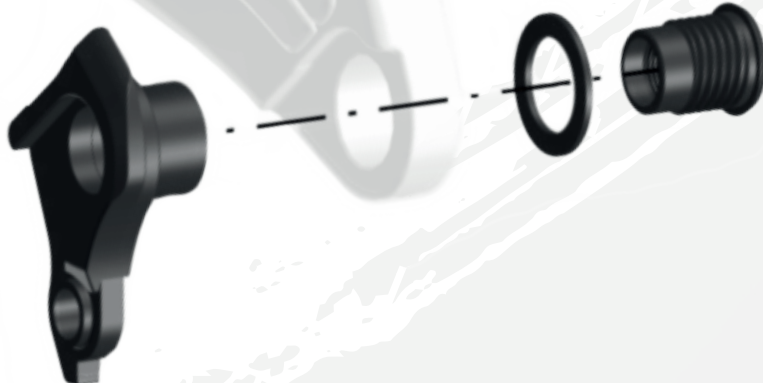
The Patron has only one rear hanger, this is the SRAM UDH.

This is available from your SRAM supplier, it is only available via Scott if you do not have a supplier in your region.

286000 - SCO Dropout Sram UDH 21



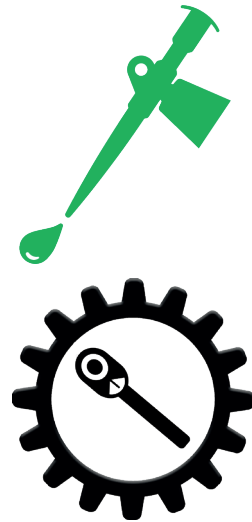
The UDH must be assembled without grease to a torque of 25Nm reverse thread



The rear axle contains a “plug in” tool T30/T25 and M6 Hex key:

290016 - SCO Axle RWS Rear 148x12 Spark Plug 22

The Axle must be assembled with grease, and torqued to 10Nm.



Maximum Seatpost Insertion:

The same for both carbon and alloy front triangles.

S= 245mm

M=265mm

L=300mm

XL=315mm



Cockpit:

The Patron has the new E-bike specific Hixon Handlebar with integrated cable routing:

292623 SCO eRIDE Bar SY Hixon IC Patron Wty 22

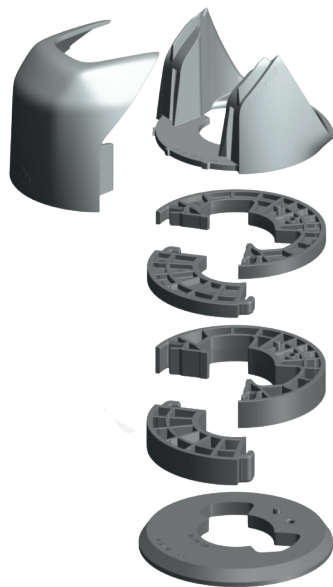
The Patron Headset will be:

288252 SYN Headset ZS66/28.6 - ZS66/46

There is a new spacer kit for the Patron Stem and handlebar:

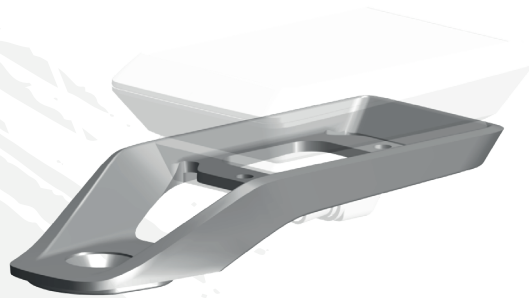
Spacer kit will include Stem and Top cover, headtube cover and 2pcs of 5mm and 3pcs of 10mm spacers. Not cross compatible with the New Spark.

292642 SCO Stem spacer kit Patron 22



There will be a new Kiox holder for the MY22 Hixon IC eRIDE handlebar:

292691 SCO eRIDE Kiox mount Hixon IC 22



Cable Guides & Covers:

The Patron cable routing is internal, the following guides and covers are available:

Chainstay Protector:

292692 SCO eRIDE CST protector Patron 22

Main Pivot cover:

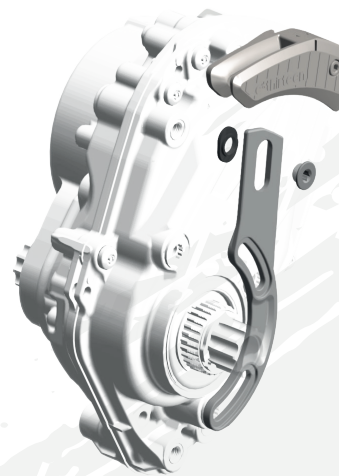
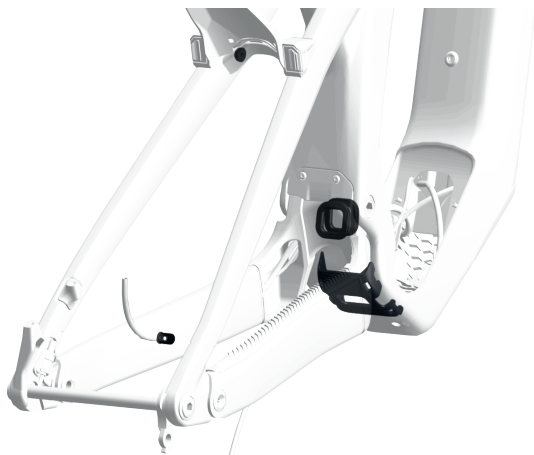
292633 SCO eRIDE M/P cover Patron 22



Cable Guide Kit & Chain Guide.

**294279 SCO eRIDE cableguide set
Patron 22**

**294278 SCO eRIDE Chainguide
Patron 22**



The Patron Features the new thinner cable housings from Jagwire.

294433 SCO Cable kit Spark 22

seatpost / shock / fork, 3mm / outer x3 1.8m / 1mm inner x4 1.5m plus end caps

The shock covers will be different for alloy and carbon front triangles.
The shock cover kit will include all the fixings and brackets.

292628 SCO Shock Cover Patron CB 22

282627 SCO Shock Cover Patron AL 22



The plug cover for the drive unit is also available:

292634 SCO eRIDE Plug cover/ bridge Patron 22



There is a new twinloc system in MY22, with 4 different options in one kit.

290009 - SCO Twinloc downclamp 22



SPARK RC 900	Description	Part Number	Cam Colour
SCO Bike Patron eRIDE 900 Ultimate	Twinloc Int. Bottom	290009	Blue cam
SCO Bike Patron eRIDE 900 Tuned	Twinloc Int. Bottom	290009	Blue cam
SCO Bike Patron eRIDE 900	Twinloc Int. Bottom	290009	Blue cam
SCO Bike Patron eRIDE 910	Twinloc Int. Bottom	290009	Blue cam
SCO Bike Patron eRIDE 920	Twinloc Int. Bottom	290009	Green cam
SCO Bike Contessa Patron eRIDE 900	Twinloc Int. Bottom	290009	Blue cam
SCO Bike Contessa Patron eRIDE 910	Twinloc Int. Bottom	290009	Green cam

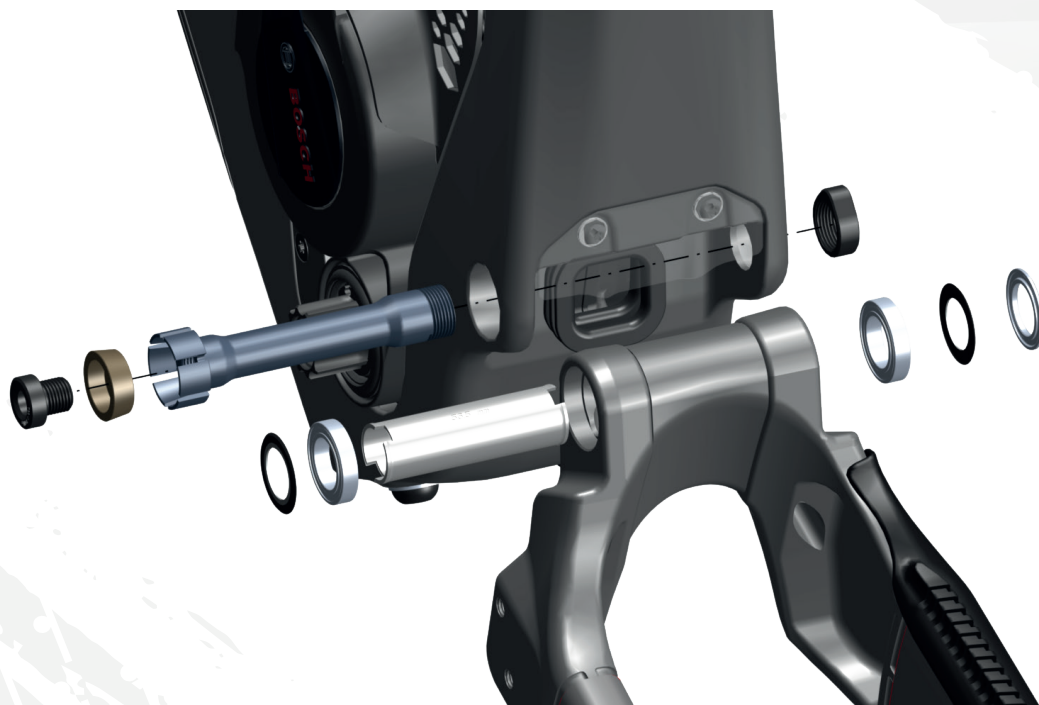
Linkage Overview:

The Patron has a simple bearing system that can be easily maintained.

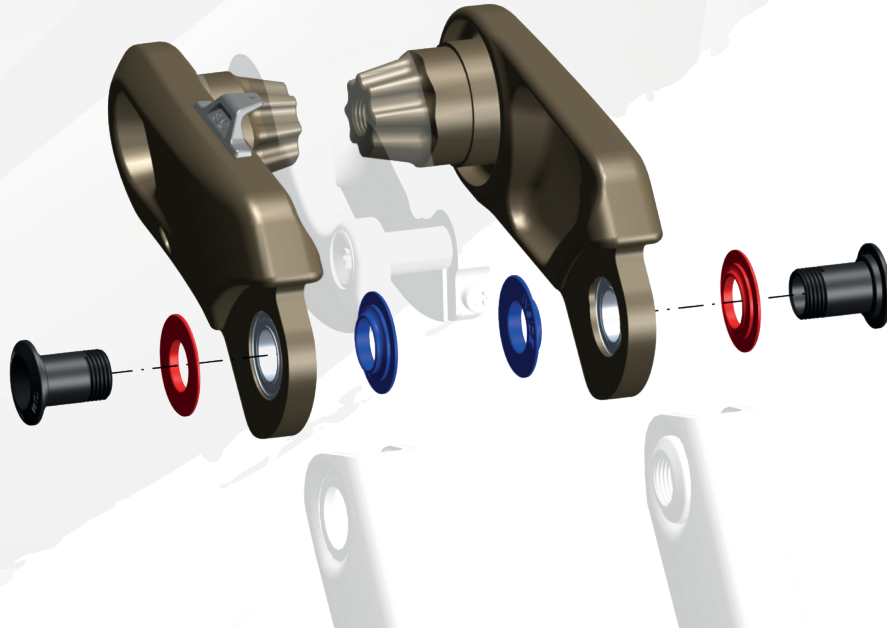
There is a new Swingarm repair kit for the Patron:

291731 SCO eRIDE Swingarm Rep kit Patron 22

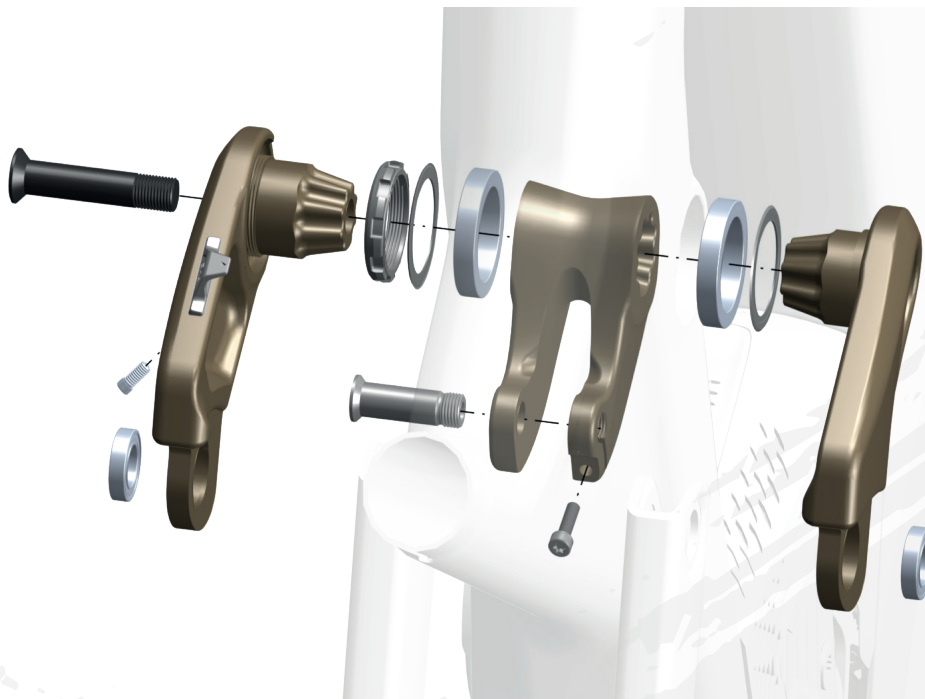
Main Pivot/Chainstay Overview



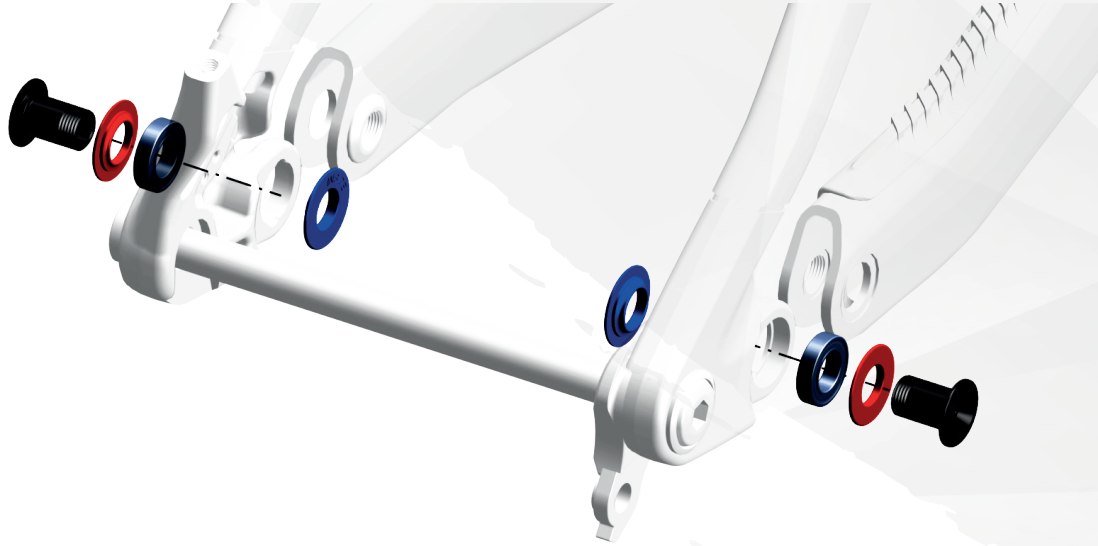
Linkage/Seatstay Overview



Main Linkage Overview

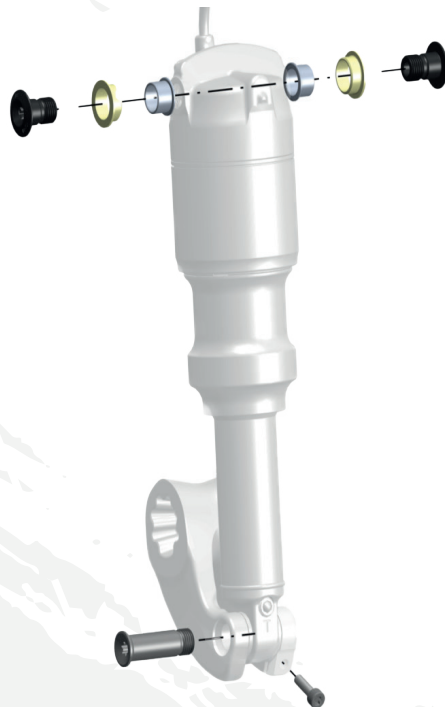


Chainstay/Seatstay Overview



Shock Installation Overview

294281 SCO eRIDE Shock mount bolt kit Patron 22



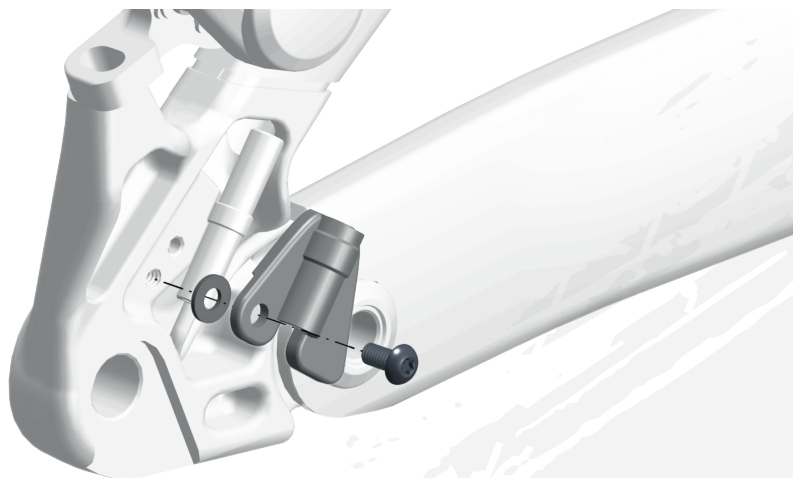
The motor cover kit contains the cover, fixings and screws. The motor cover is the same for both alloy and Carbon Front triangles.

291730 SCO eRIDE Motor Cover Patron 22



Speed sensor including cable is provided by Bosch.
The speed sensor holder is available from SCOTT.

292632 SCO eRIDE S-sensor clip Patron 22



Two different battery covers, one kit for alloy, and one for carbon front triangles.

The kit contains fixations and screws.

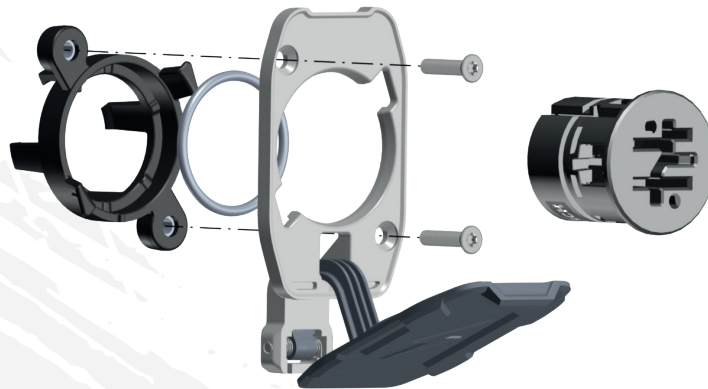
291729 SCO eRIDE Bat Cover Patron CB 22

291728 SCO eRIDE Bat Cover Patron AL 22



Charging Port Assembly:

292625 SCO eRIDE Charging door Patron 22

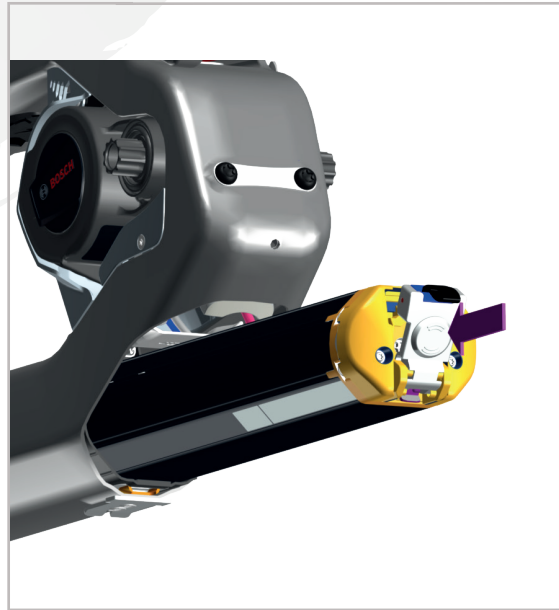


Battery Installation & Removal:



01

Open the battery cover.

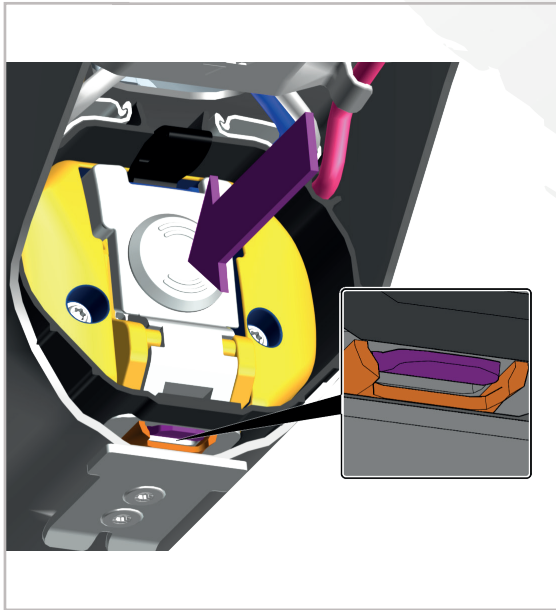


02

Slide the battery into the battery tube.

Make sure the battery is the correct way around!





03

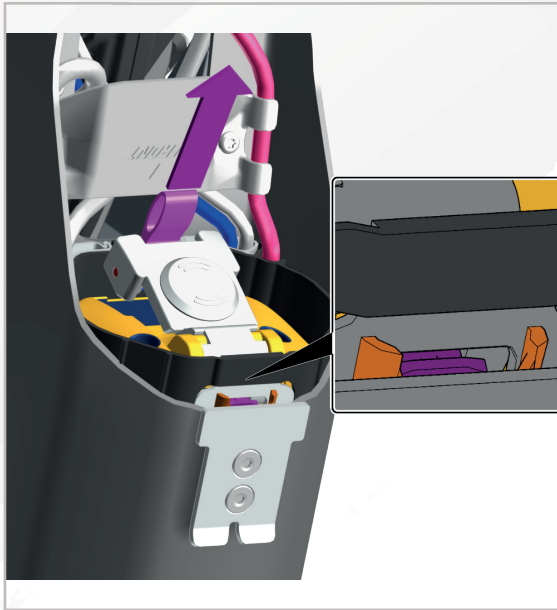
Close the battery door and make sure the catch is engaged correctly.



04

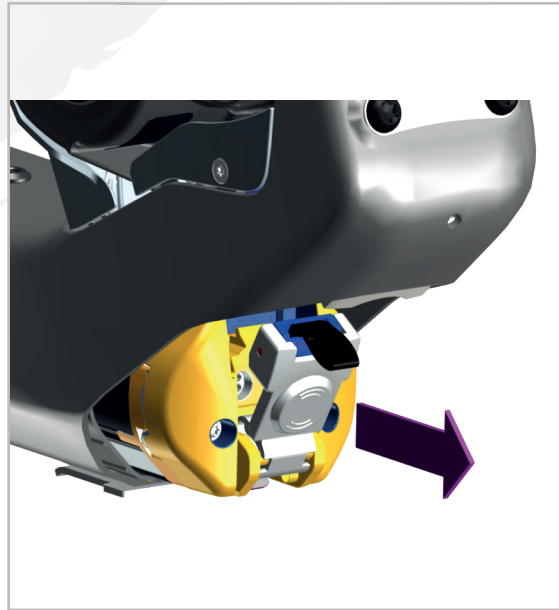
Re-install the battery cover and tighten.





05

To remove the battery, unlock the cover by pulling on the tab. Making sure the catch has disengaged.



06

Slide the battery out of the battery tube.



Rear Light:

The Patron will have a rear light mounted on the seatstays.

The aftermarket light from Syncros will not include the connection cable. This must be purchased from Bosch separately.

(Light Cable for Rear Light 1400mm BCH3330_1400)

288342 SCO eRIDE Rear light/fender Patron 22



Rear and Front lights cables will be pre-installed on all complete bikes (with and without rear light) from the factory. Light settings will as well be enabled.

Water Bottle Capacity:

Patron frame is designed to be used with one cage, and a maximum bottle size of 800 ml.



GUARANTEE ON SCOTT BIKES

What is covered?

This warranty covers defects in materials and workmanship at the time of transfer of risks in frames, swingarms and forks (provided it is a SCOTT fork) on SCOTT branded bikes sold completely assembled by SCOTT or an authorized SCOTT dealer ("Product").

How long does coverage last?

This voluntary manufacturer's warranty is limited to five years for frames and swingarms, respectively two years for forks, from the date of purchase of the Product and is limited to the first purchaser of the Product and subject to the prior registration of your SCOTT bike on www.scott-sports.com within 10 days as of the date of purchase.

Transfer of the Product from the first purchaser to another person terminates this limited warranty.

The limited warranty of five years for the frames and swingarms shall only be granted in a maintenance service has been effected case once a year according to maintenance requirements as set forth in the manual. The effected annual maintenance service shall be confirmed by stamp and signature. In case such an annual maintenance service has not been effected the warranty of five years for the frame shall be reduced to three years. Costs for maintenance and service have to be borne by the owner of the Product.

On Gambler, Voltage Fr and Volt-X the warranty period is limited to two years.

Repaired or replaced Products are covered for the remainder of the original warranty period and subject to the conditions outlined in the original warranty, to the extent permitted by law.

Hereby SCOTT grants a worldwide voluntarily manufacturer's warranty. To the extent permitted by law and unless a shorter duration is stipulated by law, any warranties implied by law are limited in duration to maximum five, respectively two years, from the date of purchase of the Product and are limited to the first purchaser of the Product.

What will SCOTT do in the event of a guarantee case?

SCOTT will replace the defective product with a product of a quality or nature and similar level, will repair or refund the purchase price (after presentation of the proof of purchase of the product), in its sole discretion. Non-defective components are replaced at your expense. In such a case, we will contact you before replacing the non-defective part for your agreement.

What does this limited warranty not cover?

This limited warranty does not cover defects which did not exist before the transfer of risks. This limited warranty does not cover Products used in rental operations. This limited warranty does not cover purchases of not completely assembled bikes.

This limited warranty does not cover any defect caused by "wear and tear" (a complete list of all parts of "wear and tear" can be found in the manual), accident, neglect, improper handling, colour fade due to exposure to sunlight, abuse, misuse, an act of God, improper assembly, non-compliance with recommended maintenance and care procedures, improper or incorrectly performed maintenance or repairs performed by someone other than an authorized SCOTT dealer, use of parts or devices not consistent with the Product, and

alteration of the Product. All Products come with a manual; please carefully follow the instructions located there or affixed elsewhere to the Product. To the extent permitted by law, consequential and incidental damages are not recoverable under this limited warranty.

How do you make a claim under this limited warranty?

To make a claim under this limited warranty, you must notify SCOTT of the claimed defect within the warranty period and timely return the Product to SCOTT at your expense for inspection. Please contact your authorized SCOTT dealer, call SCOTT's customer service or the national SCOTT distributor (dealer locator: www.scott-sports.com). All returned Products must be accompanied by proof of purchase (receipt) from an authorized SCOTT dealer or this limited warranty will not apply. In case of replacement or refund, the returned Product becomes the property of SCOTT.

A protocol for the handing over of the Product (which you will find at the end of the manual) will remain in copy at the SCOTT dealer after acceptance and signature of the consumer. It is obligatory to show this protocol of handing over together with the defective part in case of a warranty claim given that it provides evidence of purchase or this limited warranty will not apply.

How do state laws affect your rights under this limited warranty?

This limited warranty gives you specific legal rights, and you may also have other rights, which vary from state to state.

Recommendation:

We strongly recommend that you use only authorized SCOTT dealers for yearly maintenance services and for repairs, as improper or incorrectly performed maintenance or repairs voids this limited warranty. Costs for maintenance service have to be borne by the consumer.

SCOTT Bike Warranty Periods					
	Year 1	Year 2	Year 3	Year 4	Year 5
SCOTT Bikes					
Gambler, Voltage FR, Volt-X					
Regular Warranty Period					
Option for prolongation according to maintenance intervals shown in manuals attached to bikes					



All rights reserved ©2021 SCOTT Sports SA



ILLUSTRATIONS

Mud: Designed by starline / Freepik



The information contained in this techbook is in various languages but only the English version will be relevant in case of conflict. Although SCOTT Sports SA has published all information contained in this techbook after careful examination, SCOTT Sports SA assumes no liability for being up-to-date, correct, reliable or complete. SCOTT Sports SA reserves the right to change the content of this techbook, particularly colors, materials and specifications, at any time without prior notice. Any liability shall be exempted. Products shown may not be available in all regions, please check with your local SCOTT retailer for availability.



EDITOR

SCOTT SPORTS SA
Route du Crochet 11
1762 Givisiez
Switzerland

Authorized Representative: Beat Zaugg, Pascal Ducrot

Tel: +41 (0)26 460 16 16
Fax: +41 (0)26 460 16 00
webmaster.marketing@scott-sports.com
www.scott-sports.com

Commercial register: Fribourg
Register number: CH-217-0135214-3
VAT-ID: CH466324

