



2024 SCOTT RANSOM MANUAL

CONTENT

THE RANSOM SHOULD BE ADJUSTED EXACTLY TO THE RIDER FOR MAXIMUM SAFETY AND RIDEABILITY.

Please contact your authorized SCOTT dealer for advice in order to avoid technical problems or any harm.

GEOMETRY & TECHNICAL DATA	03
HEADSET ADJUSTMENT	05
SETTING SAG	06
TWINLOC / BEARINGS / FLIP CHIP	07
CABLE ROUTING	08
GENERAL SPARE PARTS	09
MANUFACTURE'S GUARANTEE	12

LEGEND



TORQUE REQUIRED



TASK DIFFICULTY



TORX TOOL SIZE



HEX TOOL SIZE



TORQUE AMOUNT



GREASE REQUIRED



NO GREASE



CARBON GREASE

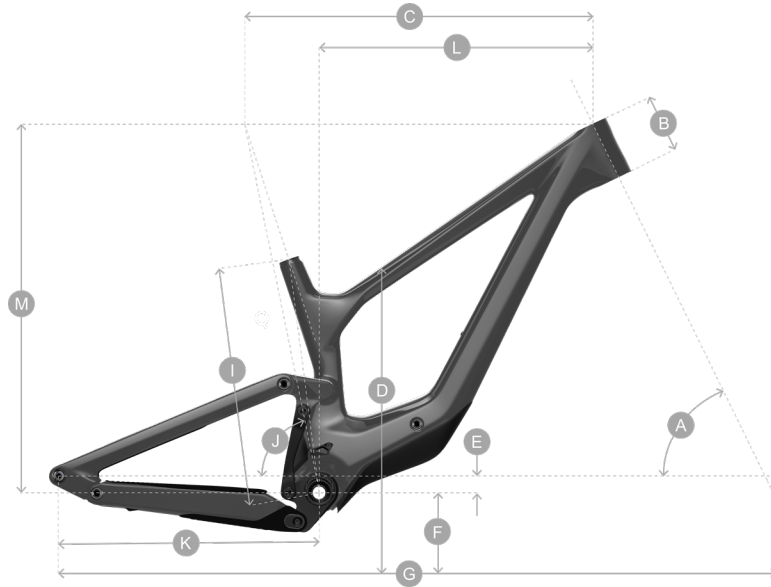


THREADLOC REQUERIDA



BEARING FIT REQUERIDA

GEOMETRY & TECHNICAL DATA

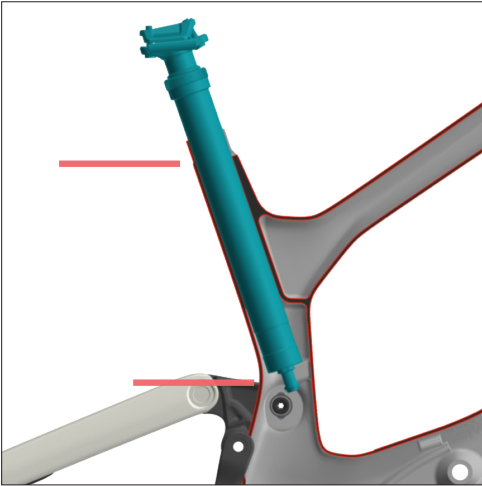


SEATPOST	mm	31.6	HARDWARE M.FRAME	mm	Trunnion
SEATPOST CLAMP	mm	34.9	HARDWARE LINKAGE	mm	8 x 20
TRAVEL	mm	170 Rr 170 Fr	MAX TYRE WIDTH	in	2.5
SHOCK LENGTH	mm	205	CHAINLINE	mm	55
SHOCK STROKE	mm	65	MAX CHAINRING	Tooth	34
			MAX ROTOR	mm	203 Rr 203 Fr (200m Direct)

2024 RANSOM			SM	MED	LG	XL
A	Head tube angle	°	63.8	63.8	63.8	63.8
B	Head tube length	mm	95	100	115	125
C	Top tube horizontal	mm	569.9	598.7	624.4	649.1
D	standover height	mm	719.2	725.4	736.7	755.3
E	BB offset	mm	-25	-25	-25	-25
F	BB height	mm	350	350	350	350
G	Wheelbase	mm	1206.6	1238.8	1270.4	1299.8
I	BB center to TST	mm	380	410	440	470
J	Seat angle	°	77.0	77.2	77.4	77.6
K	Chainstay	mm	440	440	440	440
L	Reach	mm	428	458	483	508
M	Stack	mm	614.8	619.3	632.8	641.7
	Fork Length	mm	581	581	581	581
	Trail	mm	135.5	135.5	135.5	135.5

RANSOM

GEOMETRY & TECHNICAL DATA CONT.



Please observe the maximum seatpost insertion so not to damage the frame.

Small: 184 mm Max Insertion

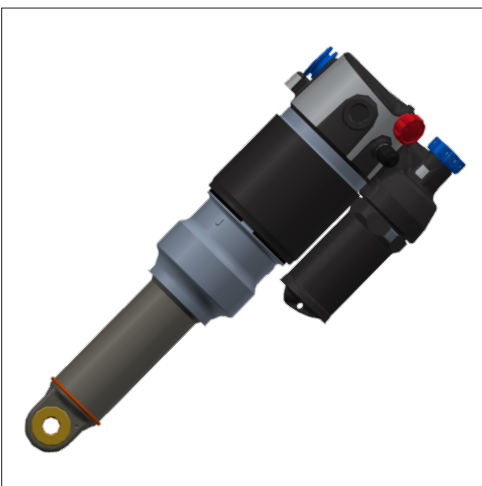
Medium: 214 mm Max Insertion

Large: 244 mm Max Insertion

XL: 273 mm Max insertion



Please note on small sized frames it is only possible to use a 500ml water bottle, with a side entry cage.



COMPATIBLE SHOCK OPTIONS:

⚠ Always check there is enough clearance before riding.

FOX:	Float X/Float X2/DHX/DHX 2
ROCKSHOX:	Superdeluxe Air
OHLINS:	TTX22 Coil / TTX2 Air
Marzocchi:	Bomber Air + Coil

RANSOM

HEADSET ADJUSTMENT



It is important to install the headset correctly depending on the set up required. There are two types of headset cups.

0° & 0.6° (64° & 65°) These can be indentified from the stamp on the inner surface of the headset cup.

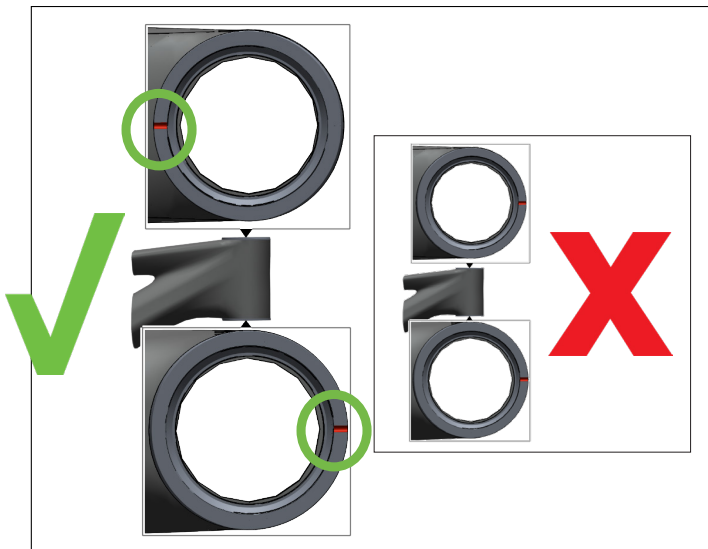
The headset is available in two options:

288251 SYN HEADSET ZS56/28.6-ZS56/40 MTB

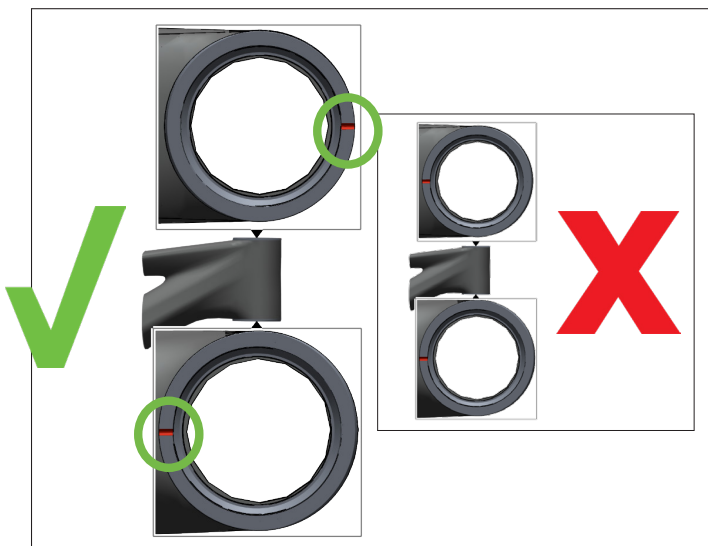
290060 SCO HEADSET CUP KIT SPARK 22



Do not use a standard headset tool to remove these plastic headset cups.



Slacker



Steeper

RANSOM

SETTING SAG



- 01** Put the Tracloc lever in the OPEN position. Wear your normal riding gear, set the sage meter to zero.



- 02** Gently sit on the bike allowing the sag meter to move. Once completed dismount the bike gently. Check the value.



If the sag value is not to your liking within the sag range indicated, access the shock by removing the cover and adjusting the pressure as indicated.

RANSOM

TRACLOC ONLY

BOLD TRACLOC LINKIN 22	P/N: 291219
SCO TWINLOC ADAPTER OFFSET 23	P/N: 421286
SCO TWINLOC ADAPTER INLINE 23	P/N: 421287
SCO TWINLOC BAR CLAMP 22	P/N: 292621

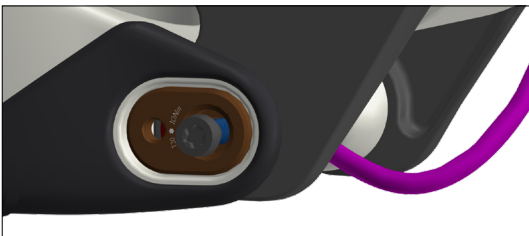
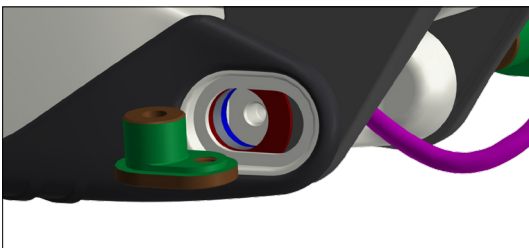
RANSOM

LINKAGE BEARINGS

LOWER LINKAGE / CHAINSTAY	61802
LINKAGE / SEAT TUBE	61802
LINKAGE / SEATSTAY	61802
SEATSTAY / CHAINSTAY	61802
BOTTOM BRACKET	61810
TIE LINKS (TOP AND BOTTOM)	61810

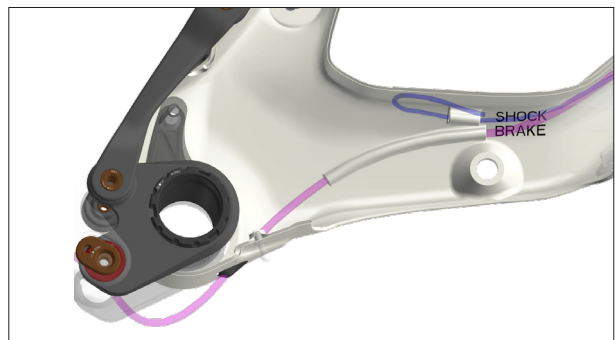
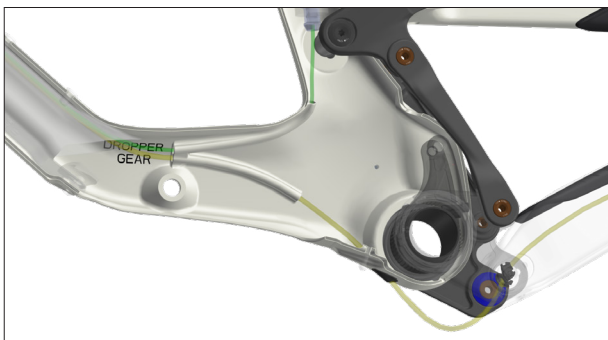
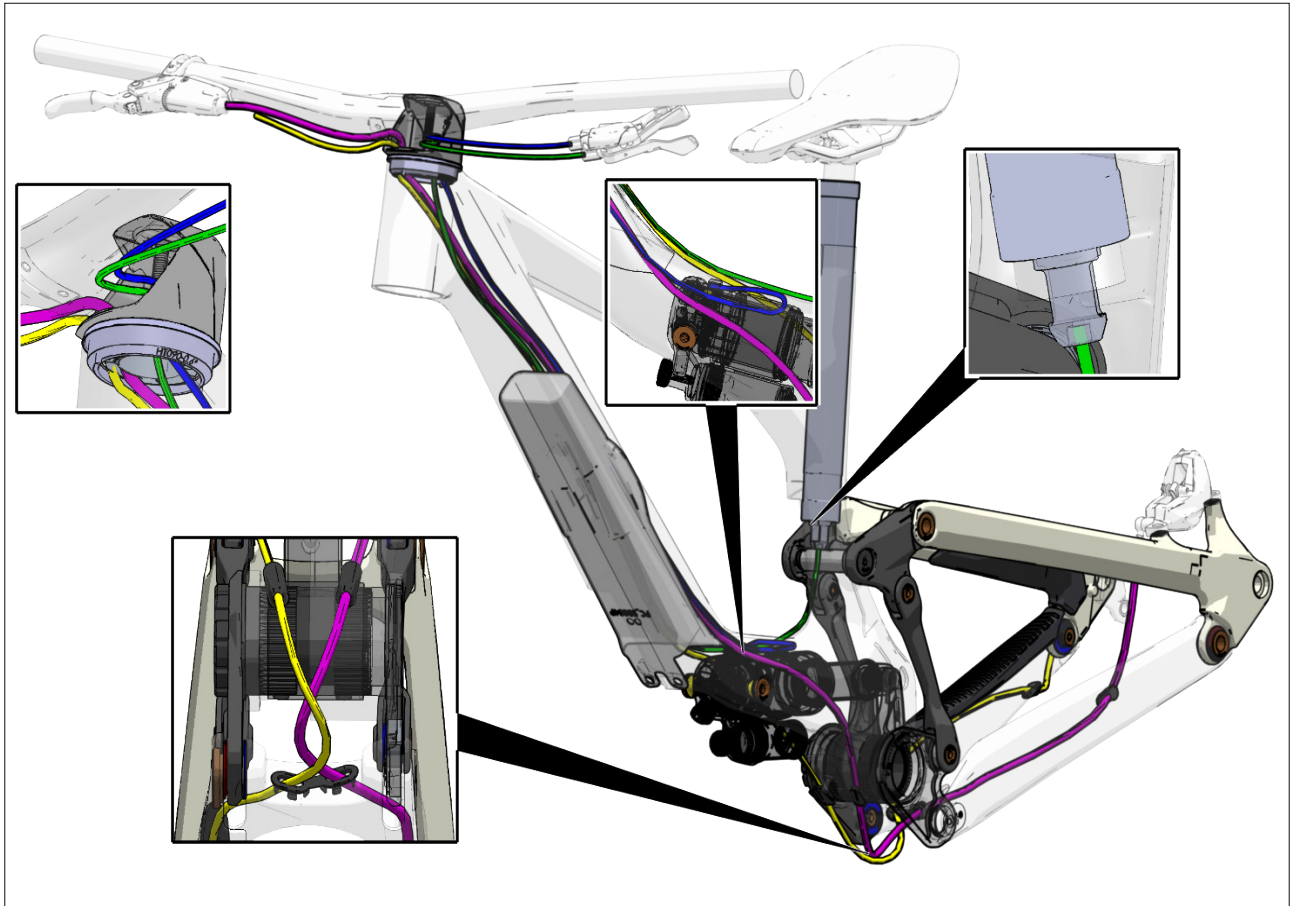
RANSOM

FLIP CHIP



RANSOM

CABLE ROUTING



Brake/Derailleur/Tracloc/Dropper Cable Routing

RANSOM

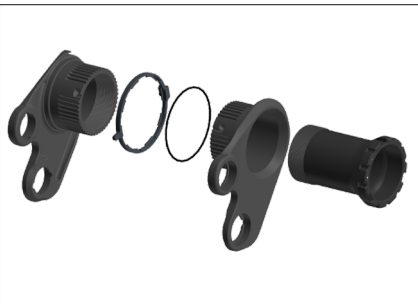
GENERAL SPARE PARTS



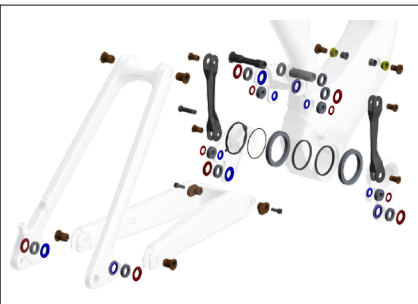
421611 SCO SAG INDICATOR RANSOM 24



421610 SCO Link Tie Ransom 24



421589 SCO LINK LOWER OUTER LINK RANSOM 24



421612 SCO SWINGARM REP KIT RANSOM 24



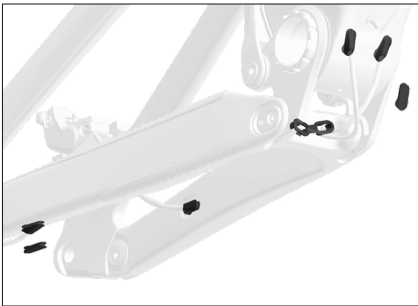
421623 SCO M/P COVER RANSOM 24

RANSOM

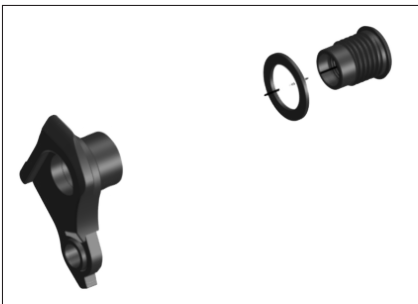
GENERAL SPARE PARTS



421621 SCO CABLE/SHOCK DT COVER RANSOM 24



421624 SCO CABLEGUIDE SET RANSOM 24



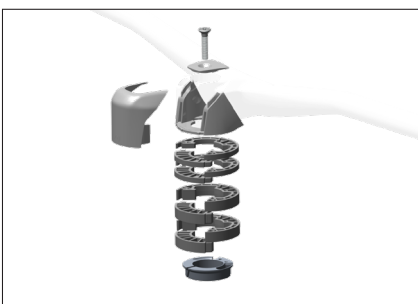
286000 SCO DROPOUT SRAM UDH 21



Reverse Thread



296609 SCO AXLE RWS REAR 148X12 GENSCAL PLUG 23



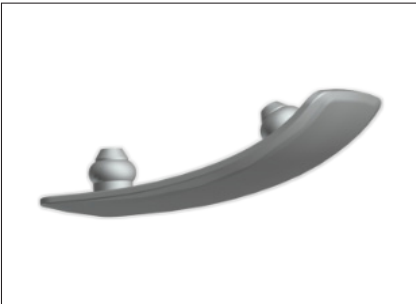
297522 SCO STEM SPACER/TOP CAP GENIUS 23

RANSOM

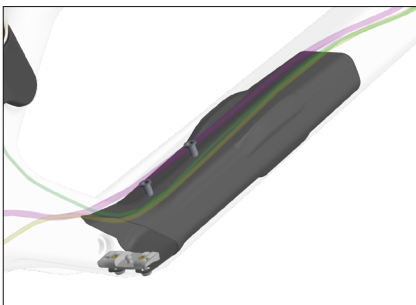
GENERAL SPARE PARTS



421622 SCO CHAINGUIDE RANSOM 24



297086 SCO STEM ACCESSORY COVER COMBO 22

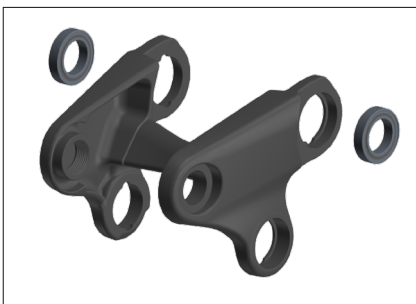


421614 SCO DT INTERNAL STORAGE SLEEVE RANSOM 24

420546 SCO DT TOOL BAG RANSOM 24



414155 SCO LINK LOWER INNER RANSOM 24



414151 SCO LINK UPPER RANSOM 900 RC 24

414152 SCO LINK UPPER RANSOM 910 24

414153 SCO LINK UPPER RANSOM 920 24

414154 SCO LINK UPPER RANSOM 930 24

414165 SCO LINK UPPER CONTESSA RANSOM 910 24

MANUFACTURER'S GUARANTEE,

When purchasing a new SCOTT bicycle from an authorized SCOTT dealer, SCOTT grants a manufacturer's guarantee subject to the following provisions.

CONDITIONS

The manufacturer's guarantee is only granted to the first-time buyer of a SCOTT bicycle who has purchased it from an authorized SCOTT dealer. The manufacturer's guarantee only applies if the bicycle is registered to the first buyer at www.scott-sports.com within ten days of purchase.

DURATION

The manufacturer's guarantee is granted from the date of purchase for a period of five years on bicycle frames and rear ends. The guarantee period is reduced to three years, if the SCOTT bicycle is not serviced at least once a year by an authorized SCOTT dealer. Maintenance services must be carried out in accordance with the maintenance instructions in the SCOTT manual and must be confirmed there by the stamp and signature of the authorized SCOTT dealer.

For frames and rear ends of Category 5 bicycle models and for rigid forks manufactured by SCOTT, the duration of the manufacturer's guarantee is limited to two years.

If a defect on the SCOTT bicycle is remedied within the scope of a manufacturer's guarantee or a warranty claim, the duration of the manufacturer's guarantee is not extended. The manufacturer's guarantee ends, when the first-time buyer transfers ownership of the SCOTT bicycle to a third person.

ASSERTION

The manufacturer's guarantee is provided by SCOTT Sports SA, Route du Crochet 11, 1762 Givisiez, Switzerland. The buyer must inspect the SCOTT bicycle immediately after purchase and notify his authorized SCOTT dealer at once in writing of any obvious defects. Hidden defects must be reported immediately after their discovery. In the event of a guarantee claim, the SCOTT bicycle must be handed over to an authorized SCOTT dealer. The latter will contact SCOTT to remedy the defect. The assertion of a guarantee claim always requires the presentation of the original proof of purchase as well as the proof of maintenance service in the SCOTT manual.

Performance of SCOTT in the event of a guarantee claim

In the event of a guarantee claim, SCOTT will, at its own discretion, repair the defect or replace the defective product with a product of similar quality, whereby colour and model deviations are possible. If a repair or replacement is not possible, a purchase price refund will be made taking into account previous use. SCOTT is entitled to commission third parties to remedy the defect.

LIMITATIONS

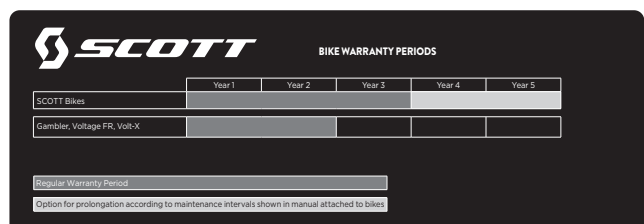
The manufacturer's guarantee applies exclusively to frames, swingarms and rigid forks of SCOTT bicycles. Bicycle components are excluded from this manufacturer's guarantee.

The manufacturer's guarantee does not apply to normal wear and tear, damage caused by accidents or other excessive force on the SCOTT bicycle, corrosion, improper maintenance, incorrect assembly and assembly of unsuitable components or accessories as well as cosmetic defects, for example in the varnish.

The manufacturer's guarantee does not apply to SCOTT bicycles that have been used in a rental shop.

MISCELLANEOUS

These manufacturer's guarantee provisions apply to all SCOTT bicycles as of model year 2023. Statutory warranty rights of the buyer and guarantees of component manufacturers (Shimano, SRAM etc.) remain unaffected by this manufacturer's guarantee. The place of jurisdiction for all disputes in connection with this manufacturer's guarantee is Freiburg, Switzerland. This manufacturer's guarantee is subject to Swiss law to the exclusion of all legislation that refers to foreign law.



	Year 1	Year 2	Year 3	Year 4	Year 5
SCOTT Bikes					
Gambler, Voltage FR, Volt-X					
Original Warranty Period					
Option for prolongation according to maintenance intervals shown in manual attached to bikes					



All rights reserved
© 2023 SCOTT Sports SA

Distribution:
SSG (Europe) Distribution Center SA
P.E.D. Zone C1
Rue du Kiell 60
6790 Aubange
Belgium

SCOTT Sports SA
Route du Crochet 11
1762 Givisiez
Switzerland

webmaster.marketing@scott-sports.com
www.scott-sports.com

