



# 2024 SCOTT VOLTAGE eRIDE MANUAL

# CONTENT

THE VOLTAGE eRIDE SHOULD BE ADJUSTED EXACTLY TO THE RIDER FOR MAXIMUM SAFETY AND RIDEABILITY.

Please contact your authorized SCOTT dealer for advice in order to avoid technical problems or any harm.

GEOMETRY & TECHNICAL DATA	03
HEADSET ADJUSTMENT	05
SETTING SAG	06
TWINLOC	07
TQ SYSTEM MANUALS	07
TQ SPARE PARTS	08
CABLE ROUTING	10
GENERAL SPARE PARTS	11
MANUFACTURE'S GUARANTEE	14

# LEGEND



TORQUE REQUIRED



TASK DIFFICULTY



TORX TOOL SIZE



HEX TOOL SIZE



TORQUE AMOUNT



GREASE REQUIRED



NO GREASE REQUIRED



CARBON GREASE

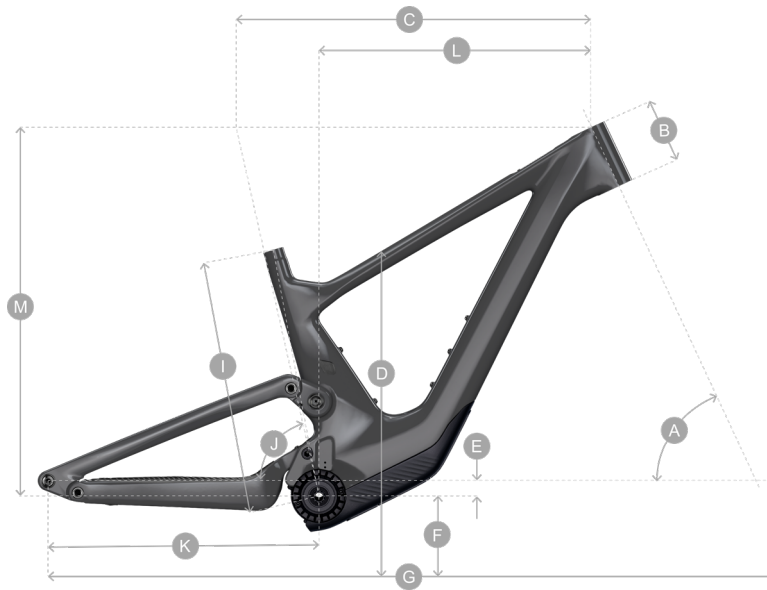


THREADLOC REQUIRED



BEARING FIT REQUIRED

# GEOMETRY & TECHNICAL DATA



<b>SEATPOST</b>	mm	31.6	<b>HARDWARE M.FRAME</b>	mm	Trunnion
<b>SEATPOST CLAMP</b>	mm	34.9	<b>HARDWARE LINKAGE</b>	mm	8 x 20
<b>TRAVEL</b>	mm	155 Rr 160 Fr (920) 150/155	<b>MAX TYRE WIDTH</b>	in	2.6
<b>SHOCK LENGTH</b>	mm	185	<b>MAIN PIVOT / CHAINSTAY</b>	mm	61802-2RS x 2
<b>SHOCK STROKE</b>	mm	55	<b>LINKAGE / SEATTUBE</b>	mm	61806-2RS x 2
<b>MAX ROTOR</b>	mm	203 Rr 203 Fr	<b>SEATSTAY / CHAINSTAY</b>	mm	61801-2RS x 4
<b>MAX CHAINRING</b>	Tooth	34	<b>CHAINLINE</b>	mm	55

2024 VOLTAGE eRIDE			SM	MED	LG	XL
A	Head tube angle	°	63.9	63.9	63.9	63.9
B	Head tube length	mm	110	110	120	130
C	Top tube horizontal	mm	580	600	630	660
D	standover height	mm	765	765	772	788
E	BB offset	mm	27	27	27	27
F	BB height	mm	350	350	350	350
G	Wheelbase	mm	1233	1253	1285	1317
I	BB center to TST	mm	405	425	450	480
J	Seat angle	°	77.1	77.1	77.1	77.1
K	Chainstay	mm	455	455	455	455
L	Reach	mm	437	457	485	513
M	Stack	mm	622	622	631	640
	Fork Length	mm	44	44	44	44
	Trail	mm	136	136	136	136

# VOLTAGE eRIDE

## GEOMETRY & TECHNICAL DATA CONT.



Please observe the maximum seatpost insertion so not to damage the frame.

Small: 190 mm Max Insertion

Medium: 210 mm Max Insertion

Large: 235 mm Max Insertion

X-Large: 265 mm Max Insertion



A 500 ml water bottle (with a side entry cage) and a TQ Range Extender can be used on all frame sizes.

# VOLTAGE eRIDE

## HEADSET ADJUSTMENT



It is important to install the headset correctly depending on the set up required. There are two types of headset cups.

0° & 0.6° ( 64° & 65°) These can be identified from the stamp on the inner surface of the headset cup.

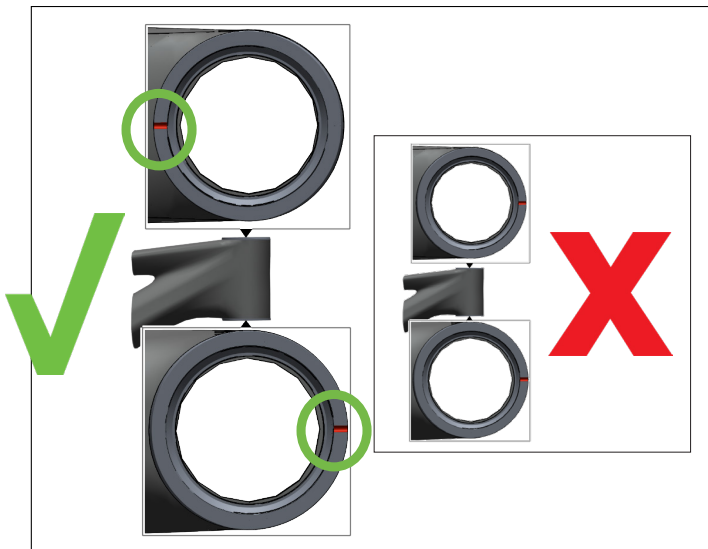
The headset is available in two options:

288251 SYN HEADSET ZS56/28.6-ZS56/40 MTB

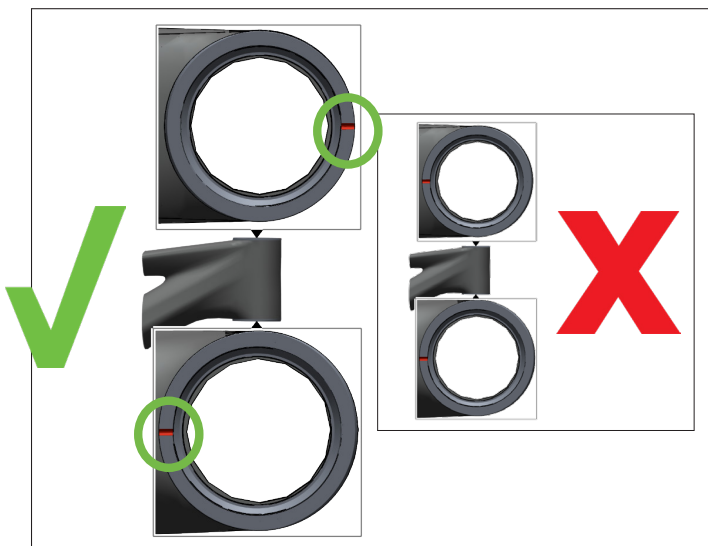
290060 SCO HEADSET CUP KIT SPARK 22



Do not use a standard headset tool to remove these plastic headset cups.



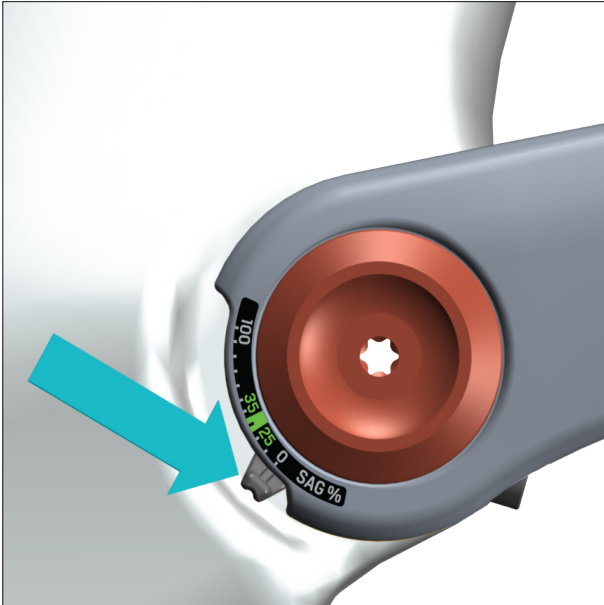
Slacker



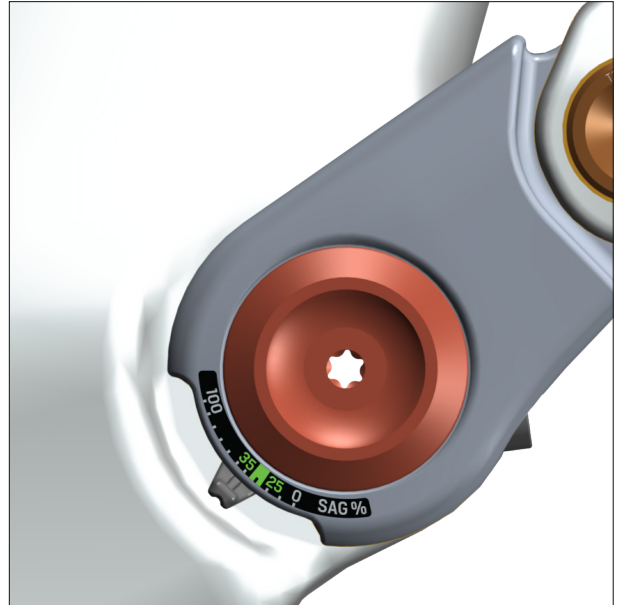
Steeper

# VOLTAGE eRIDE

## SAG ADJUSTMENT



**01** Wear your normal riding gear, set the sag meter to zero & the twinloc in the open position.



**02** Gently sit on the bike allowing the sag meter to move. Once completed dismount the bike gently. Check the value.



If the sag value is not to your liking within the sag range indicated, adjust the shock pressure as indicated.

# VOLTAGE eRIDE

## TWINLOC

MODEL	NAME	PART NO.	CAM TYPE	DROPPER
VOLTAGE eRIDE 900 SL	TWINLOC	290009	BLUE CAM	YES
VOLTAGE eRIDE 900 TND	TRACLOC	291219	BLUE CAM	YES
VOLTAGE eRIDE 910	TWINLOC	290009	BLUE CAM	YES
VOLTAGE eRIDE 920	TWINLOC	290009	BLUE CAM	YES

# VOLTAGE eRIDE



FOR TQ SYSTEM INSTALLATION  
PLEASE GO TO YOUR NEAREST  
AUTHORISED SCOTT DEALER.

## TQ SYSTEM MANUALS



Motor Manual  
(Multi Languages)



Battery Manual  
(Multi Languages)



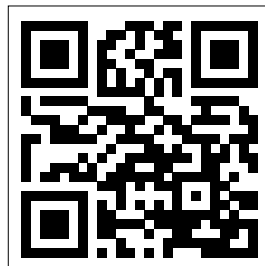
Display Manual  
(Multi Languages)



Range Extender Manual  
(Multi Languages)



Charger Manual  
(Multi Languages)



General Service Manual  
(English Only)

# VOLTAGE eRIDE

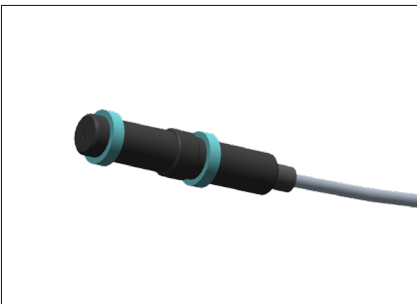
## TQ SPARE PARTS



422378 SCO eRTQ RGE EXT. CABLE MTB V02 VOLTAGE



294537 SCO eRIDE TQ RANGE EXTENDER



296209 SCO eRIDE TQ SPEEDSENSOR 23



296217 SCO eRIDE TQ LOCKRING SET 23

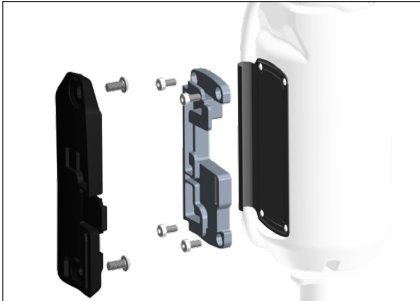


296216 SCO eRIDE TQ H-BAR REMOTE SET 23



# VOLTAGE eRIDE

## TQ SPARE PARTS



422379 SCO eR VOLTAGE 24 TQ RANGE EXT. HOLDER



292632 SCO eRIDE S-SENSOR CLIP PATRON 22  
(SHIMANO ROTOR)

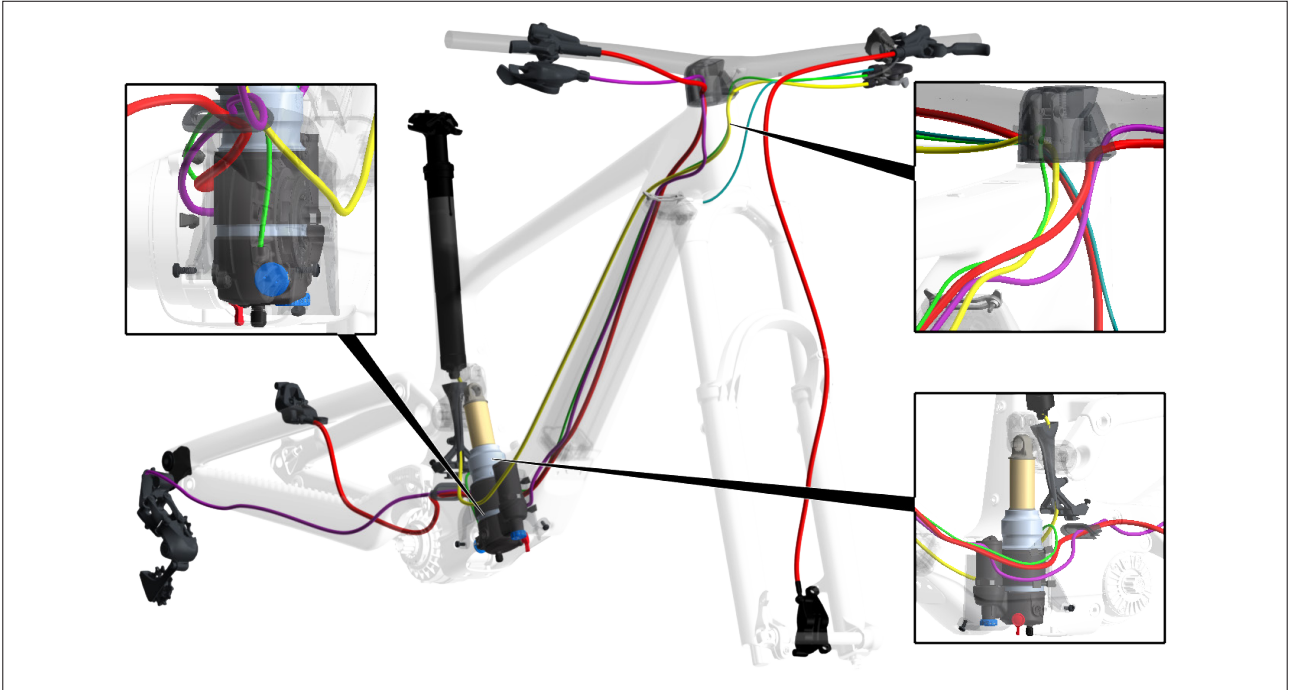


422372 SCO eRIDE SPEEDSENSOR CLIP VOLTAGE  
CL 24 (SRAM ROTORS)

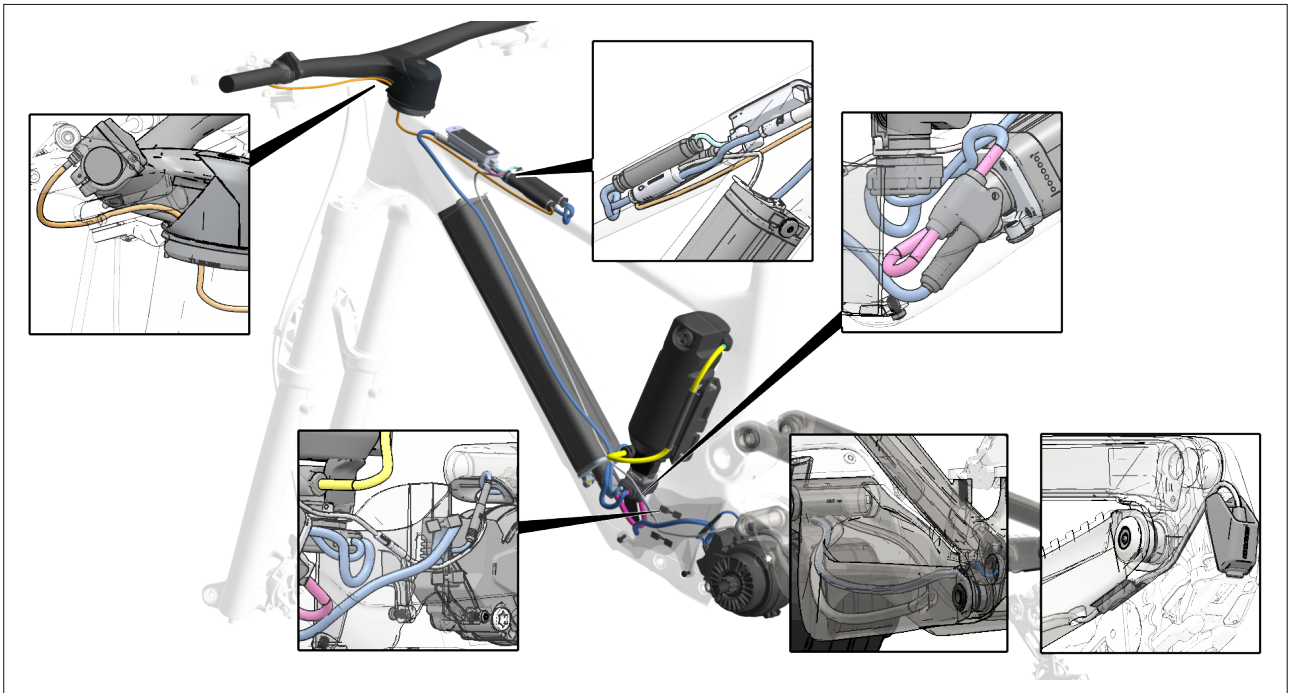


# VOLTAGE eRIDE

## CABLE ROUTING



Brake/Derailleur/Twinloc/Dropper Cable Routing



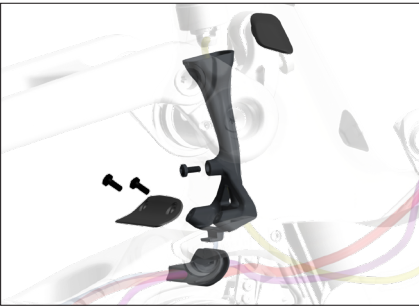
TQ System

# VOLTAGE eRIDE

## GENERAL SPARE PARTS



421225 SCO ERIDE CHAINGUIDE VOLTAGE 24



421226 SCO ERIDE CABLEGUIDE COVER KIT VOLT 24



421224 SCO ERIDE SHOCK COVER VOLTAGE 24



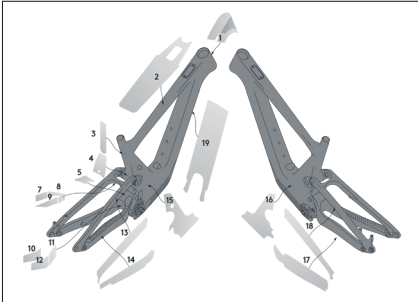
421222 SCO ERIDE SHOCK SLEEVE VOLTAGE 24



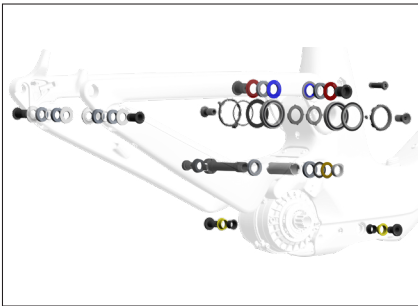
421223 SCO ERIDE SHOCK EXTENSION VOLTAGE 24

# VOLTAGE eRIDE

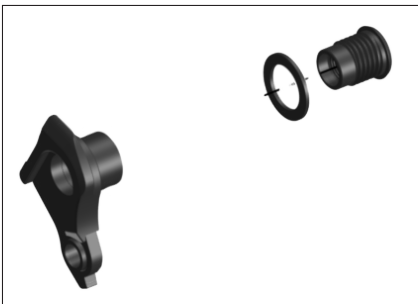
## GENERAL SPARE PARTS



421701 SYN FRAME PROTECTION KIT VOLTAGE 24



421229 SCO ERIDE SWINGARM REP KIT VOLTAGE 24



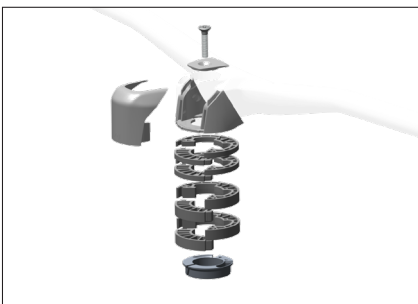
286000 SCO DROPOUT SRAM UDH 21



Reverse Thread



296609 SCO AXLE RWS REAR 148X12 GENSCAL PLUG 23



297522 SCO STEM SPACER/TOP CAP GENIUS 23

# VOLTAGE eRIDE

## GENERAL SPARE PARTS



297086 SCO STEM ACCESSORY COVER COMBO 22



422663 SCO ERIDE LINKAGE HARDWARE KIT VOLT 24



414184 SCO LINK INNER VOLTAGE-ER 24

# MANUFACTURER'S GUARANTEE,

When purchasing a new SCOTT bicycle from an authorized SCOTT dealer, SCOTT grants a manufacturer's guarantee subject to the following provisions.

## CONDITIONS

The manufacturer's guarantee is only granted to the first-time buyer of a SCOTT bicycle who has purchased it from an authorized SCOTT dealer. The manufacturer's guarantee only applies if the bicycle is registered to the first buyer at [www.scott-sports.com](http://www.scott-sports.com) within ten days of purchase.

## DURATION

The manufacturer's guarantee is granted from the date of purchase for a period of five years on bicycle frames and rear ends. The guarantee period is reduced to three years, if the SCOTT bicycle is not serviced at least once a year by an authorized SCOTT dealer. Maintenance services must be carried out in accordance with the maintenance instructions in the SCOTT manual and must be confirmed there by the stamp and signature of the authorized SCOTT dealer.

For frames and rear ends of Category 5 bicycle models and for rigid forks manufactured by SCOTT, the duration of the manufacturer's guarantee is limited to two years.

If a defect on the SCOTT bicycle is remedied within the scope of a manufacturer's guarantee or a warranty claim, the duration of the manufacturer's guarantee is not extended. The manufacturer's guarantee ends, when the first-time buyer transfers ownership of the SCOTT bicycle to a third person.

## ASSERTION

The manufacturer's guarantee is provided by SCOTT Sports SA, Route du Crochet 11, 1762 Givisiez, Switzerland. The buyer must inspect the SCOTT bicycle immediately after purchase and notify his authorized SCOTT dealer at once in writing of any obvious defects. Hidden defects must be reported immediately after their discovery. In the event of a guarantee claim, the SCOTT bicycle must be handed over to an authorized SCOTT dealer. The latter will contact SCOTT to remedy the defect. The assertion of a guarantee claim always requires the presentation of the original proof of purchase as well as the proof of maintenance service in the SCOTT manual.

Performance of SCOTT in the event of a guarantee claim

In the event of a guarantee claim, SCOTT will, at its own discretion, repair the defect or replace the defective product with a product of similar quality, whereby colour and model deviations are possible. If a repair or replacement is not possible, a purchase price refund will be made taking into account previous use. SCOTT is entitled to commission third parties to remedy the defect.

## LIMITATIONS

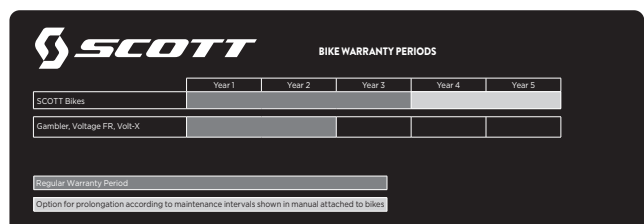
The manufacturer's guarantee applies exclusively to frames, swingarms and rigid forks of SCOTT bicycles. Bicycle components are excluded from this manufacturer's guarantee.

The manufacturer's guarantee does not apply to normal wear and tear, damage caused by accidents or other excessive force on the SCOTT bicycle, corrosion, improper maintenance, incorrect assembly and assembly of unsuitable components or accessories as well as cosmetic defects, for example in the varnish.

The manufacturer's guarantee does not apply to SCOTT bicycles that have been used in a rental shop.

## MISCELLANEOUS

These manufacturer's guarantee provisions apply to all SCOTT bicycles as of model year 2023. Statutory warranty rights of the buyer and guarantees of component manufacturers (Shimano, SRAM etc.) remain unaffected by this manufacturer's guarantee. The place of jurisdiction for all disputes in connection with this manufacturer's guarantee is Freiburg, Switzerland. This manufacturer's guarantee is subject to Swiss law to the exclusion of all legislation that refers to foreign law.



	Year 1	Year 2	Year 3	Year 4	Year 5
SCOTT Bikes					
Gambler, Voltage FR, Volt-X					
Original Warranty Period					
Option for prolongation according to maintenance intervals shown in manual attached to bikes					



All rights reserved  
© 2023 SCOTT Sports SA

Distribution:  
SSG (Europe) Distribution Center SA  
P.E.D. Zone C1  
Rue du Kiell 60  
6790 Aubange  
Belgium

SCOTT Sports SA  
Route du Crochet 11  
1762 Givisiez  
Switzerland

webmaster.marketing@scott-sports.com  
www.scott-sports.com



Points de collecte sur [www.quefairedemesdechets.fr](http://www.quefairedemesdechets.fr)  
Privilégiez la réparation ou le don de votre appareil !