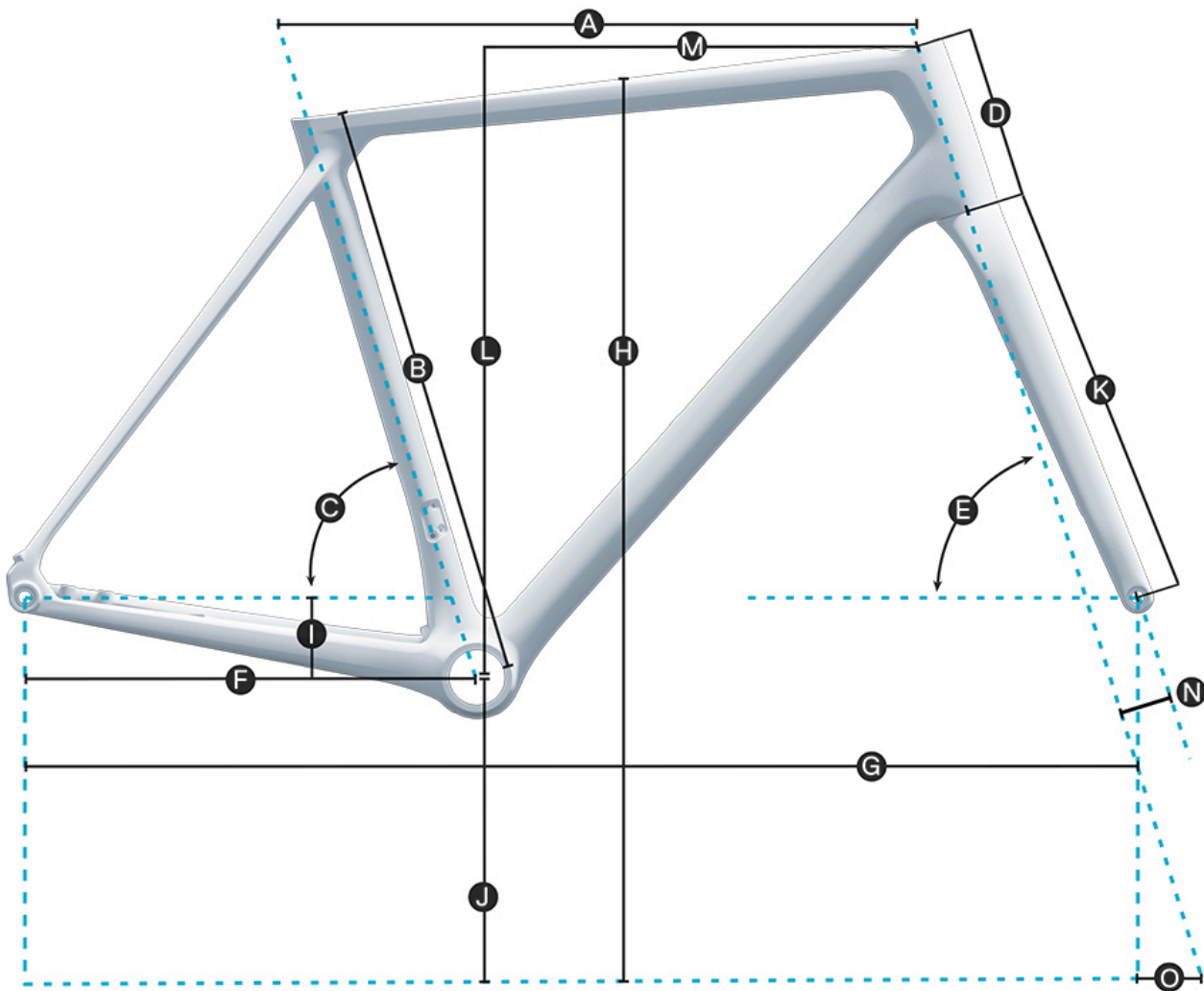


Geometry - 2025 Felt VR PRO Ultegra Di2



	43	47	51	54	56	58	61
(A) Top Tube Length	492.1 mm	511 mm	523.6 mm	543.1 mm	562.3 mm	580.8 mm	594.7 mm
(B) Seat Tube Length	386 mm	406 mm	426 mm	456 mm	476 mm	496 mm	526 mm
(C) Seat Tube Angle	75.3 °	74.7 °	74.5 °	74 °	73.5 °	73 °	73 °
(D) Head Tube Length	110 mm	125 mm	140 mm	160 mm	180 mm	200 mm	220 mm
(E) Steering Angle	70.3 °	71.3 °	72 °	72.5 °	72.5 °	72.5 °	72.5 °
(F) Chain Stay Length	415 mm	415 mm	415 mm	415 mm	415 mm	417 mm	417 mm
(G) Wheel Base	980 mm	985.2 mm	988.8 mm	998.9 mm	1013 mm	1028.1 mm	1042.2 mm
(H) Standover Height	717.2 mm	739 mm	760.7 mm	790.8 mm	812 mm	833.3 mm	861.6 mm
(I) BB-Drop	72 mm	72 mm	70 mm	70 mm	70 mm	70 mm	70 mm
(J) BB Height	268.3 mm	268.3 mm	268.3 mm	268.3 mm	268.3 mm	268.3 mm	268.3 mm
(K) Fork Offset	52 mm	52 mm	50 mm	50 mm	50 mm	50 mm	50 mm

	43	47	51	54	56	58	61
(L) Stack	521.4 mm	539.4 mm	554.8 mm	575.7 mm	594.8 mm	613.8 mm	632.9 mm
(M) Reach	355.3 mm	363.4 mm	369.7 mm	378 mm	386.1 mm	393.1 mm	401.2 mm
(N) Stem Length	100 mm	100 mm	100 mm	100 mm	100 mm	110 mm	120 mm
(O) Crank Length	167.5 mm	167.5 mm	170 mm	172.5 mm	172.5 mm	175 mm	175 mm