

SALSA

CONFLUENCE

HUB DRIVE MOTOR / 250WH BATTERY / 40Nm / 20MPH

MAHLE EBIKEMOTION X35

EN: SUPPLEMENTAL MANUAL

FR: MANUEL SUPPLÉMENTAIRE

IMPORTANT: THIS MANUAL CONTAINS IMPORTANT SAFETY, PERFORMANCE AND SERVICE INFORMATION.
READ IT BEFORE YOU TAKE THE FIRST RIDE ON YOUR NEW BICYCLE, AND KEEP IT FOR REFERENCE.

SALSA CYCLES

6400 West 105th Street, Bloomington, MN 55438

Tel: 877-668-6223 Fax: 952-983-6210

www.salsacycles.com

For additional product and safety information go to salsacycles.com/safety

At Salsa, we believe that adventure makes life better. Our products lead riders to new places, new people, extraordinary achievements, and unforgettable experiences.

Thank you for your purchase. We hope it makes a good riding experience even better!

Salsa. Adventure by bike.®

This manual contains important ebike safety, performance, and service information. Read it before you take the first ride on your new electric bicycle and keep it for reference.

Additional safety, performance and service information for specific components such as on your bicycle or for accessories such as helmets or lights that you purchase may also be available. Make sure that your dealer has given you all the manufacturers' literature that was included with your bicycle or accessories. In case of a conflict between the instructions in this manual and information provided by a component manufacturer, always follow the component manufacturer's instructions. If you have any questions or do not understand something, take responsibility for your safety and consult with your dealer or the bicycle's manufacturer.

Your Salsa bicycle has an electric pedal-assist drive system. When the assist system is ON, the motorized drive unit will only engage when you are pedaling; when the assist system is OFF, the ebike will operate like any non-motorized bicycle.

The amount of power provided depends on your pedaling force and the assistance mode you set with the handlebar control unit. When you stop pedaling, the motorized assistance will disengage. Pedal assistance will reduce as you approach 20 mph (32 kph) and cut off at any speed above that.

Before your first extended ride, take time to practice in a safe area and learn the controls to your ebike until you are confident in your handling and can focus on the ride.

Use Warnings

▲ WARNING: It is your responsibility to know and follow all local laws and regulations. Ebike laws can vary by city and state, you may need to fit your bicycle with additional equipment to comply with local laws. Only ride your ebike according to the approved local laws. Do not ride your bicycle until all locally required reflectors, lighting, and other safety devices have been installed by a professional bike mechanic. Special licensing or permits may be required.

▲ WARNING: Do not attempt to tamper with your e-bike especially the maximum speed that it supports. Doing this may put yourself and others at risk, and you could also violate federal and local regulations. Do not make any modifications to your ebike system or fit any other products that might increase the performance of your ebike system.

Avoid using your ebike in extreme weather conditions. All the Mahle pedal-assist system components have an IP54 water resistance rating that protects them against rain and splashes; however, extreme weather conditions may damage the components.

Do not leave your bicycle exposed to high temperatures for long periods of time. It may damage the components.

Observe the recommended temperature ranges for use (discharge), charge, and storage of your ebike:

Use: -15–50°C (5–122°F)

Charge: 10–40°C (50–104°F)

Storage: 0–30°C (32–86°F)

The use, charge, and storage of your ebike outside these recommended temperature ranges may affect the battery cells and reduce their life and available range.

System Layout

The Mahle pedal-assist system consists of a rear hub drive unit, a battery, a computer controller, and various electronic components (harness wires, sensors, and switches) (Figure 1).

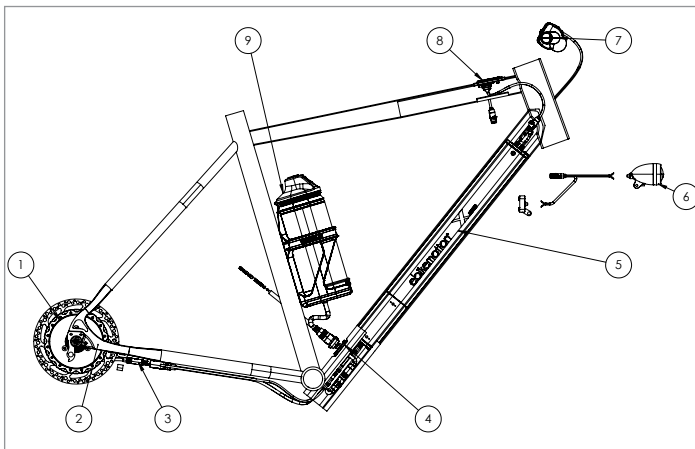


Figure 1

1.	Rear Hub Drive Unit
2.	PAS Sensor
3.	Motor Cable
4.	Charging Port
5.	Internal Battery
6.	Headlight (Optional)
7.	iWOC TRIO Controller
8.	iWOC ONE Controller
9.	Range Extender

	Rear Hub Drive Unit	The rear hub drive unit consist of an electric motor contained within the hub that drives the pedal-assist system.	Nominal Power: 250W Voltage: 36V Max Torque: 40Nm Max Speed: 20 mph (32 kph)
	Internal Battery Pack	The Internal Battery Pack is stored within the downtube and is the main power source for the Rear Hub drive unit.	Capacity: 244.8 Wh Voltage: 36V Charge Time: 3.5 hr Range: up to 78 mi (125 km)
	iWOC Trio Controller	The iWOC TRIO is a bar-mounted controller that turns the pedal-assist system on and off, adjusts the assistance mode, and indicates the battery level.	LED Display Lights Bluetooth Connectivity
	iWOC One Controller	The iWOC TRIO is a frame-mounted controller that turns the pedal-assist system on and off, adjusts the assistance mode, and indicates the battery level.	ED Display Lights Bluetooth Connectivity
	Charger	The X35 charger plugs into wall outlets and can be used to charge both the internal battery and Range Extender.	Input: 100-240V / 50-80 Hz Output: 42V / 2A
	Range Extender (Optional)	The External Battery Pack mounts to water bottle cages and allows for an extended period of use for pedal assistance between charges.	Capacity: 209.8 Wh Voltage: 36V Charge Time: 3 hr Range (w/ Internal Battery): up to 137 mi (220 km)
	PAS Sensor	The PAS Sensor is a frame-mounted sensor that with a magnetic locking detects the motion and speed of the Rear Hub Drive Unit.	40 Pulses

Maintenance

All Salsa products are designed to be both durable and easy to maintain. Take proper care of and regularly maintain your ebike to ensure long-lasting, safe, and enjoyable rides.

Maintenance and Part Replacement in our Ebikes

The Mahle ebike system must be serviced by an authorized Mahle service center. Only use Mahle approved service parts. Do not open any of the e-bike components.

For more specific information regarding the care and maintenance of this product please visit www.salsacycles.com or contact us at 1-800-877-668-6223.

Cleaning your Ebike

▲ WARNING: Always remove the internal battery before working on the bicycle. Accidental activation of the drive system can result in serious injury.

Clean your bike with a soft, damp cloth (using only mild soap and water). Do not wash your bike with a pressure washer or submerge it or the electric system components. All the Mahle pedal-assist system components have an IP54 water resistance rating that protects them against rain and splashes; however, the use of pressure washers may allow water to infiltrate into components and damage them.

Do not use metallic tools to clean the charging point of foreign objects or dirt. Pay attention not to damage the terminals during this process.

Inspecting your Ebike

Do a quick check before each ride to make sure that your ebike is in optimal operating conditions. You might discover small problems that could turn into major issues during the ride.

Turn the bicycle on and check that the system is showing no errors. If no errors are present, the indicator light on the iWOC One/Trio will display as green; if an error is present, the indicator light on the iWOC One/Trio will display as pink and flashing (Figure 2). Ensure that the system assists normally and that all functions (assist level change, lights, etc.) work correctly.

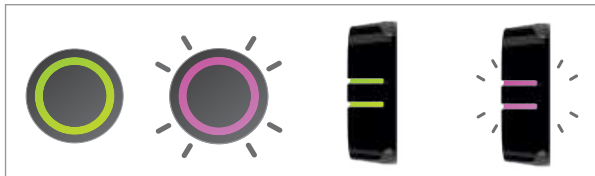


Figure 2

Regularly check the connections and cables of the ebike system components.

The connections must be clean and free of debris and foreign objects. The cables must be in good condition and free of cuts or kinks and bends that may cause short circuits and lack of electric assistance.

Verify the charging point cover is installed correctly to avoid dirt or water infiltrating into the port (Figure 3).

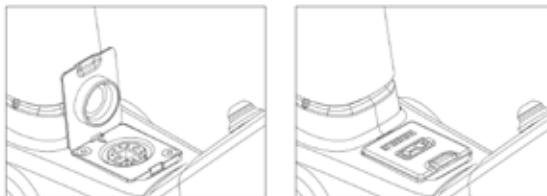


Figure 3

Verify the exterior of the controllers and batteries do not show signs of damage that may allow water and other elements to infiltrate them.

If you notice any damage to the components, contact your Salsa dealer for a professional diagnosis and/or replacement.

Transporting your Ebike

Avoid transporting your bicycle outside your car when it is raining. All the Mahle pedal-assist system components have an IP54 water resistance rating that protects them against rain and splashes; however, the speed of your vehicle may increase the effects of the rain and damage the components.

The transport of the internal Mahle Ebikemotion battery and the external Range Extender battery should be in accordance with the transportation rules and regulations of this type of item. The units must always be transported or sent using the original certified packaging and a certified shipping company. Please find information regarding these conditions of transport from your country authority.

If the Range Extender or the internal battery must be sent to the original dealer for repair or diagnostics, it must be in the original certified packaging and via a shipping company equipped for battery shipment. Salsa can inform you of the best option.

If you intend to travel with your ebike, research the transport conditions for batteries according to the airline you plan on using to transport your bicycle. The majority of commercial airlines do not permit transport of batteries with a capacity larger than 100 Wh.

Storing your Ebike

When your bicycle is not being ridden, store it where it will be protected from the elements. The recommended storage range of your ebike is 0–30°C (32–86°F). The storage of your ebike outside these recommended temperature ranges may affect the battery cells and reduce their life and available range.

If you plan to store your ebike for an extended period of time, completely charge the battery before putting it away and re-charge it every 2 months to avoid the battery levels falling below 10%. Failure to do so may affect the battery cells and reduce their life and available range.

Before storing your ebike for an extended period of time, clean and lubricate the frame with a frame wax, polish, or protectant.

Mahle Ebikemotion X35 Operation

Battery Operation

Charging The Battery

▲ WARNING: Only use the designated Mahle charger to charge the ebike battery.

▲ WARNING: Avoid charging your ebike continuously for more than 5 straight hours, and always charge your bicycle or battery in a place where you have visual access to it so the charger can be disconnected if any source of danger is detected, such as smoke, strange smells, or fire.

▲ WARNING: Keep the battery charger clean and dry. Always check the charger, cable and plug before use. Stop using the charger if you discover any damage. Do not open the charger. Damaged chargers, cables, plugs increase the risk of electric shock.

1. Plug the X35 charger into a power outlet and verify that LED indicator on the charger is green.
2. Connect the X35 charger to the ebike charging port and twist the safety ring clockwise. **NOTE:** The arrows on the X35 Charger and the ebike charging port must be aligned to successfully charge the bike (Figure 4).

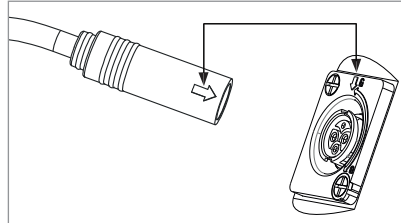


Figure 4

3. Verify the LED indicator on the charger is red.
4. Once the LED indicator on the charger is green, twist the safety ring counterclockwise and detach the charger.

While the battery charges, the iWOC One (Figure 5) and iWOC Trio (Figure 6) controller lights also change color and blink to indicate the charging status. When the iWOC One/Trio lights are white and no longer blinking, the battery is fully charged.

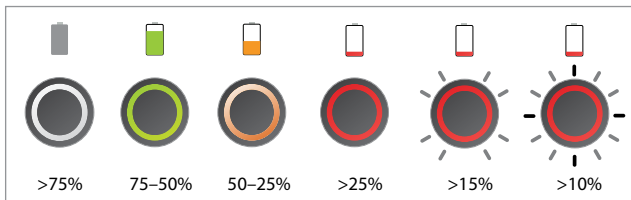


Figure 5

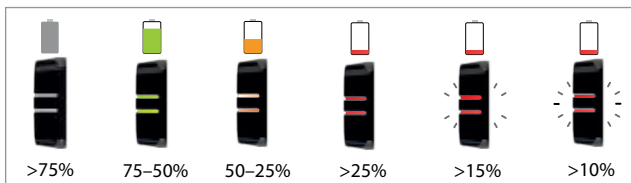


Figure 6

Internal Battery Removal

Tools Required: Crank removal and bottom bracket removal tools (varies based on equipped components), 2 and 3mm hex key wrenches, T25 torx wrench

1. Disconnect the motor cable from the battery cable (Figure 7).

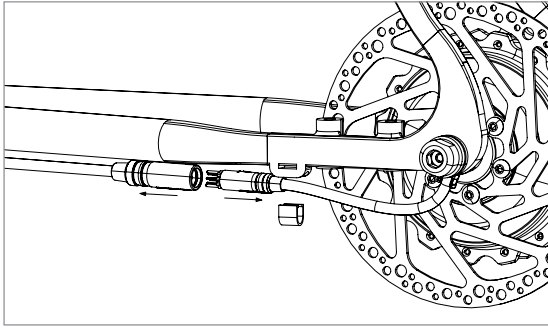


Figure 7

2. Remove the crank and bottom bracket according to manufacturer recommendations.
3. Locate the access hatch on the bottom of your bicycle frame, below the bottom bracket area. The access hatch is fastened by a bolt.
4. Use a T25 Torx wrench to remove the bolt and hatch. (Figure 8)

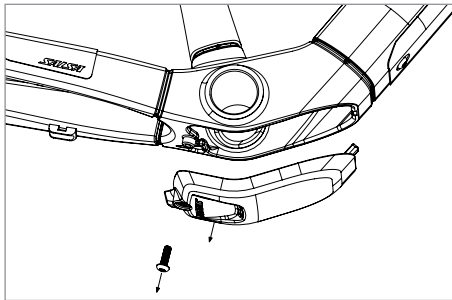


Figure 8

5. Disconnect the controller cables from the top of the battery assembly:
 - a. Use a 2mm hex key wrench to remove the bolt from the iWOC One controller (Figure 9).

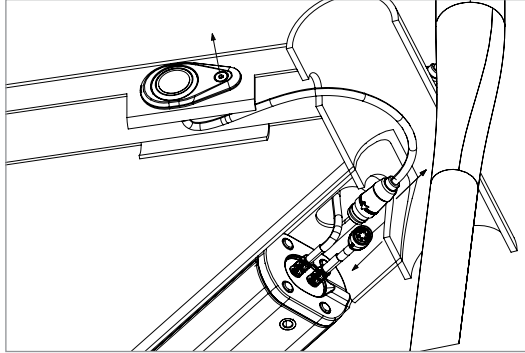


Figure 9

- b. Carefully remove the iWOC One controller from the top tube of the frame to expose the battery cable connection. Disconnect the battery connection cable.
 - c. Disconnect the iWOC Trio controller cable from the battery cable extending from the downtube (Figure 10).

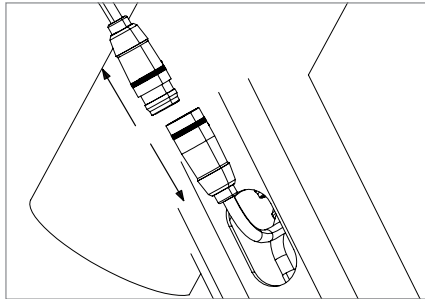


Figure 10

6. After the system cables are disconnected and moved out of the way, use a T25 torx wrench to remove the bolts from the underside of the down tube (Figure 11).

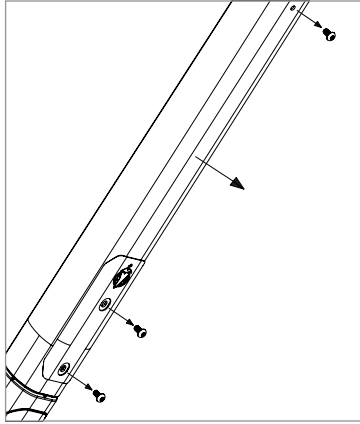


Figure 11

7. Carefully slide the battery out from the downtube.

Range Extender Installation

Your ebike is compatible with a the X35 208Wh Range Extender from MAHLE Smartbike Systems.

The Ranger Extender can be installed on the seat tube or downtube wherever water bottle cage mounts and bolts are located.

Always use the 12mm bolts provided with your Confluence to attach the Range Extender. Do not use 2mm spacers when installing your Range Extender. Do not use bolts shorter than 12mm to install your range extender. They would be too short for the weight of the Range Extender.

Tools Required: 4mm hex key wrench

1. Remove the Range Extender battery from the holder (Figure 12).

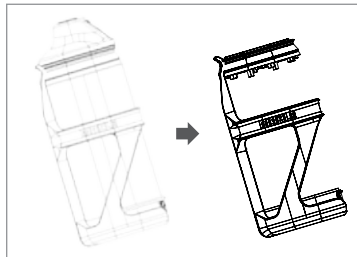


Figure 12

2. Use a 4mm hex key wrench to remove the water bottle cage bolts from the frame (Figure 13).

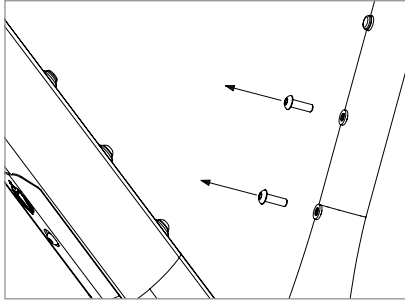


Figure 13

3. Attach the Range Extender holder to the frame and reinstall the bolts (Figure 14). Torque the bolts to 3–5Nm.

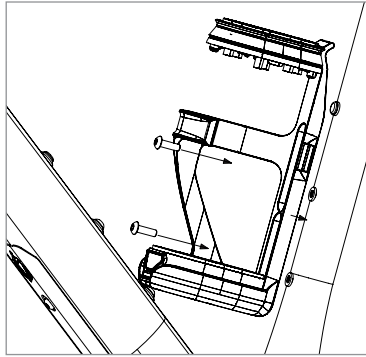


Figure 14

▲ WARNING: Use only the appropriate length bolts according to frame material to attach the Range Extender Holder. Using the incorrect or different length bolts could lead to damage, failure, or interference of moving parts, all of which could cause serious harm to the bicycle and rider.

4. Attach and secure the Range Extender battery to the holder Figure 15.

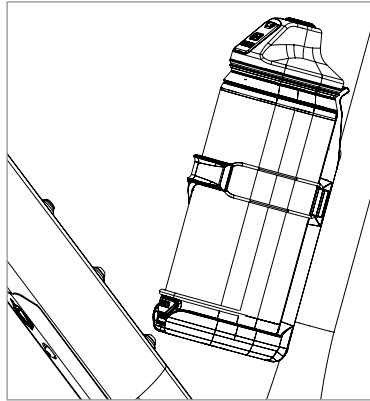
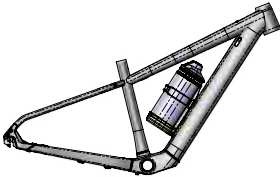
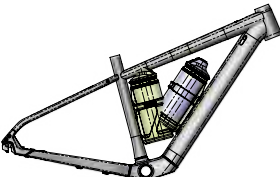
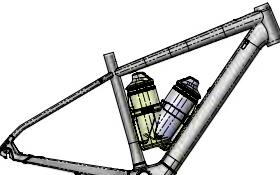


Figure 15

Range Extender Fit Guide

Frame Size	Range Extender Fit	Example	Additional Notes
49 cm, XS	Only one mounting location on downtube.		Three-pack mount on downtube: water bottle can be placed in higher position for easy reach, or lower position for (small) half-frame pack.
51 cm, SM	The Range Extender can only fit on the downtube, with no capacity for water bottle on seat tube.		Two water bottles will fit in the frame by using the upper mounting location on the downtube.
53 cm, 55 cm, 57 cm, 60 cm, MD, LG, XL	The Range Extender will fit on either the downtube or seat tube. If mounting with a water bottle, we recommend mounting the RE on seat tube and using higher position on downtube for bottle.		Two water bottles will fit in the frame by using the upper mounting location on the downtube.

Turn the System On/Off

iWOC One

1. Short press the iWOC One button to turn the system on (Figure 16). Verify that the controller light is green; if the controller light is pink, an error is present and must be resolved before riding (Figure 17).

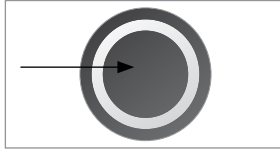


Figure 16

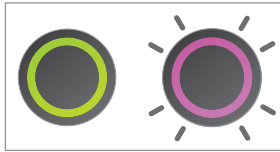


Figure 17

2. Long press the iWOC One button to turn the system off (Figure 18).

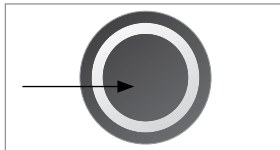


Figure 18

iWOC Trio

1. Short press the iWOC Trio center button to turn the system on (Figure 19). Verify that the controller light is green; if the controller light is pink, an error is present and must be resolved before riding (Figure 20).

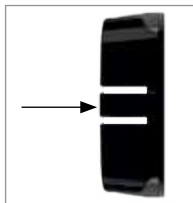


Figure 19



Figure 20

2. Long press the iWOC Trio center button to turn the system off (Figure 21).

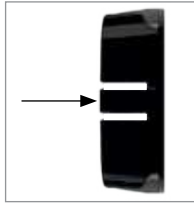


Figure 21

Change the Pedal Assist Level

iWOC One

When the iWOC One controller is On, short press the button to adjust the pedal-assist level. The controller LED light will blink and color coordinate according to the assist level selected (Figure 22). The assist level selection for the iWOC One controller is cyclical, so the button must be continually pressed until the desired level is selected.

Note: If your bike is equipped with both the iWOC One and the iWOC Trio, only the Trio will change the assist level.

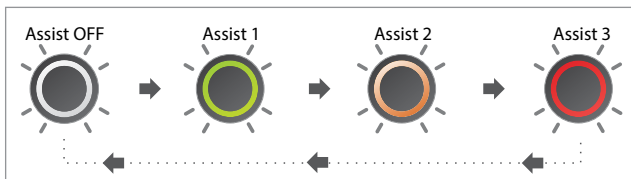


Figure 22

iWOC Trio

When the iWOC Trio controller is On, short press the arrow buttons to adjust the pedal-assist level. The controller LED light will blink and color coordinate according to the assist level selected (Figure 23). The assist level selection for the iWOC Trio controller is linear, so the up arrow or down arrow buttons must be pressed until the desired level is selected.

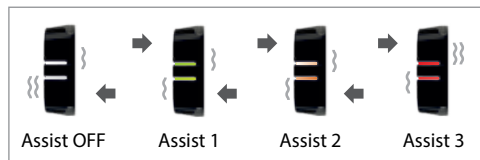


Figure 23

Walk Assist

Walk Assist mode is a low-speed assist setting that aids you while you walk alongside your ebike. Press and hold the down button on the iWOC Trio controller to enter Walk Assist mode (Figure 24).

NOTE: Walk Assist mode is only accessible through the iWOC Trio controller. This mode cannot be entered using the iWOC One controller.



Figure 24

Component Installation Warnings

Rear Rotor Fixing Bolts

Always use 8mm bolts to fix the rear rotor to the motor hub. The use of longer bolts will damage the motor internal components. The use of shorter bolts will compromise the attachment of the rotor to the motor hub and may cause accidents and serious injuries.

Internal Battery and Water Bottle Cage Fixing Bolts

Always use the original internal battery fixing bolts to attach the internal battery to the frame and the downtube water bottle. The use of different bolts may damage the internal battery.

Rear Wheel Alignment

The rear wheel must be installed into the rear dropouts so that the motor cable is facing forward towards the front of the bike (Figure 25). Installing the wheel in any other orientation may damage the motor cable.

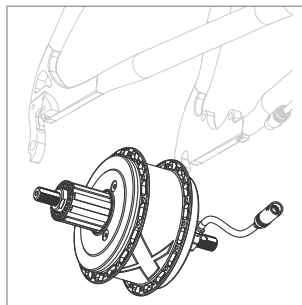


Figure 25

Installation/Repairs Without Chain

When carrying out repairs and maintenance for which it was needed to remove the chain, be aware that if the rear wheel is turned, the PAS sensor will detect this movement and the motor will engage and turn the rear wheel. Keep your hands and tools away from the inside of the wheel or any moving parts during repairs or maintenance.

PAS Sensor

The maximum distance between the PAS sensor and the magnetized cassette lockring is 3 mm to allow for a correct reading (Figure 26). If the system is not providing electric assistance, check the position of the PAS sensor and its distance to the lockring.

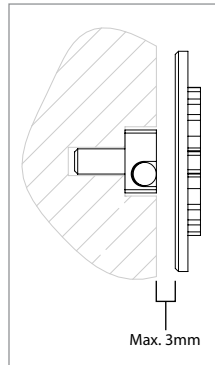


Figure 26

Lights

Observe the maximum output specifications when connecting lights to the X35 system: 6V / 6.6W / 1100mA.

Connecting more powerful lights may cause the system to give out an illumination error.

MAHLE My SmartBike Application

Application and Services

The MAHLE My SmartBike application allows you to connect your smart device to your X20 System. The My SmartBike application will not only display all critical ride data and let you track and record your activities, it also lets you customize the assist levels to your own expectations.

MAHLE will continue to add new features and functions to the system, to ensure your bike will always be fully compatible with new software applications and added smart solution added in the future.

Your X20 System is compatible with the full family of MAHLE SmartBike Systems apps that provide the following features:

- My SmartBike iOS version for iPhones
- My SmartBike for Android phones
- www.my-smartbike.com Browser applications

To diagnose the system in a professional workshop environment we also offer a dealer-only application:

- SmartBike Lab (iOS and Android)

NOTICE: To ensure your X20 System is always up-to-date, we highly recommend downloading the My SmartBike app and regularly connecting your system to your smart device. Doing so will ensure your bike will always feature the newest updates.

5.1. My-SmartBike Phone App

The MAHLE My SmartBike app is compatible with smart devices using iOS or Android systems. The app lets you track and record your activities. With the available features, your smart device becomes your all-in-one smart bike display when placed on the handlebar.

CAUTION: For your own safety, we do not recommend using your smart device while riding if it is not firmly connected to your handlebar.

Use the following links to download the apps:



Smartphone App Main Functions

If you connect your eBike to the MAHLE My SmartBike app you will benefit from the following features:

- Motor performance definition. Control the power, acceleration and reactivity of each assist level.
- Record and track your activities and automatically synchronize with STRAVA. You can always also view your completed activities online.
- Use your smartphone as your main display to see your main parameters such as batteries status, hearth rate, range, etc.
- Automatic assist level control.
- Get access to extra information and tutorials.
- Keep track of the status of your eBike.
- Keep your system updated.
- Localize your eBike (last position connected to your smart device).
- Additional features will be added in the future.

Smartphone App Motor Settings

The X20 System includes 3 PRESET modes. Each preset mode is a full system setup of which will modify the peak power, acceleration, and reactivity of each assist level (1 to 3).



Figure 27

The system also features a CUSTOM mode. The CUSTOM mode will allow you to customize each of the assist levels (1 to 3) by adjusting peak power, acceleration, and reactivity.

PEAK-System

The system also features a CUSTOM mode. The CUSTOM mode will allow you to customize each of the assist levels (1 to 3) by adjusting peak power, acceleration, and reactivity.

- **Power:**
Peak power defines the maximum power the motor can provide for a short period of time (Watts).
- **Acceleration:**
Acceleration defines the time it takes to reach the full level of assistance you selected. Less % will result in a smoother change while more % will make it change faster.

- Reactiveness to applied torque:
 Reactiveness defines the effort you need to apply to reach the designated power outlet. Less % will result in more effort while more % will make it easier to reach the selected power outlet.



Figure 28

Smart Assist is a new system mode which, based on the slope of the terrain, the weight of the user and their power needs, will modify the behaviour of the X20 system so the cyclist can enjoy their activity without having to worry about changing the assistance mode during the session. The bike will provide the necessary assistance at all times automatically.

To use this mode, you just need to:

1. Start your journey and slide your finger towards the right-hand side to choose Smart Assist mode.
2. Once you have selected Smart Assist mode, the application will check if you need to calibrate the HMI from the start screen. If necessary, follow the steps shown on screen.
3. My SmartBike will ask you to configure your weight if you have not done so in your profile.
4. Define how the algorithm will assist you during your effort during the activity.

Smartphone App Account Creation

To enjoy all functions of the My SmartBike app, please ensure you create your personal account:

1. Access www.my-smartbike.com/user/login through your web browser and create a user account.
2. Download the My SmartBike app to your smart device and create a user account directly on your device.



Once you have created your personal account, open the MAHLE My SmartBike app, switch your eBike on and simply follow the process of the app to connect your device and eBike by Bluetooth.

NOTICE: If you need support connecting your device to your eBike, please use the tutorials provided in the app.

Open the app and click on **SETTINGS**. Once you choose **SETTINGS** go to **TUTORIALS**

My SmartBike Web App

You can also view all your eBike details online through your web browser (on any smart device or computer). The Web app is designed to give you more details about your activities and a higher level of trackability about your general usage of the system. To access the website please go to www.my-smartbike.com.

Web App Main Functions

The following features are available through the web application:

- Timeline of all your activities
- Complete overview of all your achievement
- Detailed visualization of your general usage including the use of the different assist levels
- Locate your eBike (last position connected to your smart device)
- Status of your eBike (Serial number, errors, reports, trouble shooting, components, etc.)
- Full trackability of your activities incl. map overview and power mapping
- Segmentation of your ride by elevation, speed, slope, altitude, HR or assist level used or power consumed
- Access to all public activities
- Synchronization with STRAVA
- Share your tracks on Social Media
- Documentation of your system
- Support

Web App Account creation

Use the same username and password as you are using for the smart device applications to access the web application.

Warranty

Salsa Warranty

This product is warranted against defects in materials and workmanship for the period stated on www.salsacycles.com and the product page from the date of retail purchase of the product, subject to the limitations below. Save your dated receipt for proof of purchase.

This warranty does NOT cover the following:

- Damage due to improper assembly or follow-up maintenance or lack of skill, competence or experience of the user or assembler
- Products that have been modified, neglected, used in competition or for commercial purposes, misused or abused, involved in accidents or anything other than normal use
- Installation of components, parts or accessories not originally intended for or compatible with product as sold
- Damage or deterioration to the paint, surface finish, aesthetics or appearance of the product
- Normal wear and tear
- Labor required to remove and/or refit and re-adjust the product within the bicycle assembly

This limited warranty is expressly limited to the repair or replacement of the original product, at the option of Salsa, and is the sole remedy of the warranty. This limited warranty applies only to the original purchaser of the Salsa product and is not transferable. This warranty applies only to products purchased through an authorized dealer or distributor. In no event shall Salsa be liable for any loss, inconvenience or damage, whether direct, incidental, consequential, or otherwise resulting from breach of any express or implied warranty or condition, of merchantability, fitness for a particular purpose, or otherwise with respect to Salsa products except as set forth herein.

This warranty gives the consumer specific legal rights, and those rights and other rights may vary from place to place. This warranty does not affect your statutory rights.

TO THE EXTENT NOT PROHIBITED BY LAW, THESE WARRANTIES ARE EXCLUSIVE AND THERE ARE NO OTHER EXPRESS OR IMPLIED WARRANTIES OR CONDITIONS INCLUDING WARRANTIES OR CONDITIONS OF MERCHANTABILITY AND FITNESS FOR A PARTICULAR PURPOSE.

Warranty Registration: Proof of purchase is required before a warranty claim is processed. Salsa therefore strongly encourages warranty registration at salsacycles.com. Failure to register will not affect consumer rights under the limited warranty stated above, so long as the consumer can show in a reasonable manner proof of original ownership and the date the Salsa product was purchased. If you have any questions, contact warranty@salsacycles.com Submitting a Claim can be made anywhere Salsa products are sold. When in doubt, contact your local shop. Please provide details about what happened including but not limited to other components used in conjunction with the alleged defective Salsa part.

NOTE: The term of the Warranty is not a guarantee of the product's useful life. Product life is influenced by how the product is used, stored, and maintained over time. The Warranty is not meant to suggest the product cannot be broken or that the product will last forever. The Warranty only means the product is covered subject to the terms of the Warranty.

Mahle Warranty

The MAHLE Ebikemotion components are covered by the legal 2-year warranty, or the legal warranty period on the country of purchase, valid from the date of purchase of the components or the bicycle they are assembled on.

This warranty covers all MAHLE Ebikemotion products against manufacturing defects or lack of conformity and gives the owner of the bicycle or the component the right to have the component repaired or replaced without any additional cost derived from this warranty.

This warranty does not cover in any case damages derived from inadequate use, falls or accidents, incorrect assembly, lack of maintenance or not observing the recommendations of use, storage, charge, etc. described in this manual.

The natural aging of the MAHLE Ebikemotion batteries and loss of capacity due to normal use, charge and storage are not covered by the conditions of the warranty.

Call2Recycle

Do not dispose of your ebike or ebike components alongside household waste. For information on how and where to safely dispose of ebike batteries, refer to www.call2recycle.org/e-bikes.

FCC Notices

NOTICE: This device complies with Part 15 of the FCC Rules. Operation is subject to the following two conditions:

1. This device must not cause harmful interference, and
2. This device must accept any interference received, including interference that may cause undesired operation.

NOTE: This equipment has been tested and found to comply with the limits for a Class B digital device, pursuant to Part 15 of the FCC Rules. These limits are designed to provide reasonable protection against harmful interference in a residential installation.

This equipment generates, uses and can radiate radio frequency energy and, if not installed and used in accordance with the instructions, may cause harmful interference to radio communications. However, there is no guarantee that interference will not occur in a particular installation. If this equipment does cause harmful interference to radio or television reception, which can be determined by turning the equipment off and on, the user is encouraged to try to correct the interference by one or more of the following measures: – Reorient or relocate the receiving antenna. – Increase the separation between the equipment and receiver – Connect the equipment into an outlet on a circuit different from that to which the receiver is connected. – Consult the dealer or an experienced radio/TV technician for help.

ISED Notice (Canada)

This device contains license-exempt transmitter(s)/ receiver(s) that comply with Innovation, Science and Economic Development Canada's license-exempt RSS(s). Operation is subject to the following two conditions:

1. This device may not cause interference, and
2. this device must accept any interference, including interference that may cause undesired operation of the device.

This equipment complies with Canada radiation exposure limits set forth for an uncontrolled environment. This equipment should be installed and operated with minimum distance of 20 cm between the radiator and your body. This transmitter must not be co-located or operating in conjunction with any other antenna or transmitter.

Chez Salsa, nous sommes convaincus qu'un esprit d'aventure rend la vie meilleure. Nos produits amènent les cyclistes vers de nouveaux horizons, de nouvelles personnes, des exploits extraordinaires et des expériences inoubliables.

Nous vous remercions de votre achat. Nous espérons qu'il améliorera davantage une bonne expérience de vélo !

Salsa. Adventure by bike.®

Ce manuel contient des renseignements importants sur la sécurité, le fonctionnement et l'entretien du vélo électrique. Lisez-le avant votre première sortie sur votre nouveau vélo et gardez-le comme référence.

Des renseignements supplémentaires peuvent également être disponibles sur la sécurité, le fonctionnement et l'entretien de composants spécifiques ou concernant certains accessoires tels que les casques ou l'éclairage que vous avez achetés. Assurez-vous que votre revendeur vous a remis toute la documentation du fabricant incluse avec votre vélo ou vos accessoires. En cas de conflit entre les instructions de ce manuel et les renseignements fournis par le fabricant d'un composant, suivez toujours les instructions du fabricant du composant. En cas de questions ou si vous ne comprenez pas un point, assumez la responsabilité de votre sécurité et consultez votre revendeur ou le fabricant du vélo.

Votre vélo Salsa est équipé d'un système d'assistance électrique au pédalage. Sachez que lorsque le système d'assistance est mis sous tension (ON), le moteur ne s'engage que lorsque vous pédalez. De même lorsque le système d'assistance est mis hors tension (OFF), le vélo électrique fonctionne comme n'importe quel vélo non motorisé.

La puissance fournie dépend de votre force de pédalage et du mode d'assistance que vous réglez avec l'unité de commande au guidon. Lorsque vous arrêtez de pédaler, l'assistance au pédalage se désengage. L'assistance au pédalage diminue à l'approche de 32 km/h (20 mi/h) et s'arrête à toute vitesse supérieure à ce plafond.

Avant votre première longue sortie, prenez le temps de vous entraîner dans un endroit sans danger et d'apprendre les commandes jusqu'à ce que vous ayez confiance en votre pilotage et que vous puissiez vous concentrer sur la sortie.

Avertissements concernant l'utilisation du vélo

▲ AVERTISSEMENT : il est de votre responsabilité de connaître et de respecter toutes les lois et réglementations locales. Les lois sur les vélos électriques varient d'un pays à l'autre, il se peut que vous ayez besoin d'installer des équipements supplémentaires sur votre vélo pour vous conformer aux lois locales. N'utilisez votre vélo électrique qu'en accord avec les lois locales en vigueur. N'utilisez pas votre vélo tant que tous les réflecteurs, l'éclairage et autres dispositifs de sécurité requis localement n'ont pas été installés par un vélociste. Une licence ou un permis spécial peut être obligatoire.

▲ AVERTISSEMENT : ne tentez pas de modifier votre vélo électrique, en particulier la vitesse maximale à laquelle il est autorisé à rouler. Cela peut vous mettre en danger, ainsi qu'autrui ; vous pourriez également vous trouver en infraction avec la loi. N'apportez aucune modification au système du vélo électrique et n'installez pas d'autres produits qui pourraient augmenter ses performances.

Évitez d'utiliser votre vélo électrique dans des conditions météorologiques extrêmes. Tous les composants du système d'assistance au pédalage de Mahle ont un indice de résistance à l'eau de IP54 qui les protège contre la pluie et les éclaboussures ; toutefois, des conditions météorologiques extrêmes peuvent endommager les composants.

Ne laissez pas votre vélo exposé à des températures élevées pendant de longues périodes. Cela risquerait d'endommager les composants.

Respectez les plages de température recommandées pour l'utilisation (décharge), la charge et le rangement de votre vélo électrique :

Utilisation : -15 à 50 °C (5 à 122 °F)

Charge : 10 à 40 °C (50 à 104 °F)

Rangement : 0 à 30 °C (32 à 86 °F)

L'utilisation, la charge et le rangement de votre vélo électrique en dehors de ces plages de température recommandées peuvent endommager les cellules de la batterie et réduire leur durée de vie et l'autonomie disponible.

Configuration du système

Le système d'assistance au pédalage de Mahle se compose d'un moteur-moyeu arrière, d'une batterie, d'un ordinateur de bord et de divers composants électroniques (faisceaux de fils, capteurs et commutateurs) (figure 1).

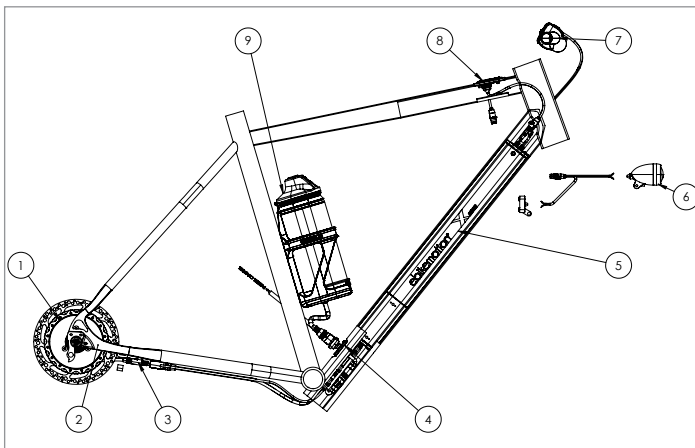


Figure 1

1.	Moteur-moyeu arrière
2.	Capteur PAS
3.	Câble du moteur
4.	Port de charge
5.	Batterie interne
6.	Éclairage avant (facultatif)
7.	Commande iWOC TRIO
8.	Commande iWOC ONE
9.	Prolongateur d'autonomie

	Moteur-moyeu arrière	Le moteur-moyeu arrière est constitué d'un moteur électrique contenu dans le moyeu qui entraîne le système d'assistance au pédalage.	Puissance nominale : 250 W Tension : 36 V Couple maximal : 40 Nm Vitesse maximale : 32 km/h (20 mi/h)
	Batterie interne	La batterie interne est logée dans le tube oblique et constitue la principale source d'énergie de moteur-moyeu arrière.	Capacité : 244,8 Wh Tension : 36 V Temps de charge : 3,5 heures Autonomie : jusqu'à 125 km (78 mi)
	Commande iWOC Trio	iWOC TRIO est une commande montée sur le guidon qui active et désactive le système d'assistance au pédalage, règle le mode d'assistance et indique le niveau de la batterie.	Afficheur LED Connectivité Bluetooth
	Commande iWOC One	iWOC TRIO est une commande montée sur le cadre qui active et désactive le système d'assistance au pédalage, règle le mode d'assistance et indique le niveau de la batterie.	Afficheur LED Connectivité Bluetooth
	Chargeur	Le chargeur X35 se branche sur les prises murales et peut être utilisé pour charger à la fois la batterie interne et le prolongateur d'autonomie (batterie externe).	Entrée : 100-240 V / 50-80 Hz Sortie : 42 V / 2 A
	Prolongateur d'autonomie (facultatif)	La batterie externe se monte sur les porte-bidons et permet d'allonger l'utilisation de l'assistance au pédalage entre les charges.	Capacité : 209,8 Wh Tension : 36 V Temps de charge : 3 heures Autonomie (avec la batterie interne : jusqu'à 220 km (137 mi)
	Capteur PAS	Le capteur PAS est un capteur monté sur le cadre qui, à l'aide d'une bague de verrouillage magnétique, détecte le mouvement et la vitesse du moteur-moyeu arrière.	40 impulsions

Entretien

Tous les produits Salsa sont conçus pour être à la fois durables et faciles à entretenir. Prenez soin de votre vélo électrique et entretenez-le régulièrement pour garantir de nombreuses sorties sûres et agréables.

Entretien et pièces de rechange de votre vélo électrique

Le système du vélo électrique Mahle doit être entretenu par un centre de service agréé Mahle. N'utilisez que des pièces de rechange approuvées par Mahle. N'ouvrez aucun des composants du vélo électrique.

Pour des renseignements plus spécifiques concernant l'entretien et la maintenance de ce produit, veuillez consulter le site www.salsacycles.com ou nous appeler au 1-800-877-668-6223.

Nettoyage de votre vélo électrique

▲ AVERTISSEMENT : retirez toujours la batterie avant de travailler sur le vélo. L'activation accidentelle du système d'assistance au pédalage peut entraîner des blessures graves.

Nettoyez votre vélo avec un chiffon doux et humide (en utilisant uniquement de l'eau et du savon doux). Ne lavez pas votre vélo avec un nettoyeur haute pression et ne l'immergez pas, ni les composants du système électrique. Tous les composants du système d'assistance au pédalage de Mahle ont un indice de résistance à l'eau de IP54 qui les protège contre la pluie et les éclaboussures ; toutefois, l'utilisation de nettoyeurs haute pression peut permettre à l'eau de s'infiltrer dans les composants et de les endommager. N'utilisez pas d'outils métalliques pour débarrasser la borne de recharge de tout objet étranger ou de toute saleté. Veillez à ne pas endommager les bornes pendant cette opération.

Inspection de votre vélo électrique

Effectuez une vérification rapide avant chaque sortie pour vous assurer que votre vélo électrique se trouve dans des conditions de fonctionnement optimales. Vous pourriez découvrir de petits problèmes qui pourraient se transformer en problèmes majeurs au cours de la sortie.

Mettez le vélo sous tension et vérifiez que le système n'affiche aucune erreur. Si aucune erreur n'est présente, le voyant lumineux du iWOC One/Trio s'affiche en vert ; si une erreur est présente, le voyant lumineux du iWOC One/Trio s'affiche en rose et clignote (figure 2). Assurez-vous que le système d'assistance opère normalement et que toutes les fonctions (changement de niveau d'assistance, l'éclairage, etc.) fonctionnent correctement.

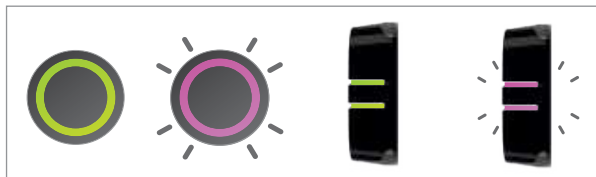


Figure 2

Vérifiez régulièrement les connexions et les câbles des composants du système du vélo électrique. Les connexions doivent être propres et exemptes de débris et de corps étrangers. Les câbles doivent être en bon état et exemptes de coupures, de déformations et de courbures qui peuvent provoquer des courts-circuits et un manque d'assistance électrique.

Vérifiez que le couvercle de la borne de recharge est correctement installé pour éviter que des saletés ou de l'eau ne s'infiltrent dans le port (figure 3).

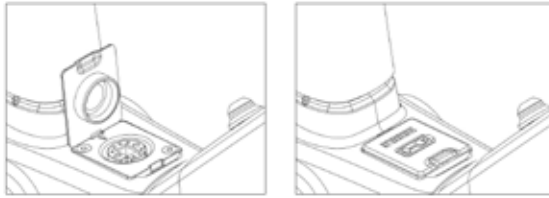


Figure 3

Vérifiez que l'extérieur des commandes et des batteries ne présente pas de signes de dommages qui pourraient permettre à l'eau et à d'autres éléments de s'y infiltrer.

Si vous constatez qu'un composant est endommagé, prenez contact avec votre revendeur Salsa pour un diagnostic professionnel et/ou un remplacement.

Transport de votre vélo électrique

Évitez de transporter votre vélo à l'extérieur de votre voiture lorsqu'il pleut. Tous les composants du système d'assistance au pédalage de Mahle ont un indice de résistance à l'eau de IP54 qui les protège contre la pluie et les éclaboussures ; cependant, la vitesse de votre véhicule peut augmenter les effets de la pluie et endommager les composants.

Le transport de la batterie interne Ebikemotion et du prolongateur d'autonomie (batterie externe) de Mahle doit s'effectuer en conformité avec le règlement concernant le transport de ce type d'article. Les unités doivent toujours être transportées ou envoyées en utilisant l'emballage d'origine certifié et une société d'expédition certifiée. Veuillez trouver les renseignements concernant ces conditions de transport auprès des autorités de votre pays.

Si la batterie externe (prolongateur d'autonomie) ou la batterie interne doivent être envoyées au revendeur d'origine pour réparation ou diagnostic, elles doivent l'être dans l'emballage d'origine certifié et par l'intermédiaire d'une société de transport équipée pour l'expédition de batteries. Salsa peut vous indiquer la meilleure option.

Si vous avez l'intention de voyager avec votre vélo électrique, renseignez-vous sur les conditions de transport des batteries en fonction de la compagnie aérienne que vous comptez utiliser pour transporter votre vélo. La majorité des compagnies aériennes commerciales n'autorisent pas le transport de batteries d'une capacité supérieure à 100 Wh.

Rangement de votre vélo électrique

Lorsque votre vélo n'est pas utilisé, rangez-le à l'abri des éléments. La plage de température d'entreposage recommandée pour votre vélo électrique est comprise entre 0 et 30 °C (32 à 86 °F). Le rangement de votre vélo électrique en dehors de ces plages de température recommandées peut endommager les cellules de la batterie et réduire leur durée de vie et l'autonomie disponible.

Si vous prévoyez d'entreposer votre vélo électrique pendant une période prolongée, chargez complètement la batterie avant de l'entreposer et rechargez-la tous les deux mois pour éviter que le niveau de la batterie ne descende en dessous de 10 %. Le non-respect de cette consigne peut endommager les cellules de la batterie et réduire leur durée de vie et l'autonomie disponible.

Avant de ranger votre vélo pour une période prolongée, nettoyez et lubrifiez le cadre avec de la cire pour cadre ou du produit à polir ou protecteur.

Fonctionnement du chargeur X35 Ebikemotion de Mahle

Fonctionnement de la batterie

Charge de la batterie

▲ AVERTISSEMENT : n'utiliser que le chargeur de Mahle prévu à cet effet pour charger la batterie du vélo électrique.

▲ AVERTISSEMENT : évitez de charger votre vélo électrique en continu pendant plus de 5 heures d'affilée. Chargez toujours votre vélo ou votre batterie dans un endroit où vous pouvez le ou la voir afin de pouvoir débrancher le chargeur si une source de danger est détectée, comme de la fumée, des odeurs étranges ou un incendie.

▲ AVERTISSEMENT : gardez le chargeur de la batterie propre et sec. Vérifiez toujours le chargeur, le câble et la prise avant utilisation. Arrêtez d'utiliser le chargeur si vous découvrez un dommage quelconque. N'ouvrez pas le chargeur. Des chargeurs, câbles ou fiches endommagés augmentent le risque de choc électrique.

1. Branchez le chargeur X35 sur une prise de courant et vérifiez que le voyant lumineux du chargeur est vert.
2. Connectez le chargeur X35 au port de charge du vélo électrique et tournez l'anneau de sécurité dans le sens des aiguilles d'une montre.

REMARQUE : les flèches du chargeur X35 et du port de charge du vélo électrique doivent être alignées pour pouvoir recharger le vélo (figure 4).

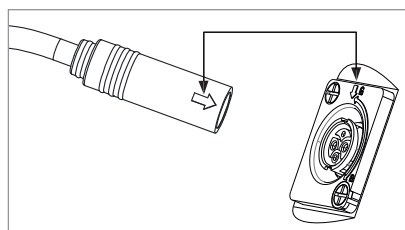


Figure 4

3. Vérifiez que le voyant lumineux du chargeur est rouge.

4. Une fois que le voyant lumineux du chargeur est vert, tournez l'anneau de sécurité dans le sens inverse des aiguilles d'une montre et détachez le chargeur. Pendant que la batterie se charge, les voyants de la commande iWOC One (figure 5) et iWOC Trio (figure 6) changent également de couleur et clignotent pour indiquer l'état de charge. Lorsque les voyants des iWOC One/Trio sont blancs et ne clignotent plus, la batterie est complètement chargée.

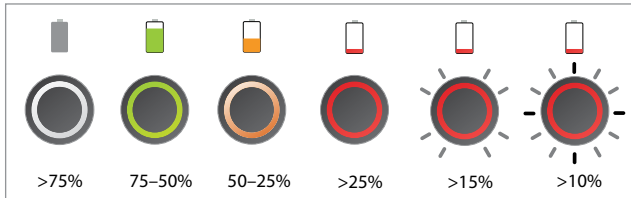


Figure 5

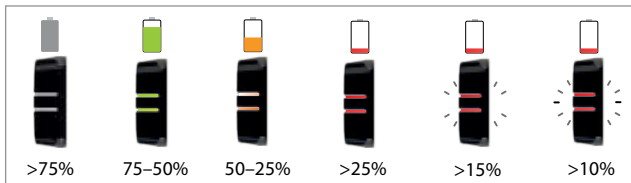


Figure 6

Retrait de la batterie interne

Outils requis : outils de démontage de la manivelle et du pédalier (varie en fonction des composants installés), clés hexagonales de 2 et 3 mm, clé de T25 torx.

1. Débranchez le câble du moteur du câble de la batterie (figure 7).

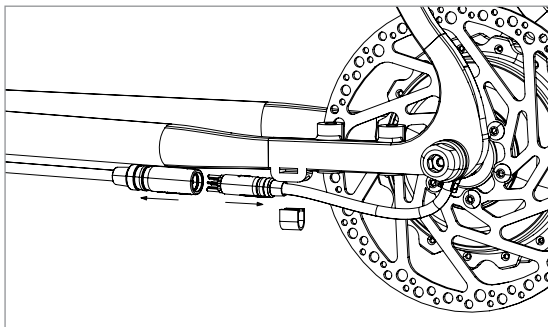


Figure 7

2. Retirez la manivelle et le pédalier conformément aux recommandations du fabricant.
3. Trouvez la trappe d'accès sur la partie inférieure du cadre de votre vélo, sous la zone du pédalier. La trappe d'accès est fermée par une vis.

4. Utilisez une clé Torx T25 pour retirer la vis et la trappe (figure 8).

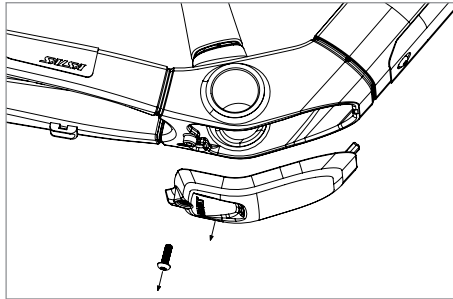


Figure 8

5. Déconnectez les câbles de la commande du haut de l'ensemble batterie :
- Utilisez une clé hexagonale de 2 mm pour retirer la vis de la commande iWOC One (figure 9).

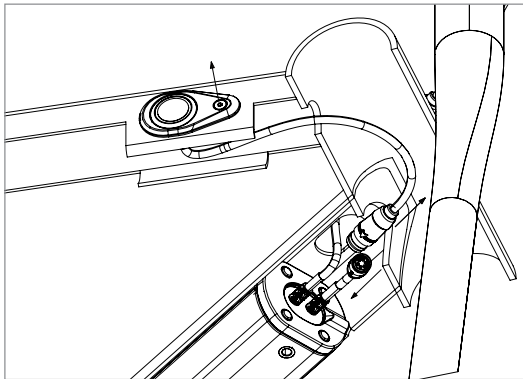


Figure 9

- Retirez délicatement la commande iWOC One du tube supérieur du cadre pour exposer la connexion du câble de la batterie. Débranchez le câble de connexion de la batterie.
- Déconnectez le câble de la commande iWOC Trio du câble de la batterie qui sort du tube oblique (figure 10).

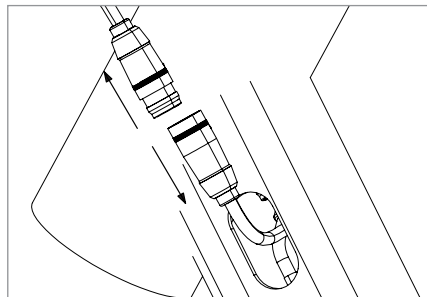


Figure 10

- Après avoir débranché les câbles du système et les avoir déplacés, utilisez une clé de T25 torx pour retirer les vis de la partie inférieure du tube oblique (figure 11).

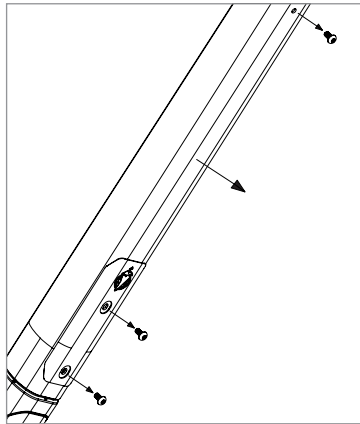


Figure 11

- Faites délicatement glisser la batterie hors du tube oblique.

Installation du prolongateur d'autonomie

Votre vélo électrique est compatible avec le prolongateur d'autonomie X35 208 Wh de MAHLE Smartbike Systems.

Le prolongateur d'autonomie peut être installé sur le tube de selle ou le tube oblique partout où se trouvent les montures et les vis du porte-bidon.

Utilisez toujours les vis de 12 mm fournies avec votre Confluence pour installer le prolongateur d'autonomie. N'utilisez pas les entretoises de 2 mm lorsque vous installez le prolongateur d'autonomie. N'utilisez pas de vis plus courtes que 12 mm pour installer le prolongateur d'autonomie. Elles seraient trop courtes pour le poids du prolongateur d'autonomie.

Outils nécessaires : clé hexagonale de 4 mm

- Retirez le prolongateur d'autonomie de son support (figure 12).

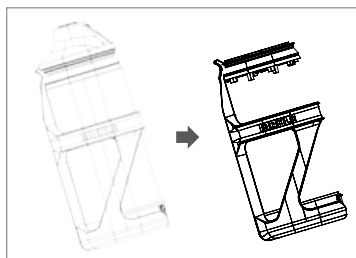


Figure 12

- Utilisez une clé hexagonale de 4 mm pour retirer les vis du porte-bidon du cadre (figure 13).

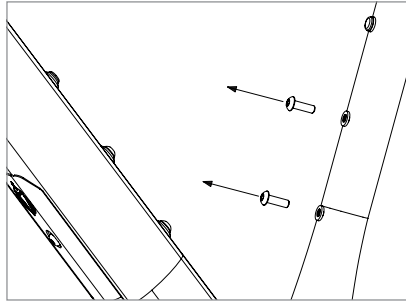


Figure 13

- Fixez le prolongateur d'autonomie au cadre et remettez les vis (figure 14). Serrez les vis entre 3 et 5 Nm.

▲ AVERTISSEMENT : utilisez uniquement les vis de la longueur appropriée en fonction du matériau du cadre pour fixer le support de prolongateur d'autonomie. L'utilisation de vis incorrectes ou d'une longueur différente peut entraîner des dommages, une défaillance ou une interférence avec les pièces mobiles, ce qui pourrait causer des dommages graves au vélo et au cycliste.

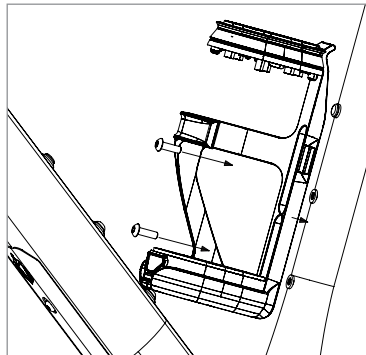


Figure 14

4. Fixez et sécurisez la batterie du prolongateur d'autonomie sur le support (figure 15).

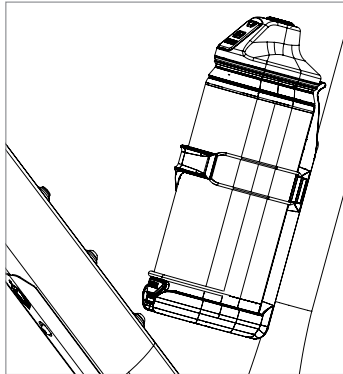
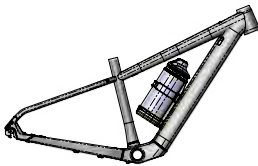
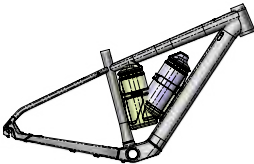
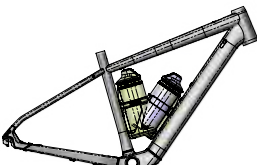


Figure 15

Guide d'installation du prolongateur d'autonomie

Taille du cadre	Installation du prolongateur d'autonomie	Exemple	Notes complémentaires
49 cm et XS	Le prolongateur d'autonomie ne s'installe que sur le tube oblique.		Fixation Three-Pack sur le tube oblique. Il est possible de placer un bidon dans la position supérieure pour pouvoir l'atteindre plus facilement, ou dans la position inférieure pour pouvoir installer une petite sacoche mi-cadre.
51 cm et SM	Le prolongateur d'autonomie ne s'installe que sur le tube oblique, sans possibilité d'avoir un bidon sur le tube de selle.		Il est possible de placer deux bidons sur le cadre en utilisant l'emplacement de montage supérieur sur le tube oblique.
53 cm, 55 cm, 57 cm, 60 cm, MD, LG, XL	Le prolongateur d'autonomie peut être monté sur le tube oblique ou sur le tube de selle. En cas de montage avec un bidon, nous vous recommandons de monter le prolongateur d'autonomie sur le tube de selle et d'utiliser les fixations supérieures sur le tube oblique pour le bidon.		Il est possible de placer deux bidons sur le cadre en utilisant l'emplacement de montage supérieur sur le tube oblique.

Mettre le système sous tension et hors tension (ON/OFF)

iWOC One

1. Appuyez brièvement sur le bouton iWOC One pour mettre le système en marche (figure 16). Vérifiez que le voyant de la commande est vert ; si le voyant de la commande est rose, il y a une erreur et elle doit être résolue avant d'utiliser le vélo (figure 17).

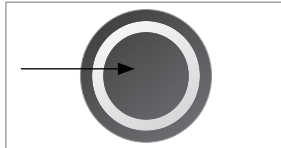


Figure 16

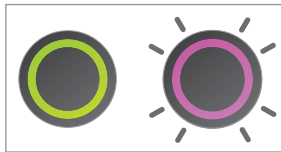


Figure 17

2. Appuyez longuement sur le bouton iWOC One pour éteindre le système (figure 18).

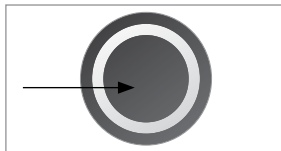


Figure 18

iWOC Trio

1. Appuyez brièvement sur le bouton du milieu du iWOC Trio pour allumer le système (figure 19). Vérifiez que le voyant de la commande est vert ; si le voyant de la commande est rose, il y a une erreur et elle doit être résolue avant d'utiliser le vélo (figure 20).

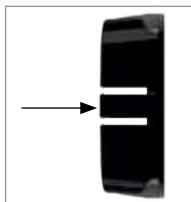


Figure 19



Figure 20

- Appuyez longuement sur le bouton du milieu iWOC Trio pour éteindre le système (figure 21).

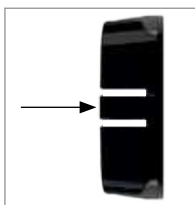


Figure 21

Modifier le niveau d'assistance au pédalage

iWOC One

Lorsque la commande iWOC One est allumée (ON), appuyez brièvement sur le bouton pour régler le niveau d'assistance au pédalage. Le voyant lumineux de la commande clignote et se colore en fonction du niveau d'assistance sélectionné (figure 22).

La sélection du niveau d'assistance pour la commande iWOC One est cyclique, il faut donc appuyer continuellement sur le bouton jusqu'à ce que le niveau souhaité soit sélectionné.

Remarque : si votre vélo est équipé à la fois du iWOC One et du iWOC Trio, seul le Trio permet de modifier le niveau d'assistance.

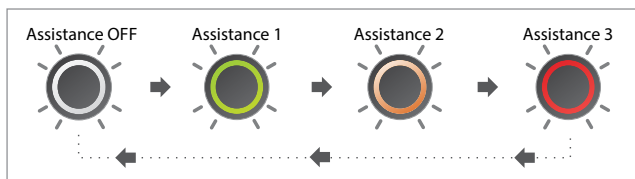


Figure 22

iWOC Trio

Lorsque la commande iWOC Trio est allumée (ON), appuyez brièvement sur les boutons fléchés pour régler le niveau d'assistance au pédalage. Le voyant lumineux de la commande clignote et se colore en fonction du niveau d'assistance sélectionné (figure 23). La sélection du niveau d'assistance pour la commande iWOC Trio est linéaire, il faut donc appuyer sur les boutons flèche vers le haut ou flèche vers le bas jusqu'à ce que le niveau souhaité soit sélectionné.



Figure 23

Mode d'assistance à la marche

Le mode d'assistance à la marche (Walk Assist) est un réglage d'assistance à basse vitesse qui vous aide à pousser le vélo électrique lorsque vous marchez à côté de ce dernier. Appuyez sur le bouton bas de la commande iWOC Trio et maintenez-le enfoncé pour passer en mode d'assistance à la marche (figure 24).

REMARQUE : le mode d'assistance à la marche n'est accessible qu'à partir de la commande iWOC Trio. Ce mode ne peut pas être lancé à partir de la commande iWOC One.

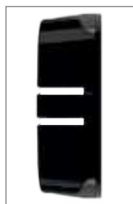


Figure 24

Avertissements relatifs à l'installation des composants

Vis de fixation du rotor arrière

Utilisez toujours des vis de 8 mm pour fixer le rotor arrière au moyeu du moteur. L'utilisation de vis plus longues endommagera les composants internes du moteur. L'utilisation de vis plus courtes compromettra la fixation du rotor sur le moyeu du moteur et peut provoquer des accidents et des blessures graves.

Vis de fixation de la batterie interne et du porte-bidon.

Utilisez toujours les vis de fixation de la batterie interne d'origine pour fixer la batterie interne au cadre et le porte-bidon au tube oblique. L'utilisation de vis différentes peut endommager la batterie interne.

Alignement de la roue arrière

La roue arrière doit être installée dans les pattes de fixation arrière de manière à ce que le câble du moteur soit orienté vers l'avant du vélo (figure 25). Installer la roue de façon différente peut endommager le câble du moteur.

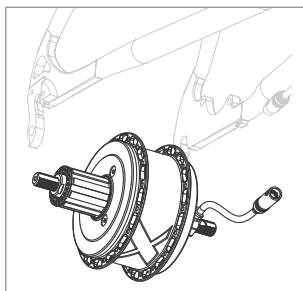


Figure 25

Installation ou réparations sans la chaîne

Lorsque vous effectuez des réparations et un entretien pour lesquels il a été nécessaire de retirer la chaîne, sachez que si la roue arrière est tournée, le capteur PAS détectera ce

mouvement et le moteur s'engagera et fera tourner la roue arrière. Gardez vos mains et vos outils éloignés de l'intérieur de la roue ou de toute pièce mobile pendant les réparations ou l'entretien.

Capteur PAS

La distance maximale entre le capteur PAS et la bague de verrouillage de cassette magnétisée est de 3 mm pour permettre une lecture correcte (figure 26). Si le système ne fournit pas d'assistance électrique, vérifiez la position du capteur PAS et sa distance par rapport à la bague de verrouillage.

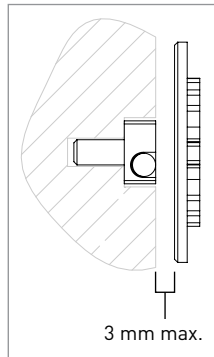


Figure 26

Éclairage

Respectez les spécifications de puissance maximale lorsque vous connectez des lampes au système X35 : 6 V / 6,6 W / 1100 mA.

La connexion d'un éclairage plus puissant peut entraîner une erreur d'éclairage du système.

Application My SmartBike de MAHLE

Application et services

L'application My SmartBike de MAHLE permet de connecter votre appareil intelligent à votre système X20. L'application My SmartBike non seulement affichera toutes les données essentielles de votre trajet et vous permettra de suivre et d'enregistrer vos activités, mais elle vous permettra également de personnaliser les niveaux d'assistance en fonction de vos préférences.

MAHLE continuera d'ajouter de nouvelles caractéristiques et fonctions au système de sorte que votre vélo sera toujours entièrement compatible avec les nouvelles applications logicielles et les solutions intelligentes qui seront ajoutées à l'avenir.

Votre système X20 est compatible avec toute la gamme d'applications SmartBike Systems de MAHLE qui présente les caractéristiques suivantes :

- My SmartBike version iOS pour les iPhones
- My SmartBike pour les téléphones Android
- Applications de navigateur www.my-smartbike.com

Pour établir un diagnostic du système dans un atelier professionnel, nous proposons également une application réservée aux distributeurs :

- SmartBike Lab (iOS et Android)

AVIS : Pour vous assurer que votre système X20 est toujours à jour, nous vous recommandons vivement de télécharger l'application My SmartBike et de connecter régulièrement votre système à votre appareil intelligent. Votre vélo sera ainsi toujours pourvu des mises à jour les plus récentes.

Application pour téléphone My-SmartBike 5.1.

The MAHLE My SmartBike app is compatible with smart devices using iOS or Android systems. The app lets you track and record your activities. With the available features, your smart device becomes your all-in-one smart bike display when placed on the handlebar.

ATTENTION : Pour votre propre sécurité, nous vous déconseillons d'utiliser votre appareil intelligent pendant que vous roulez s'il n'est pas fermement attaché au cintre.



Téléchargez les applications à l'aide des liens suivants :

Principales fonctions de l'application pour téléphones intelligents

Si vous connectez votre vélo électrique à l'application My SmartBike de MAHLE, vous bénéficierez des fonctionnalités suivantes :

- Définition des performances du moteur. Contrôlez la puissance, l'accélération et la réactivité de chaque niveau d'assistance.
- Enregistrement et suivi de vos activités et synchronisation automatique avec STRAVA. Vous pouvez toujours consulter en ligne les activités que vous avez terminées.
- Utilisation de votre téléphone intelligent comme écran principal pour consulter les principaux paramètres tels que l'état de la batterie, la fréquence cardiaque, l'autonomie etc.
- Contrôle automatique du niveau d'assistance.
- Accès à de l'information supplémentaire et à des didacticiels.
- Suivi de l'état de votre vélo électrique.
- Maintien du système à jour.
- Localisation de votre vélo électrique (dernière position connectée à votre appareil intelligent).
- Des fonctionnalités complémentaires seront ajoutées à l'avenir.

Réglages du moteur dans l'application pour téléphones intelligents

Le système X20 comprend 3 modes PRÉDÉFINIS. Chaque mode prédéfini est une configuration complète du système qui modifie la puissance maximale, l'accélération et la réactivité de chaque niveau d'assistance (de 1 à 3).



Figure 27

Le système comporte également un mode PERSONNALISÉ. Le mode PERSONNALISÉ vous permet de personnaliser chacun des niveaux d'assistance (1 à 3) en ajustant la puissance maximale, l'accélération et la réactivité.

Système PEAK

The system also features a CUSTOM mode. The CUSTOM mode will allow you to customize each of the assist levels (1 to 3) by adjusting peak power, acceleration, and reactiveness.

- Puissance :
La puissance de pointe définit la puissance maximale que le moteur peut fournir pendant une courte période (watts).
- Accélération :
L'accélération définit le temps nécessaire pour atteindre le niveau d'assistance complète que vous avez sélectionné. Un pourcentage inférieur entraînera une variation plus douce, tandis qu'un pourcentage supérieur l'accélérera.

- Réactivité au couple appliqué :
La réactivité définit la force que vous devez exercer pour atteindre la puissance désignée en sortie. Un pourcentage inférieur entraînera un effort plus important, tandis qu'un pourcentage supérieur facilitera l'accès à la puissance sélectionnée.

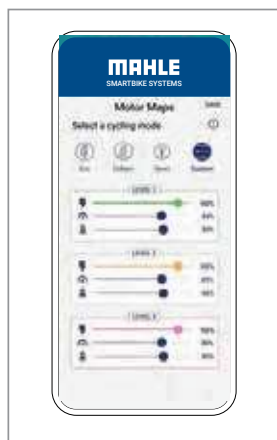


Figure 28

Smart Assist est un nouveau mode du système qui, en fonction de la pente du terrain, du poids du cycliste et de ses besoins en puissance, adapte le comportement du système X20 afin que le cycliste puisse profiter de son activité sans avoir à se soucier de changer de mode d'assistance pendant la séance. Le vélo fournit automatiquement l'assistance nécessaire à tout moment.

Pour utiliser ce mode, il suffit de :

1. Commencer votre trajet et faire glisser votre doigt vers la droite pour choisir le mode Smart Assist.
2. Une fois le mode Smart Assist sélectionné, l'application vérifiera si vous devez étalonner la console à partir de l'écran de démarrage. S'i le faut, suivez les étapes indiquées à l'écran.
3. My SmartBike vous demandera de configurer votre poids dans votre profil si vous ne l'avez pas fait.
4. Déterminer comment l'algorithme vous assistera dans votre effort au cours de l'activité.

Création d'un compte pour l'application pour téléphones intelligents

Afin de bénéficier de toutes les fonctions de l'application My SmartBike, veuillez à créer un compte personnel :

1. Accédez à www.my-smartbike.com/user/login au moyen de votre navigateur Internet et créez un compte d'utilisateur.
2. Téléchargez l'application My SmartBike sur votre appareil intelligent et créez un compte utilisateur directement sur votre appareil.



S'inscrire ici

Une fois que vous avez créé votre compte personnel, ouvrez l'application My SmartBike de MAHLE, mettez votre vélo en marche et suivez simplement le processus de l'application pour établir la connexion entre votre appareil et votre vélo par Bluetooth.

AVIS : Si vous avez besoin d'aide pour connecter votre appareil à votre vélo électrique, veuillez utiliser les didacticiels fournis dans l'application.

Ouvrez l'application et cliquez sur RÉGLAGES. Une fois RÉGLAGES choisi, allez dans DIDACTICIELS

Application Internet My SmartBike

Vous pouvez également consulter tous les détails de votre vélo électrique en ligne au moyen de votre navigateur Internet (sur n'importe quel appareil intelligent ou ordinateur). L'application Internet est destinée à vous donner plus de détails sur vos activités et un niveau plus élevé de suivi de votre utilisation générale du système. Veuillez vous rendre à l'adresse www.my-smartbike.com pour accéder au site Internet.

Principales fonctions de l'application Internet

L'application Internet présente les fonctionnalités suivantes :

- Chronologie de toutes vos activités
- Vue d'ensemble de toutes vos performances
- Visualisation détaillée de votre utilisation générale, notamment de l'utilisation des différents niveaux d'assistance
- Localisation de votre vélo électrique (dernière position connectée à votre appareil intelligent)
- État de votre vélo électrique (numéro de série, erreurs, rapports, dépannage, composants etc.)
- Suivi complet de vos activités, notamment une carte d'ensemble et une cartographie de puissance
- Segmentation de votre trajet en fonction du dénivelé, de la vitesse, de la pente, de l'altitude, de la fréquence cardiaque, du niveau d'assistance utilisé ou de la consommation électrique
- Accès à toutes les activités publiques
- Synchronisation avec STRAVA
- Partage de vos sorties sur les réseaux sociaux
- Documentation de votre système
- Assistance

Création d'un compte pour l'application Internet

Pour accéder à l'application Internet, utilisez le même nom d'utilisateur et le même mot de passe que ceux que vous utilisez pour les applications pour appareils intelligents.

Garantie

Garantie Salsa

Ce produit est garanti contre les défauts de matériaux et de fabrication pendant la période indiquée sur www.salsacycles.com et sur la page du produit à compter de la date d'achat au détail du produit, sous réserve des limitations ci-dessous. Conservez votre facture datée en guise de preuve d'achat.

Cette garantie NE couvre PAS les éléments suivants :

- Les dommages causés par un mauvais assemblage, un mauvais entretien ou par le manque de compétences, d'aptitude ou d'expérience de l'utilisateur ou de l'assembleur
- Les produits qui ont été modifiés, négligés, utilisés lors de compétitions ou à des fins commerciales, utilisés de façon incorrecte ou abusive, qui ont subi des accidents ou un traitement autre qu'une utilisation normale
- L'installation de composants, de pièces ou d'accessoires non compatibles ou non prévus pour être ajoutés au produit tel qu'il est vendu
- Les dommages ou la détérioration de la peinture, du fini, de la qualité esthétique ou de l'apparence du produit
- L'usure normale
- La main-d'œuvre nécessaire pour retirer et/ou remonter et réajuster le produit sur le vélo

La garantie limitée est expressément limitée à la réparation et au remplacement du produit d'origine, à la discrétion de Salsa, et constitue le seul recours possible en vertu de la garantie. Cette garantie limitée s'applique uniquement à l'acquéreur d'origine du produit Salsa et n'est pas transférable. Cette garantie s'applique uniquement aux produits achetés auprès d'un vendeur ou d'un distributeur autorisé. En aucun cas Salsa ne sera responsable de toute perte, tout désagrément ou tout dommage, qu'il soit direct, accidentel, consécutif ou qu'il résulte de tout autre manquement à toute condition ou garantie expresse ou implicite de qualité marchande, d'aptitude à un usage particulier, ou autrement en ce qui concerne nos Salsa produits sauf comme établi aux présentes. Cette garantie donne au consommateur des droits juridiques précis, et ces droits, ainsi que ses autres droits, peuvent varier selon son emplacement. Cette garantie n'affecte pas vos droits prévus par la loi.

DANS LA MESURE OÙ LA LOI L'AUTORISE, LES PRÉSENTES GARANTIES SONT EXCLUSIVES ET IL N'EXISTE AUCUNE AUTRE GARANTIE OU CONDITION, EXPLICITE OU IMPLICITE, NOTAMMENT TOUTE GARANTIE OU CONDITION DE QUALITÉ MARCHANDE OU D'APTITUDE À UN EMPLOI SPÉCIFIQUE.

Enregistrement de la garantie : une preuve d'achat est requise avant le traitement de toute réclamation au titre de la garantie. Salsa recommande donc vivement l'enregistrement de la garantie sur salsacycles.com. L'absence dudit enregistrement n'aura pas de conséquence sur les droits du consommateur en vertu de la garantie limitée décrite ci-dessus, dans la mesure où le consommateur peut prouver de manière raisonnable qu'il est le propriétaire d'origine du produit Salsa, ainsi que la date d'achat dudit produit. Si vous avez des questions, envoyez un mot à l'adresse courriel suivante warranty@salsacycles.com. Vous pouvez déposer une réclamation partout où les produits Salsa sont vendus. En cas de doute, contactez votre magasin local. Détaillez le problème que vous rencontrez, notamment, mais sans s'y limiter, en décrivant les autres pièces utilisées conjointement avec la pièce Salsa défectueuse.

REMARQUE : les conditions de la Garantie ne constituent pas une garantie de durée de fonctionnement du produit. La durée de vie du produit dépend de son utilisation, de son stockage et de son entretien au fil du temps. La Garantie ne sous-entend pas que le produit ne peut pas être cassé ou qu'il sera éternel. La Garantie indique simplement que le produit est protégé en vertu des conditions de la Garantie.

Garantie Mahle

Les composants Ebikemotion de MAHLE sont couverts par la garantie légale de 2 ans, ou la période de garantie légale du pays d'achat, valable à partir de la date d'achat des composants ou du vélo sur lequel ils sont montés.

Cette garantie couvre tous les produits Ebikemotion de MAHLE contre les défauts de fabrication ou le manque de conformité et donne au propriétaire du vélo ou du composant le droit de faire réparer ou remplacer le composant sans aucun coût supplémentaire dérivé de cette garantie.

Cette garantie ne couvre en aucun cas les dommages dérivés d'une utilisation inadéquate, de chutes ou d'accidents, d'un montage incorrect, d'un manque d'entretien ou du non-respect des recommandations d'utilisation, de rangement, de charge, etc. décrites dans ce manuel.

Le vieillissement naturel des batteries Ebikemotion de MAHLE et la perte de capacité due à une utilisation, une charge et un rangement normaux ne sont pas couverts par les conditions de la garantie.

Call2Recycle

Ne mettez pas votre vélo électrique ou ses composants au rebut avec les déchets ménagers. Pour savoir comment et où mettre les batteries de bicyclettes électriques au rebut en toute sécurité, consultez le site www.call2recycle.org/e-bikes.

Avis de la FCC (Federal Communications Commission)

AVIS : cet appareil est conforme à la Partie 15 des règles de la FCC. Le fonctionnement est soumis aux deux conditions suivantes :

1. Cet appareil ne doit pas causer d'interférences nuisibles, et
2. Cet appareil doit accepter toute interférence reçue, y compris les interférences susceptibles de provoquer un fonctionnement indésirable.

REMARQUE : cet équipement a été testé et déclaré conforme aux limites d'un appareil numérique de classe B, conformément à la Partie 15 des règles de la FCC. Ces limites sont conçues pour fournir une protection raisonnable contre les interférences nuisibles dans une installation résidentielle. Cet équipement génère, utilise et peut émettre une énergie de fréquence radio et, s'il n'est pas installé et utilisé conformément aux instructions, il peut causer des interférences nuisibles aux communications radio. Cependant, il n'y a aucune garantie que des interférences ne se produiront pas dans une installation particulière. Si cet appareil provoque des interférences nuisibles à la réception de la radio ou de la télévision, ce qui peut être déterminé en éteignant et en allumant l'appareil, l'utilisateur est invité à essayer de corriger ces interférences par l'une ou plusieurs des mesures suivantes : – Réorienter ou déplacer l'antenne de réception. – Augmenter la distance entre l'appareil et le récepteur. – Connecter l'appareil à une prise se trouvant sur un circuit différent de celui auquel le récepteur est branché. – Consulter le revendeur ou un technicien radio/TV expérimenté pour obtenir de l'aide.

Avis de l'ISDE (Innovation, Sciences et Développement économique Canada)

Cet appareil contient un ou des émetteurs/récepteurs exempts de licence qui sont conformes aux RSS exempts de licence d'Innovation, Science et Développement économique Canada. Le fonctionnement est soumis aux deux conditions suivantes :

1. Cet appareil ne doit pas causer d'interférences nuisibles, et
2. Cet appareil doit accepter toute interférence, y compris les interférences susceptibles de provoquer un fonctionnement indésirable de l'appareil.

Cet équipement est conforme aux limites d'exposition aux radiations fixées par le Canada pour un environnement non contrôlé. Cet appareil doit être installé et utilisé avec une distance minimale de 20 cm entre le radiateur et votre corps. Cet émetteur ne doit pas être installé au même endroit ou fonctionner en conjonction avec une autre antenne ou un autre émetteur.



SALSACYCLES.COM