



2023 SCOTT  
**GENIUS/GENIUS ST**  
MANUAL

# CONTENT

**THE GENIUS/GENIUS ST SHOULD BE ADJUSTED EXACTLY TO THE RIDER FOR MAXIMUM SAFETY AND RIDEABILITY.**

**Please contact your authorized SCOTT dealer for advice in order to avoid technical problems or any harm.**

GEOMETRY & TECHNICAL DATA	03
HEADSET ADJUSTMENT	05
SETTING SAG	06
TWINLOC & TRACLOC	07
CABLE ROUTING	08
SPARE PARTS	10
MANUFACTURE'S GUARANTEE	12

# LEGEND



**TORQUE REQUIRED**



**TORX TOOL SIZE**



**NO GREASE REQUIRED**



**TORQUE AMOUNT**



**GREASE REQUIRED**



**TASK DIFFICULTY**



**CARBON GREASE REQUIRED**



**HEX TOOL SIZE**



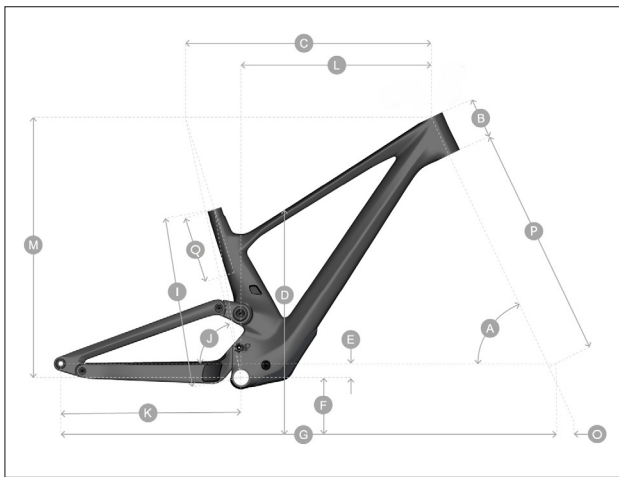
**THREADLOC REQUIRED**



**BEARING FIT REQUIRED**

# GEOMETRY & TECHNICAL DATA

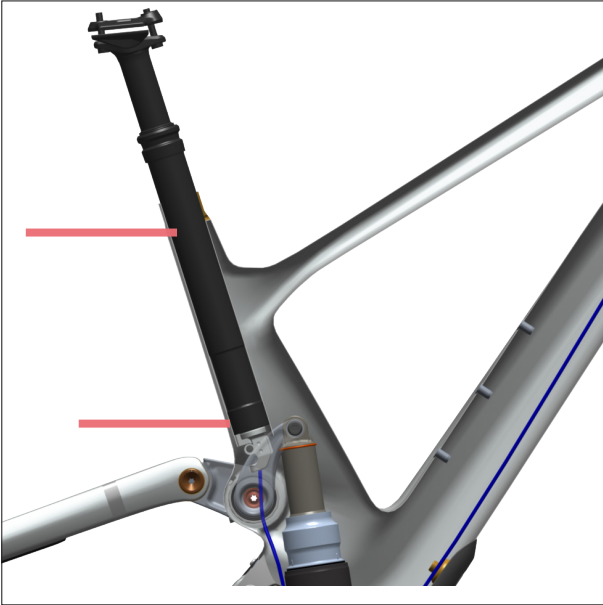
<b>SEATPOST</b>	mm	31.6	<b>MAX ROTOR</b>	mm	180 Rr 203 Ft
<b>SEATPOST CLAMP</b>	mm	34.9	<b>MAX CHAINRING</b>	Tooth	34
<b>TRAVEL</b>	mm	150 Rr 160 Ft	<b>MAX TYRE WIDTH</b>	in	2.6
<b>SHOCK LENGTH</b>	mm	185	<b>MAIN PIVOT / CHAINSTAY</b>	mm	61802-2RS x 2
<b>SHOCK STROKE</b>	mm	55	<b>LINKAGE / SEATTUBE</b>	mm	61806-2RS x 2
<b>HARDWARE M.FRAME</b>	mm	Trunnion	<b>LINKAGE / SEATSTAY</b>	mm	61802-2RS x 2
<b>HARDWARE LINKAGE</b>	mm	8 X 20	<b>SEATSTAY / CHAINSTAY</b>	mm	61801-2RS x 4



	<b>MY23 GENIUS/ST</b>		<b>SM</b>	<b>/ST</b>	<b>MED</b>	<b>/ST</b>	<b>LG</b>	<b>/ST</b>	<b>XL</b>	<b>/ST</b>
A	Head tube angle	°	65.1	63.9	65.1	63.9	65.1	63.9	65.1	63.9
B	Head tube length	mm	90	90	100	100	120	120	135	135
C	Top tube horizontal	mm	570.1	570.1	602.2	602.2	631.3	631.3	659.3	659.3
D	standover height	mm	728.5	728.5	738.5	738.5	753.5	753.5	768.5	768.5
E	BB offset	mm	-33	-33	-33	-33	-33	-33	-33	-33
F	BB height	mm	342.5	342.5	342.5	342.5	342.5	342.5	342.5	342.5
G	Wheelbase	mm	1182	1195	1216	1229	1249	1263	1281	1294
I	BB center to TST	mm	380	380	410	410	440	440	470	470
J	Seat angle	°	76.8	76.8	77.1	77.1	77.2	77.2	77.4	77.4
K	Chainstay	mm	440	440	440	440	440	440	440	440
L	Reach	mm	430	430	460	460	485	485	510	510
M	Stack	mm	617	617	626.1	626.1	644.2	644.2	657.8	657.8
	Fork Rake	mm	44	44	44	44	44	44	44	44
	Trail	mm	125.8	125.8	125.8	125.8	125.8	125.8	125.8	125.8

# GENIUS / GENIUS ST

## GEOMETRY & TECHNICAL DATA CONT.



Please observe the maximum seatpost insertion so not to damage the frame.

Small: 173 mm Max Insertion

Medium: 204 mm Max Insertion

Large: 234 mm Max Insertion

X-Large: 265 mm Max Insertion



Please note that on the small sized frame it is only possible to use a 500 ml water bottle, with a side entry cage.



# GENIUS / GENIUS ST

## HEADSET ADJUSTMENT



It is important to install the headset correctly depending on the set up required. There are two types of headset cups.

0° & 0.6° ( 64° & 65°) These can be identified from the stamp on the inner surface of the headset cup

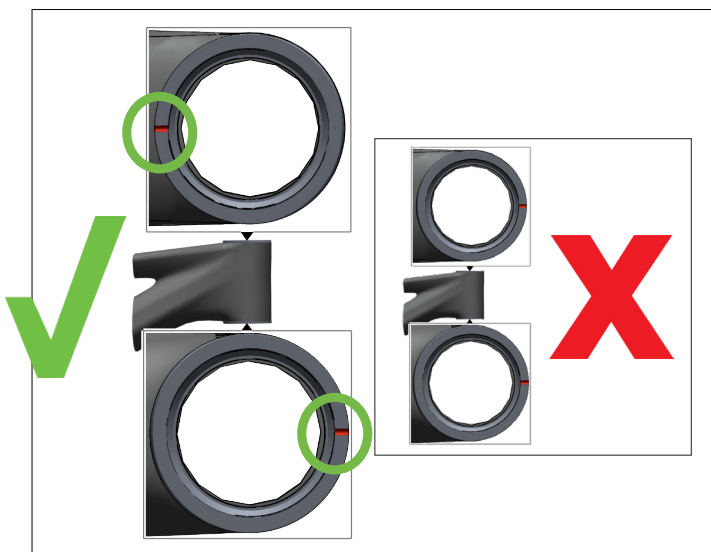
The headset is available in two options:

**288251 SYN HEADSET ZS56/28.6-ZS56/40 MTB**

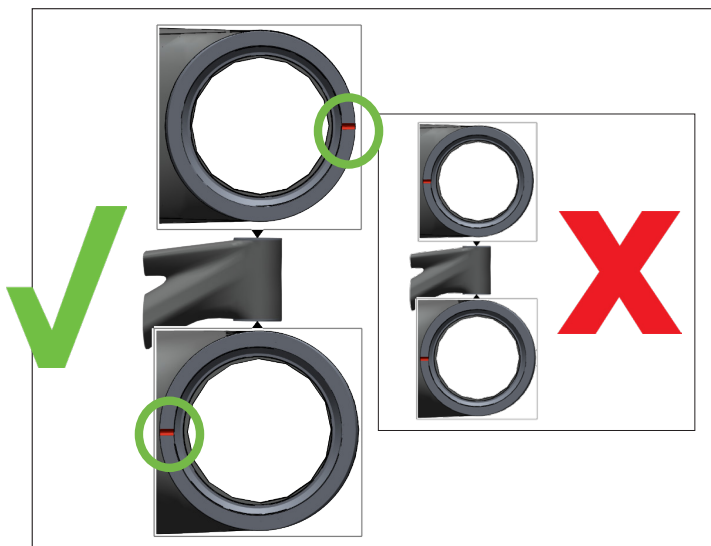
**290060 SCO HEADSET CUP KIT SPARK 22**



Do not use a standard headset tool to remove these plastic headset cups.



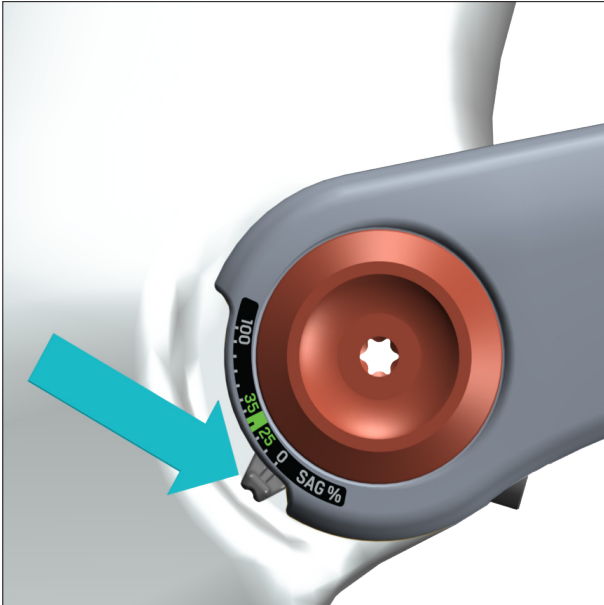
Slacker



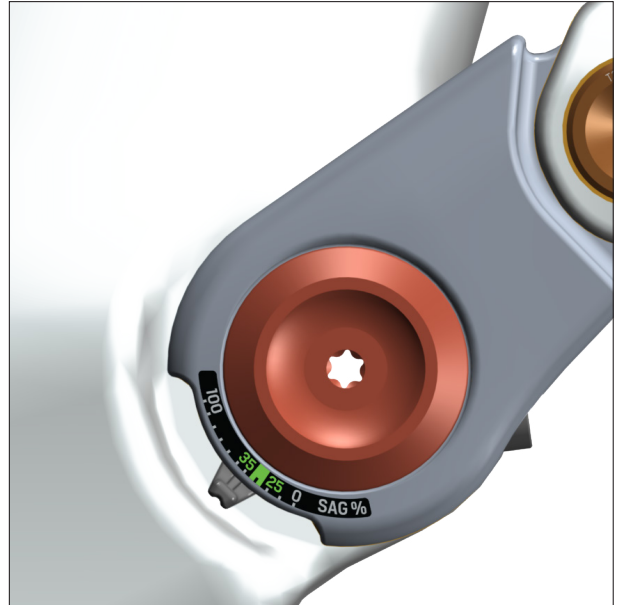
Steeper

# GENIUS / GENIUS ST

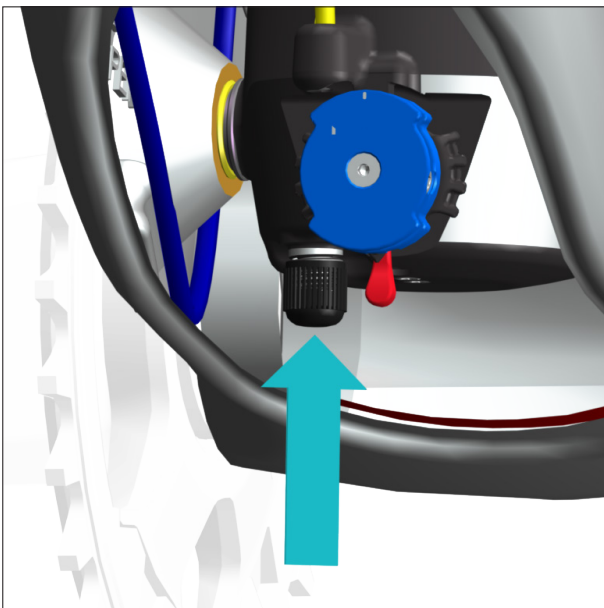
## SAG ADJUSTMENT



**01** Wear your normal riding gear, set the sag meter to zero & the twinloc in the open position.



**02** Gently sit on the bike allowing the sag meter to move. Once completed dismount the bike gently. Check the value.



If the sag value is not to your liking within the sag range indicated, adjust the shock pressure as indicated above.



The sag indicator is available as a separate part. Check with your Authorised Scott Dealer for the correct installation.

**297094 SCO SAG INDICATOR GENIUS 23**

# GENIUS / GENIUS ST

## TWINLOC & TRACLOC

GENIUS	NAME	PART NO.	CAM TYPE	DROPPER
GENIUS 900	TWINLOC TSP3	290009	BLUE CAM	YES
GENIUS 910	TWINLOC TSP3	290009	BLUE CAM	YES
GENIUS 920	TWINLOC TSP3	290009	BLUE CAM	YES
GENIUS 930	TWINLOC TSP3	290009	BLUE CAM	YES
GENIUS 940	TWINLOC TSP3	290009	BLUE CAM	YES
GENIUS ST				
GENIUS ST 900	TRACLOC	291219	N/A	YES
GENIUS ST 910	TRACLOC	291219	N/A	YES
GENIUS ST 920	TRACLOC	291219	N/A	YES
CONTESSA GENIUS				
CONTESSA GENIUS ST 910	TRACLOC	291219	N/A	YES
CONTESSA GENIUS 920	TWINLOC	290009	BLUE CAM	YES

The Genius Twinloc follows the same system as the Spark 2022.

The Genius ST is rear Tracloc only: **291219 BLD TRACLOC LINKIN 22**

# GENIUS / GENIUS ST

## CABLE ROUTING



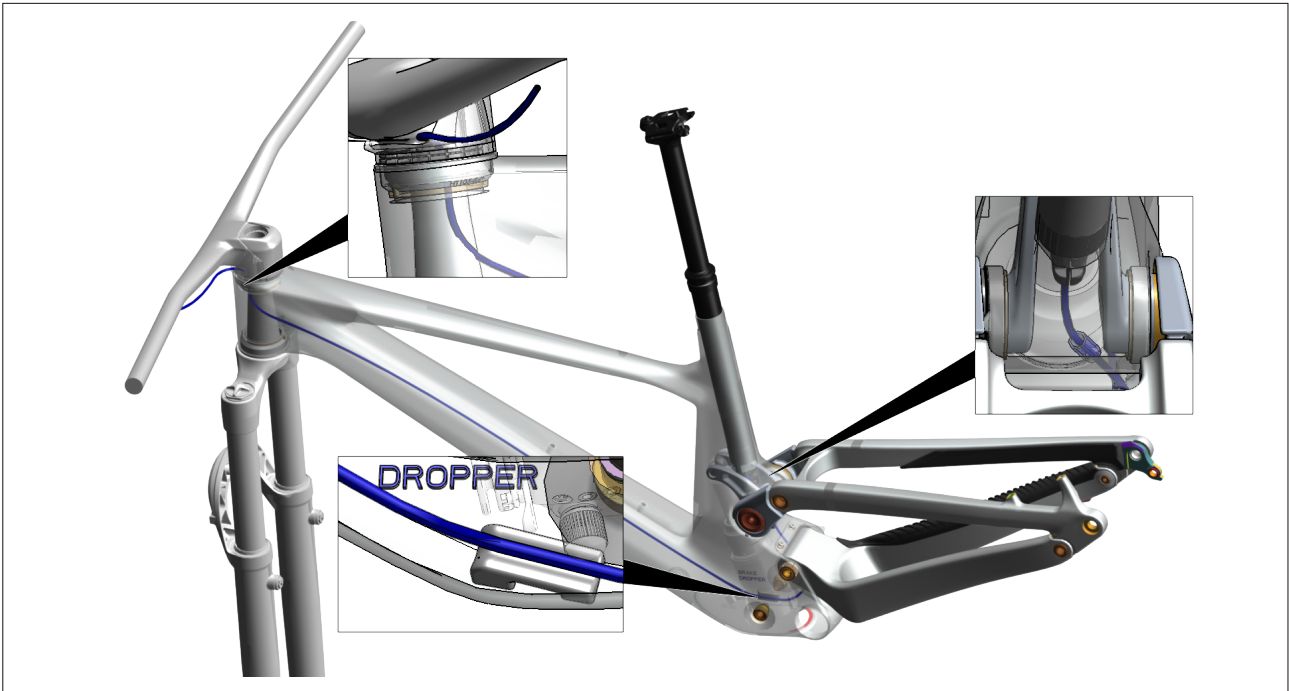
For the alloy frames there will be a protective rubber sleeve inside the headtube for the cables.



**297134 SCO CABLE GUIDE H-TUBE INNER SCALE AL 23**

Rear Brake

Foam tubing: **277026 SCO CABLE ANTI-RATTLE LINER 90CM 20**

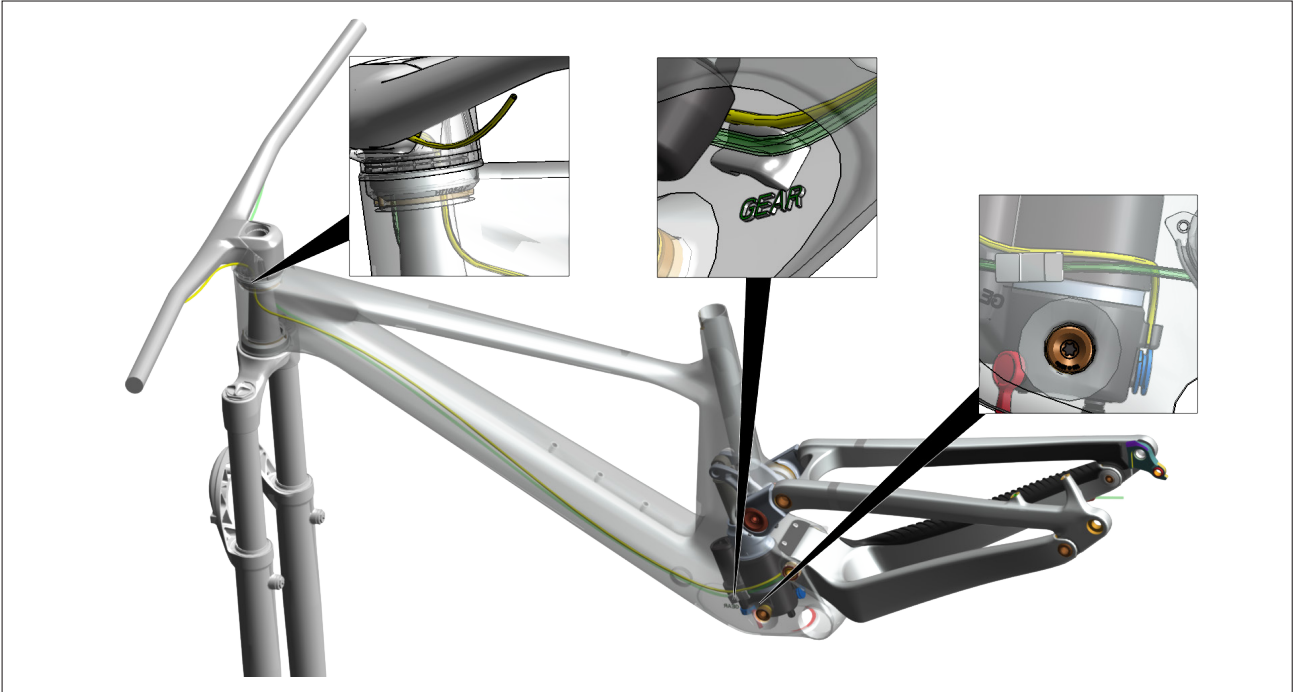


Dropper Seatpost



# GENIUS / GENIUS ST

## CABLE ROUTING



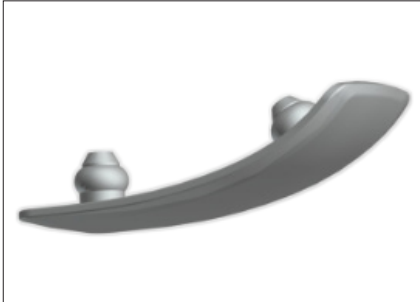
Twinloc / Tracloc



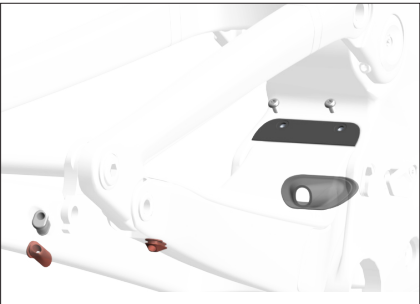
Rear Derailleur

# GENIUS / GENIUS ST

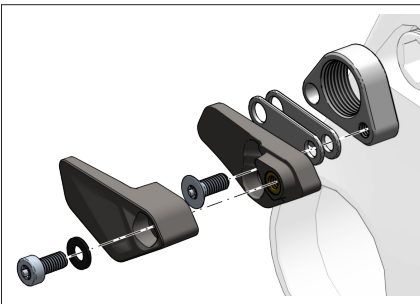
## SPARE PARTS



**297086 SCO STEM ACCESSORY COVER COMBO 22**



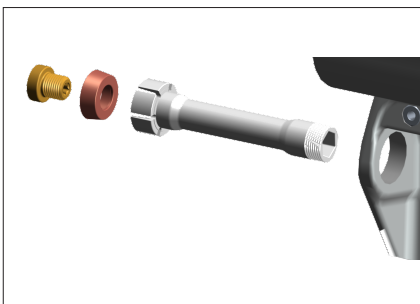
**297672 SCO CABLEGUIDE & BB COVER GENIUS 23**



**296606 SCO CHAINGUIDE GENIUS 23**



**296609 SCO AXLE RWS REAR 148X12 GENIUS PLUG 23**

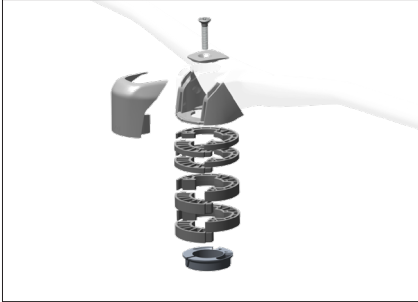


**296610 SCO SWINGARM REP KIT GENIUS 23**

**297673 SCO MAIN PIVOT SPARK 22 / LUMEN 23**

# GENIUS / GENIUS ST

## SPARE PARTS CONT.



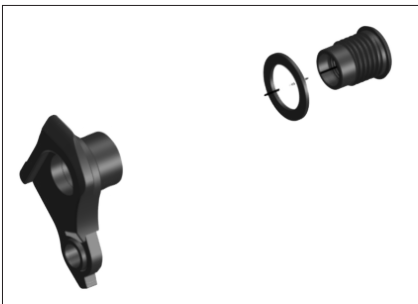
### 297522 SCO STEM SPACER/TOP CAP GENIUS 23

Spacers included: 2 x 5 mm / 2 x 10 mm / 2 x 2 mm  
(Compression Ring & Stem Cap Assembly)

The kit fits all stem options, Hixon IC / Combo /  
AM 1.5 / AM 2



### 419615 SCO GENIUS CARBON 23 CS / ST PROT 419616 SCO GENIUS ALLOY CS / ST PROTECTORS



### 286000 SCO DROPOUT SRAM UDH 21



Reverse Thread



### 297277 SCO CABLE / SHOCK DT COVER GENIUS 23

# MANUFACTURER'S GUARANTEE,

When purchasing a new SCOTT bicycle from an authorized SCOTT dealer, SCOTT grants a manufacturer's guarantee subject to the following provisions.

## CONDITIONS

The manufacturer's guarantee is only granted to the first-time buyer of a SCOTT bicycle who has purchased it from an authorized SCOTT dealer. The manufacturer's guarantee only applies if the bicycle is registered to the first buyer at [www.scott-sports.com](http://www.scott-sports.com) within ten days of purchase.

## DURATION

The manufacturer's guarantee is granted from the date of purchase for a period of five years on bicycle frames and rear ends. The guarantee period is reduced to three years, if the SCOTT bicycle is not serviced at least once a year by an authorized SCOTT dealer. Maintenance services must be carried out in accordance with the maintenance instructions in the SCOTT manual and must be confirmed there by the stamp and signature of the authorized SCOTT dealer.

For frames and rear ends of Category 5 bicycle models and for rigid forks manufactured by SCOTT, the duration of the manufacturer's guarantee is limited to two years.

If a defect on the SCOTT bicycle is remedied within the scope of a manufacturer's guarantee or a warranty claim, the duration of the manufacturer's guarantee is not extended. The manufacturer's guarantee ends, when the first-time buyer transfers ownership of the SCOTT bicycle to a third person.

## ASSERTION

The manufacturer's guarantee is provided by SCOTT Sports SA, Route du Crochet 11, 1762 Givisiez, Switzerland. The buyer must inspect the SCOTT bicycle immediately after purchase and notify his authorized SCOTT dealer at once in writing of any obvious defects. Hidden defects must be reported immediately after their discovery. In the event of a guarantee claim, the SCOTT bicycle must be handed over to an authorized SCOTT dealer. The latter will contact SCOTT to remedy the defect. The assertion of a guarantee claim always requires the presentation of the original proof of purchase as well as the proof of maintenance service in the SCOTT manual.

Performance of SCOTT in the event of a guarantee claim

In the event of a guarantee claim, SCOTT will, at its own discretion, repair the defect or replace the defective product with a product of similar quality, whereby colour and model deviations are possible. If a repair or replacement is not possible, a purchase price refund will be made taking into account previous use. SCOTT is entitled to commission third parties to remedy the defect.

## LIMITATIONS

The manufacturer's guarantee applies exclusively to frames, swingarms and rigid forks of SCOTT bicycles. Bicycle components are excluded from this manufacturer's guarantee.

The manufacturer's guarantee does not apply to normal wear and tear, damage caused by accidents or other excessive force on the SCOTT bicycle, corrosion, improper maintenance, incorrect assembly and assembly of unsuitable components or accessories as well as cosmetic defects, for example in the varnish.

The manufacturer's guarantee does not apply to SCOTT bicycles that have been used in a rental shop.

## MISCELLANEOUS

These manufacturer's guarantee provisions apply to all SCOTT bicycles as of model year 2023. Statutory warranty rights of the buyer and guarantees of component manufacturers (Shimano, SRAM etc.) remain unaffected by this manufacturer's guarantee.

The place of jurisdiction for all disputes in connection with this manufacturer's guarantee is Freiburg, Switzerland. This manufacturer's guarantee is subject to Swiss law to the exclusion of all legislation that refers to foreign law.



The image shows a 'SCOTT Bike Warranty Periods' table. It has a header row with columns for 'Year 1', 'Year 2', 'Year 3', 'Year 4', and 'Year 5'. Below the header, there are two rows of data. The first row is for 'SCOTT Bikes' and the second row is for 'Gambler, Voltage FR, Volt-X'. Both rows have shaded cells under all five year columns, indicating a 5-year warranty. Below the table, there is a section for 'Regular Warranty Period' with a blank line, and a note: 'Option for prolongation according to maintenance intervals shown in manuals attached to bikes'.

	Year 1	Year 2	Year 3	Year 4	Year 5
SCOTT Bikes					
Gambler, Voltage FR, Volt-X					

Regular Warranty Period \_\_\_\_\_

Option for prolongation according to maintenance intervals shown in manuals attached to bikes



© SCOTT Sports SA 2022. All rights reserved.  
The information contained in this manual is in various languages  
but only the English version will be relevant in case of conflict.

P.E.D Zone C1, Rue Du Kiell 60 | 6790 Aubange | Belgium Distribution: SSG (Europe) Distribution Center SA  
SCOTT Sports SA | 11 Route du Crochet | 1762 Givisiez | 2022 SCOTT Sports SA [www.scott-sports.com](http://www.scott-sports.com) Email:  
[webmaster.marketing@scott-sports.com](mailto:webmaster.marketing@scott-sports.com)