



2023 SCOTT
LUMEN eRIDE MANUAL

CONTENT

THE LUMEN eRIDE SHOULD BE ADJUSTED EXACTLY TO THE RIDER FOR MAXIMUM SAFETY AND RIDEABILITY.

Please contact your authorized SCOTT dealer for advice in order to avoid technical problems or any harm.

GEOMETRY & TECHNICAL DATA	03
HEADSET ADJUSTMENT	05
SETTING SAG	06
TWINLOC	07
TQ SYSTEM MANUALS	07
CABLE ROUTING	08
SPARE PARTS	11
MANUFACTURE'S GUARANTEE	15

LEGEND



TORQUE REQUIRED



NO GREASE REQUIRED



GREASE REQUIRED



CARBON GREASE REQUIRED



THREADLOC REQUIRED



BEARING FIT REQUIRED



TORX TOOL SIZE



TORQUE AMOUNT

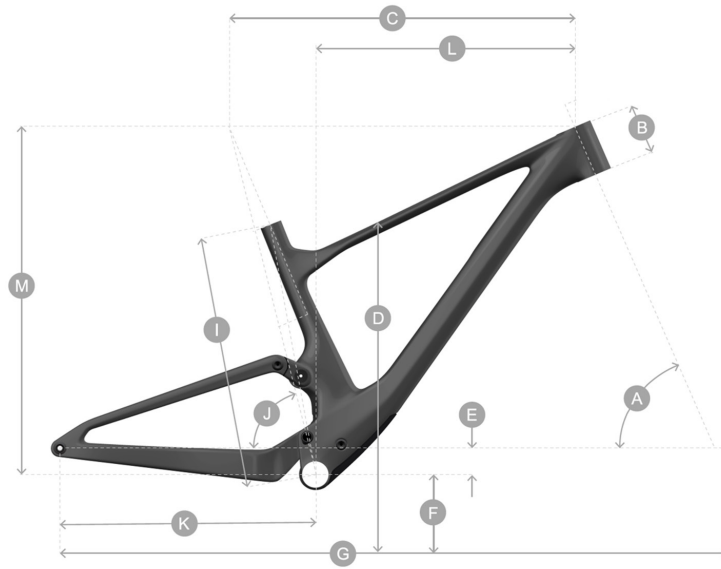


TASK DIFFICULTY



HEX TOOL SIZE

GEOMETRY & TECHNICAL DATA

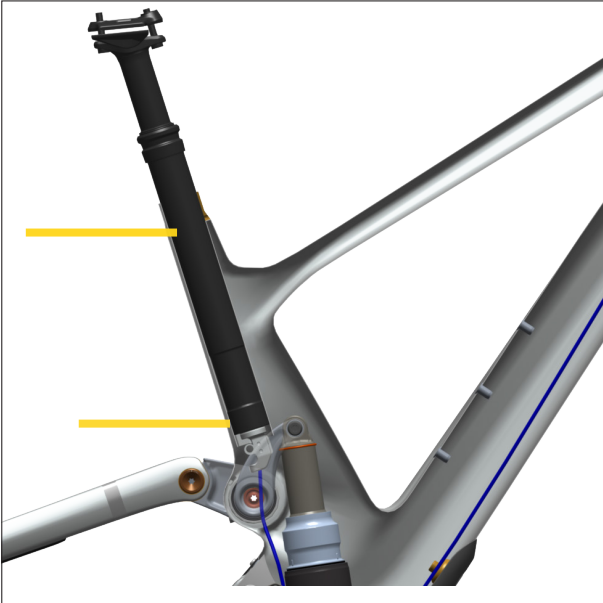


SEATPOST	mm	31.6	MAX ROTOR	mm	200 Rr 200 Ft
SEATPOST CLAMP	mm	34.9	MAX CHAINRING	Tooth	36
TRAVEL	mm	130 Rr 150 Ft	MAX TYRE WIDTH	in	2.6
SHOCK LENGTH	mm	165	CHAINLINE	mm	55
SHOCK STROKE	mm	45			
HARDWARE M.FRAME	mm	Trunnion			
HARDWARE LINKAGE	mm	8 x 20			

	MY23 LUMEN eRIDE		SM	MED	LG	XL
A	Head tube angle	°	65.5	65.5	65.5	65.5
B	Head tube length	mm	110	110	120	135
C	Top tube horizontal	mm	562	589	620	645
D	standover height	mm	765	767	780	800
E	BB offset	mm	-38.5	-38.5	-38.5	-38.5
F	BB height	mm	338.5	338.5	338.5	338.5
G	Wheelbase	mm	1176	1206	1240	1270
I	BB center to TST	mm	415	440	480	520
J	Seat angle	°	76.8	77	77.2	77.5
K	Chainstay	mm	450	450	450	450
L	Reach	mm	416	446	476	501
M	Stack	mm	615	615	625	638
	Fork Length	mm	540	540	540	540
	Trail	mm	126	126	126	126

LUMEN eRIDE

GEOMETRY & TECHNICAL DATA CONT.



Please observe the maximum seatpost insertion so not to damage the frame.

Small: 150 mm Max Insertion

Medium: 175 mm Max Insertion

Large: 215 mm Max Insertion

X-Large: 255 mm Max Insertion



Please note that on the small sized frame it is only possible to use a 500 ml water bottle, with a side entry cage.

LUMEN eRIDE

HEADSET ADJUSTMENT



It is important to install the headset correctly depending on the set up required. There are two types of headset cups.

0° & 0.6° (64° & 65°) These can be identified from the stamp on the inner surface of the headset cup.

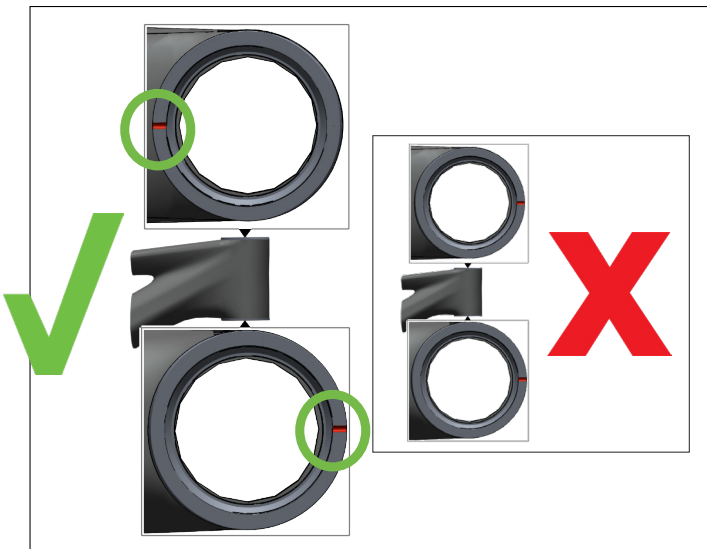
The headset is available in two options:

288251 SYN HEADSET ZS56/28.6-ZS56/40 MTB

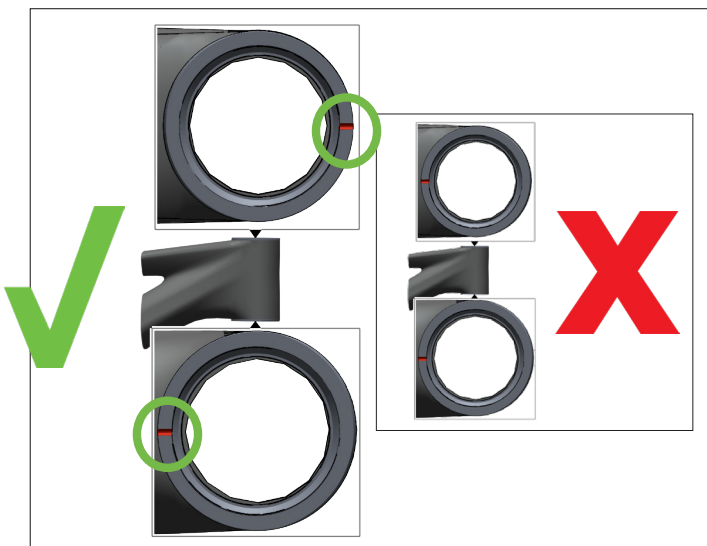
290060 SCO HEADSET CUP KIT SPARK 22



Do not use a standard headset tool to remove these plastic headset cups.



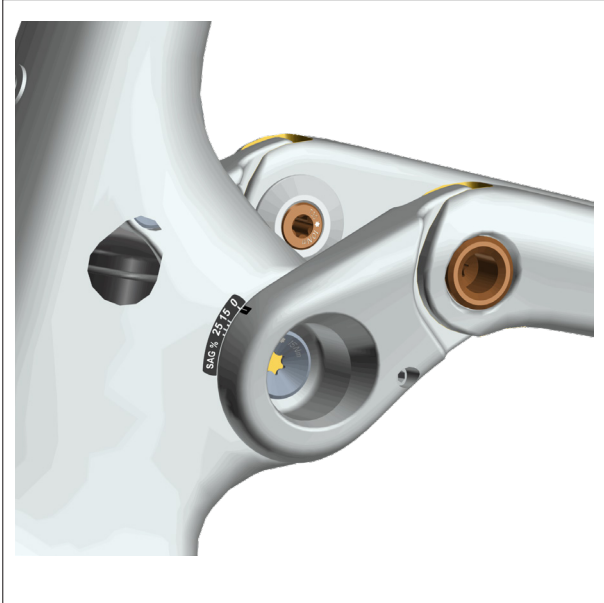
Slacker



Steeper

LUMEN eRIDE

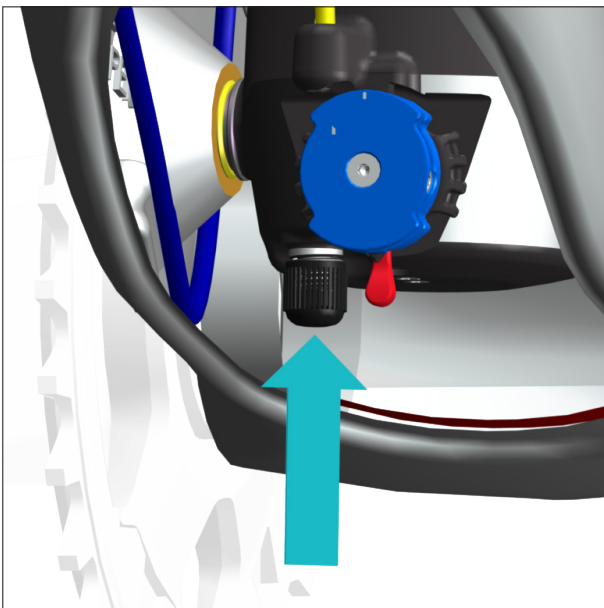
SAG ADJUSTMENT



01 Wear your normal riding gear, set the sage meter to zero & the twinloc in the open position.



02 Gently sit on the bike allowing the sag meter to move. Once completed dismount the bike gently. Check the value.



If the sag value is not to your liking within the sag range indicated, adjust the shock pressure as indicated above.



You may need to use this specific valve extender depending on which shock pump you have.

**297520 SCO eRIDE REAR SHOCK VALVE
EXTENDOR 23**

LUMEN eRIDE

TWINLOC

LUMEN	NAME	PART NO.	CAM TYPE	DROPPER
LUMEN eRIDE 900 SL	TWINLOC TSP3	290009	BLUE CAM	YES
LUMEN eRIDE 900	TWINLOC TSP3	290009	BLUE CAM	YES
LUMEN eRIDE 910	TWINLOC TSP3	290009	BLUE CAM	YES

LUMEN eRIDE

TQ SYSTEM MANUALS



Motor Manual



Battery Manual



Display Manual



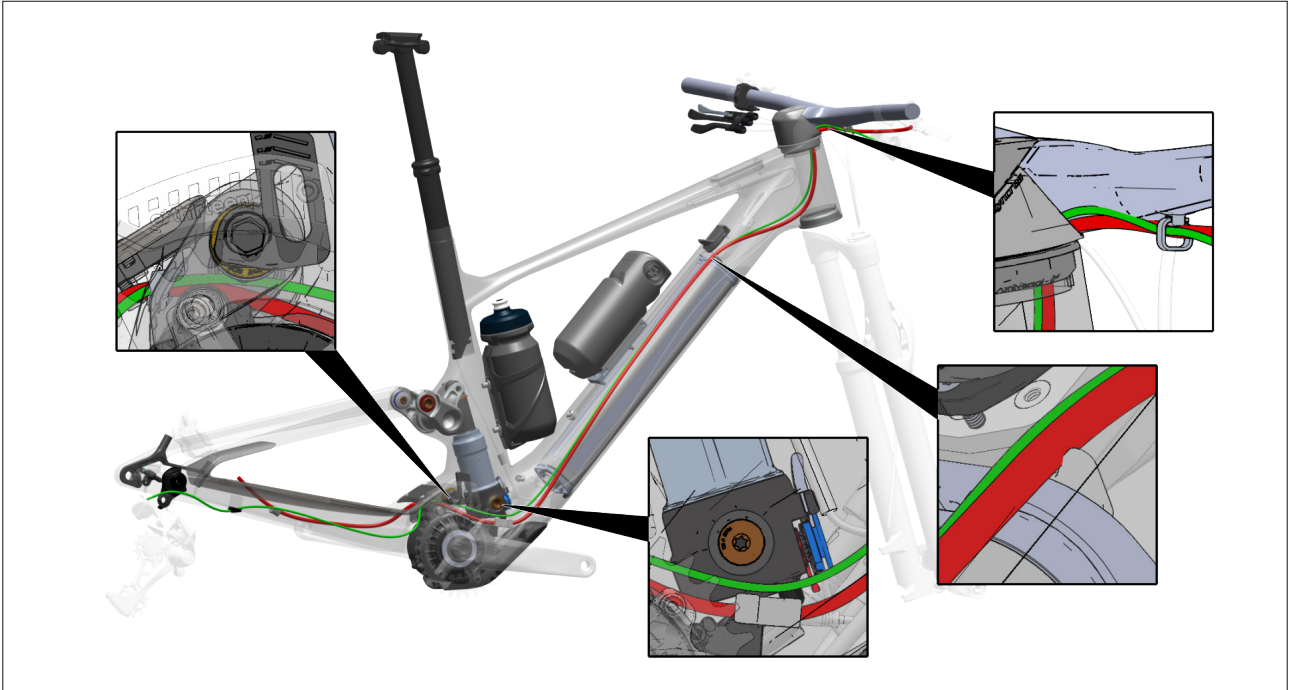
Range Extender Manual



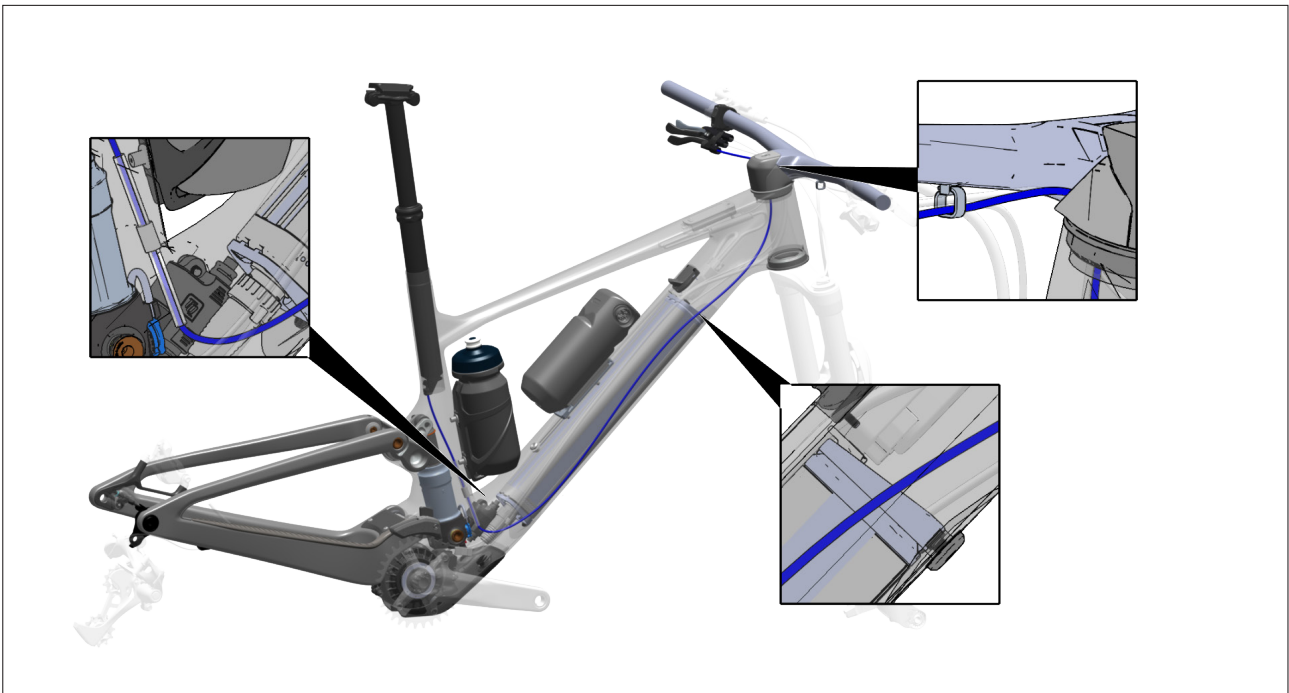
Charger Manual

LUMEN eRIDE

CABLE ROUTING



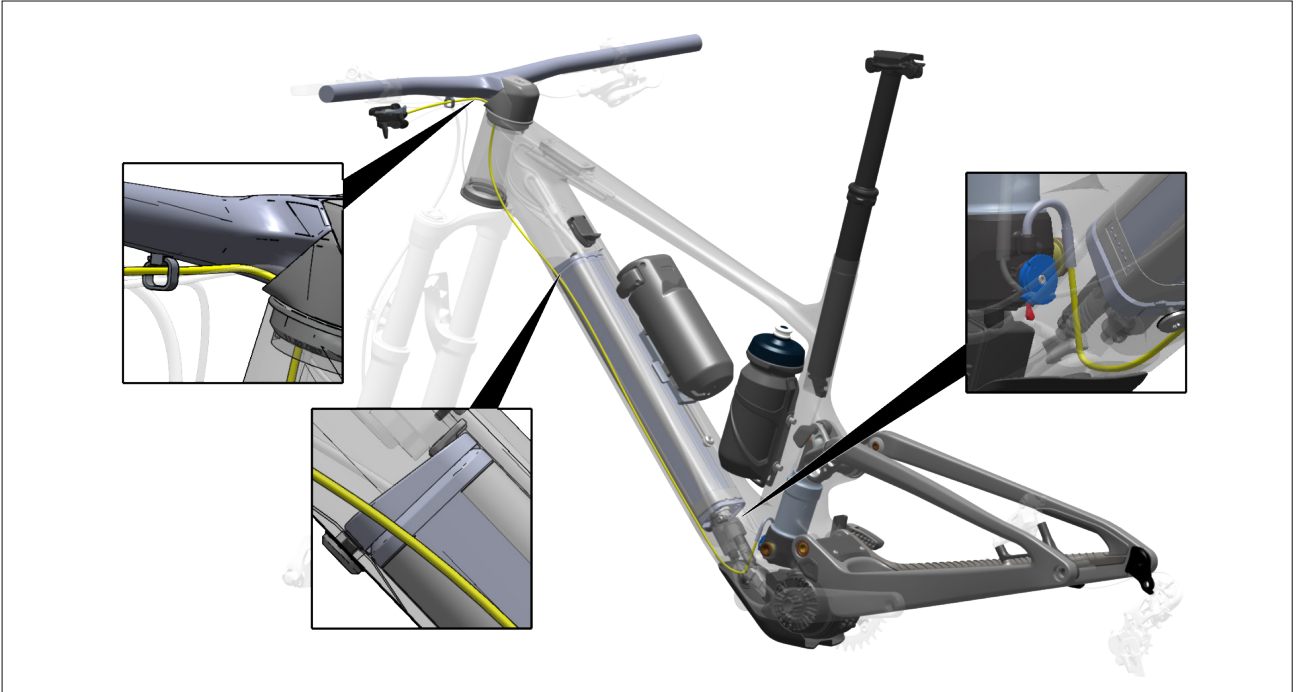
Rear Brake & Rear Derailleur



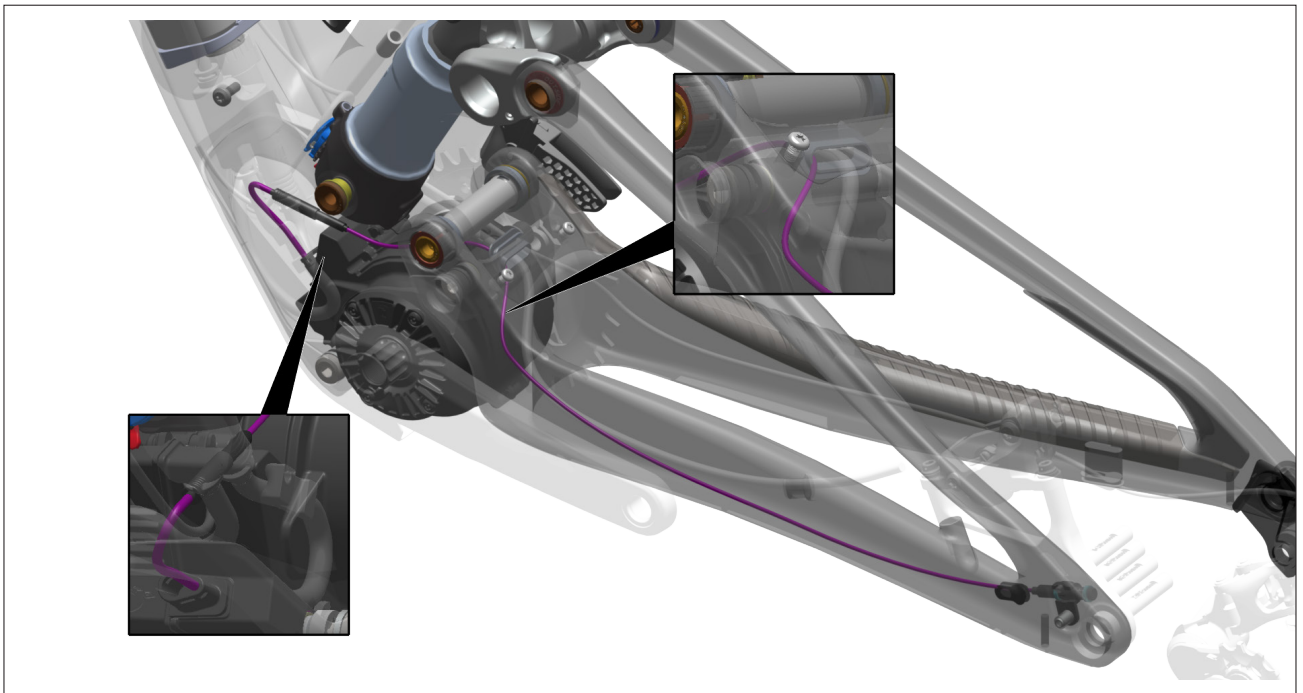
Dropper Seatpost

LUMEN eRIDE

CABLE ROUTING



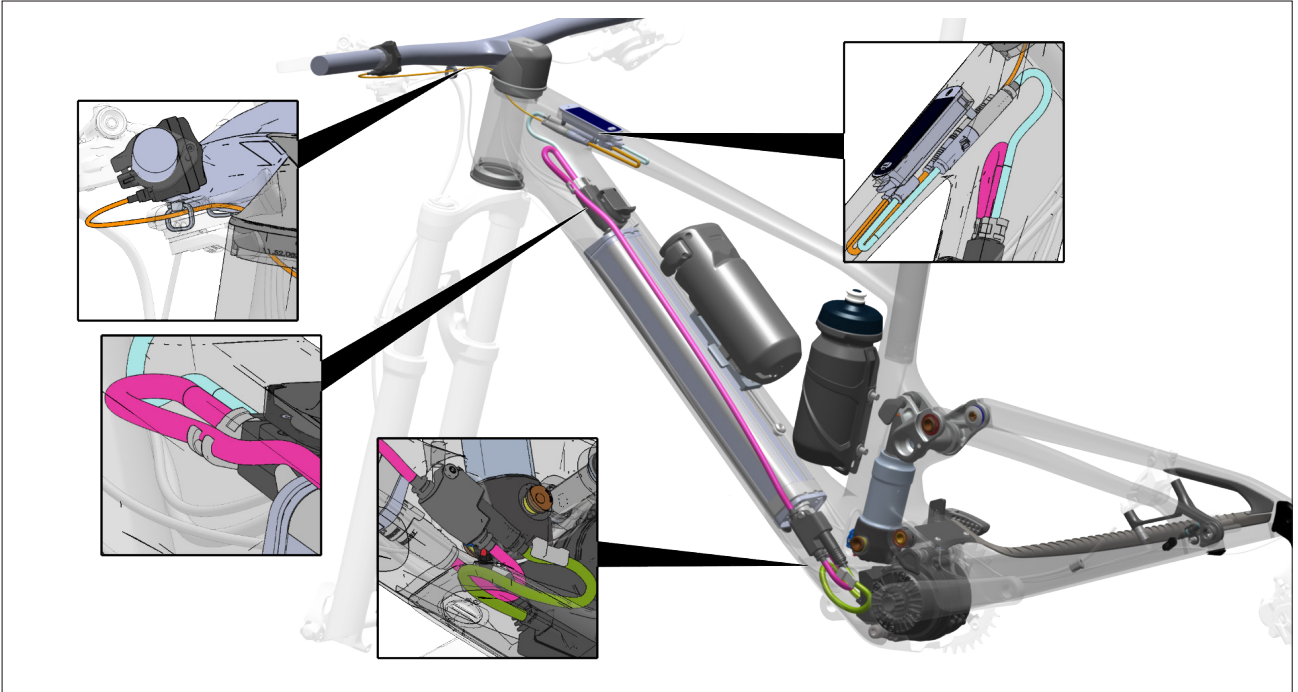
Twinloc



Speed Sensor

LUMEN eRIDE

CABLE ROUTING



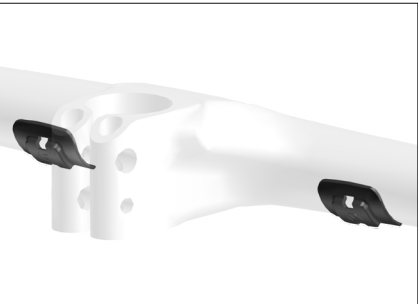
TQ System

LUMEN eRIDE

SPARE PARTS



297265 SCO eRIDE BRAKE MOUNT LUMEN 23



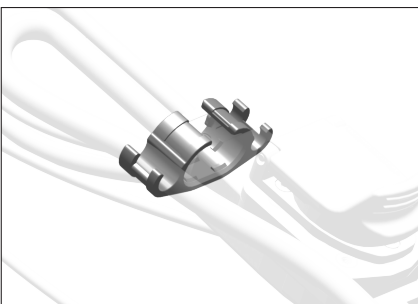
290054 SCO HANDLEBAR CABLEGUIDE KIT MTB IC 22



297270 SCO eRIDE CABLEGUIDE/COVER KIT LUMEN 23



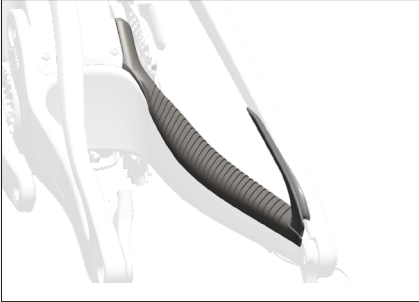
297269 SCO eRIDE SHOCK COVER LUMEN 23



297516 SCO eRIDE INTERNAL CABLEGUIDE 23

LUMEN eRIDE

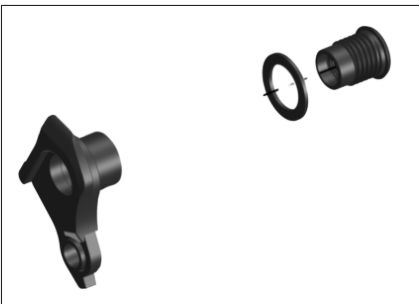
SPARE PARTS CONT.



420010 SCO LUMEN eRIDE 23 CS/ST PROTECTOR



297266 SCO eRIDE CHAINGUIDE LUMEN 23



286000 SCO DROPOUT SRAM UDH 21



Reverse Thread



290016 SCO AXLE RWS 148X12 SPARK PLUG 22



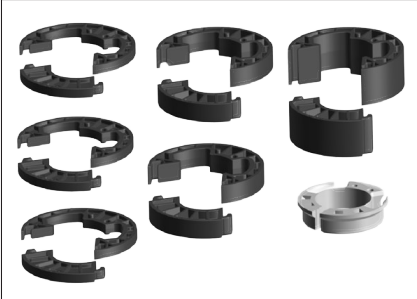
290059 SCO STEM SPACER/TOP CAP SY MTB XC 22

290057 SCO STEM SPACER/TOP CAP SY MTB COMBO 22

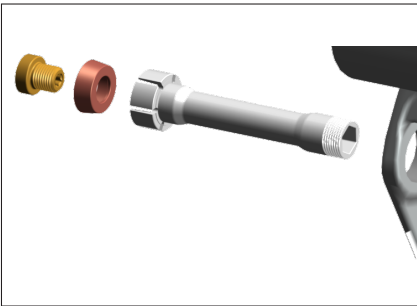
290058 SCO STEM SPACER/TOP CAP SY MTB DC 22

LUMEN eRIDE

SPARE PARTS CONT.



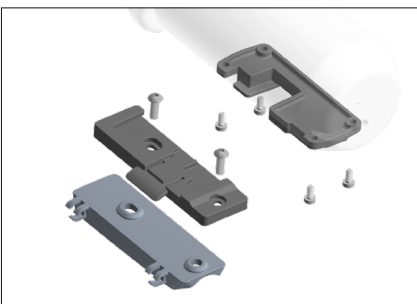
290056 SCO HEADSET SPACER KIT IC MTB 22



297673 SCO MAIN PIVOT SPARK 22/LUMEN 23



292668 BLD SHOCK NOODLE LINKIN 22



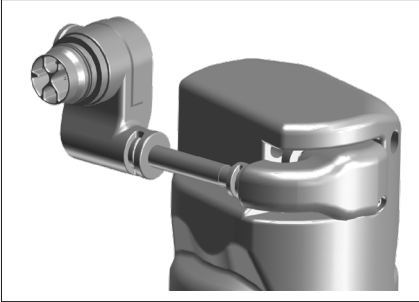
294540 SCO eRIDE TQ RANGER EXTENDER HOLDER



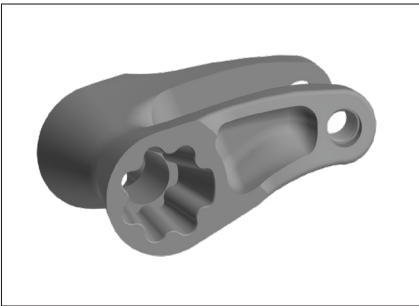
294537 SCO eRIDE TQ RANGE EXTENDER

LUMEN eRIDE

SPARE PARTS CONT.



294538 SCO eRIDE TQ RANGE EXTENDER CABLE MTB



294767 SCO eRIDE LINKAGE BAR INNER LUMEN 23



296209 SCO eRIDE TQ SPEEDSENSOR 23



296217 SCO eRIDE TQ LOCKRING SET 23



296216 SCO eRIDE TQ H-BAR REMOTE SET 23

MANUFACTURER'S GUARANTEE,

When purchasing a new SCOTT bicycle from an authorized SCOTT dealer, SCOTT grants a manufacturer's guarantee subject to the following provisions.

CONDITIONS

The manufacturer's guarantee is only granted to the first-time buyer of a SCOTT bicycle who has purchased it from an authorized SCOTT dealer. The manufacturer's guarantee only applies if the bicycle is registered to the first buyer at www.scott-sports.com within ten days of purchase.

DURATION

The manufacturer's guarantee is granted from the date of purchase for a period of five years on bicycle frames and rear ends. The guarantee period is reduced to three years, if the SCOTT bicycle is not serviced at least once a year by an authorized SCOTT dealer. Maintenance services must be carried out in accordance with the maintenance instructions in the SCOTT manual and must be confirmed there by the stamp and signature of the authorized SCOTT dealer.

For frames and rear ends of Category 5 bicycle models and for rigid forks manufactured by SCOTT, the duration of the manufacturer's guarantee is limited to two years.

If a defect on the SCOTT bicycle is remedied within the scope of a manufacturer's guarantee or a warranty claim, the duration of the manufacturer's guarantee is not extended. The manufacturer's guarantee ends, when the first-time buyer transfers ownership of the SCOTT bicycle to a third person.

ASSERTION

The manufacturer's guarantee is provided by SCOTT Sports SA, Route du Crochet 11, 1762 Givisiez, Switzerland. The buyer must inspect the SCOTT bicycle immediately after purchase and notify his authorized SCOTT dealer at once in writing of any obvious defects. Hidden defects must be reported immediately after their discovery. In the event of a guarantee claim, the SCOTT bicycle must be handed over to an authorized SCOTT dealer. The latter will contact SCOTT to remedy the defect. The assertion of a guarantee claim always requires the presentation of the original proof of purchase as well as the proof of maintenance service in the SCOTT manual.

Performance of SCOTT in the event of a guarantee claim

In the event of a guarantee claim, SCOTT will, at its own discretion, repair the defect or replace the defective product with a product of similar quality, whereby colour and model deviations are possible. If a repair or replacement is not possible, a purchase price refund will be made taking into account previous use. SCOTT is entitled to commission third parties to remedy the defect.

LIMITATIONS

The manufacturer's guarantee applies exclusively to frames, swingarms and rigid forks of SCOTT bicycles. Bicycle components are excluded from this manufacturer's guarantee.

The manufacturer's guarantee does not apply to normal wear and tear, damage caused by accidents or other excessive force on the SCOTT bicycle, corrosion, improper maintenance, incorrect assembly and assembly of unsuitable components or accessories as well as cosmetic defects, for example in the varnish.

The manufacturer's guarantee does not apply to SCOTT bicycles that have been used in a rental shop.

MISCELLANEOUS

These manufacturer's guarantee provisions apply to all SCOTT bicycles as of model year 2023. Statutory warranty rights of the buyer and guarantees of component manufacturers (Shimano, SRAM etc.) remain unaffected by this manufacturer's guarantee.

The place of jurisdiction for all disputes in connection with this manufacturer's guarantee is Freiburg, Switzerland. This manufacturer's guarantee is subject to Swiss law to the exclusion of all legislation that refers to foreign law.



The image shows a 'SCOTT Bike Warranty Periods' table. It has a header row with columns for 'Year 1', 'Year 2', 'Year 3', 'Year 4', and 'Year 5'. Below the header, there are two rows of data. The first row is for 'SCOTT Bikes' and the second row is for 'Gambler, Voltage FR, Volt-X'. Both rows have shaded cells under all five year columns, indicating a 5-year warranty. Below the table, there is a section for 'Regular Warranty Period' with a blank line, and a note: 'Option for prolongation according to maintenance intervals shown in manuals attached to bikes'.

	Year 1	Year 2	Year 3	Year 4	Year 5
SCOTT Bikes					
Gambler, Voltage FR, Volt-X					

Regular Warranty Period _____

Option for prolongation according to maintenance intervals shown in manuals attached to bikes



© SCOTT Sports SA 2023. All rights reserved.
The information contained in this manual is in various languages
but only the English version will be relevant in case of conflict.

P.E.D Zone C1, Rue Du Kiell 60 | 6790 Aubange | Belgium
Distribution: SSG (Europe) Distribution Center SA
SCOTT Sports SA | 11 Route du Crochet | 1762 Givisiez | 2022 SCOTT Sports SA www.scott-sports.com Email:
webmaster.marketing@scott-sports.com