



**OWNER'S
MANUAL
YETI
SB115**



TABLE OF CONTENTS

BRAND OVERVIEW	03
FRAME FEATURES	05
GEOMETRY	07
MAINTENANCE SCHEDULE	09
<i>TECHNICAL</i>	
EXPLODED VIEWS	11
ASSEMBLY OVERVIEW	15
REBUILD KITS	21
<i>LEGAL</i>	
WARRANTY	25
CONTACT INFORMATION	26

CONGRATULATIONS ON YOUR PURCHASE OF A NEW YETI. WELCOME TO THE TRIBE.

We are confident your new bicycle will exceed your expectations for value, performance, and ride quality. Each frameset and component has been custom specified and designed to enhance your riding experience. Whether you are a beginner cyclist, or a seasoned pro, your Yeti bicycle will provide endless hours of two-wheeled fun.

This model specific manual is designed to be used in conjunction with the general Yeti Owner's Manual and the manuals supplied by the suspension manufacturers. If you did not receive the Yeti owner's manual or the manual provided by the suspension manufacturer, download the materials off the Internet, or contact your local dealer.

Bicycling can be a hazardous activity even under the best of circumstances. Proper maintenance of your bicycle is your responsibility and when done properly helps reduce the risk of injury and damage to your bicycle.

Warning: Make sure you review and understand the warnings, instructions, and content of this manual and accompanying manuals for your bicycle.

Warning: Technological advances have made bicycles and bicycle components more complex and the pace of innovation is increasing. It is impossible for this manual or the accompanying manuals to provide all the information required to properly repair and/or maintain your bicycle. In order to help minimize the chances of an injury, it is critical for you to have work performed by an authorized Yeti retailer.

This manual outlines basic setup and maintenance recommendations of your new Yeti. Because it is impossible to anticipate every situation or condition that may occur during the assembly, setup, and maintenance of your bicycle, Yeti recommends that all service and repairs be performed by your local authorized Yeti Dealer.

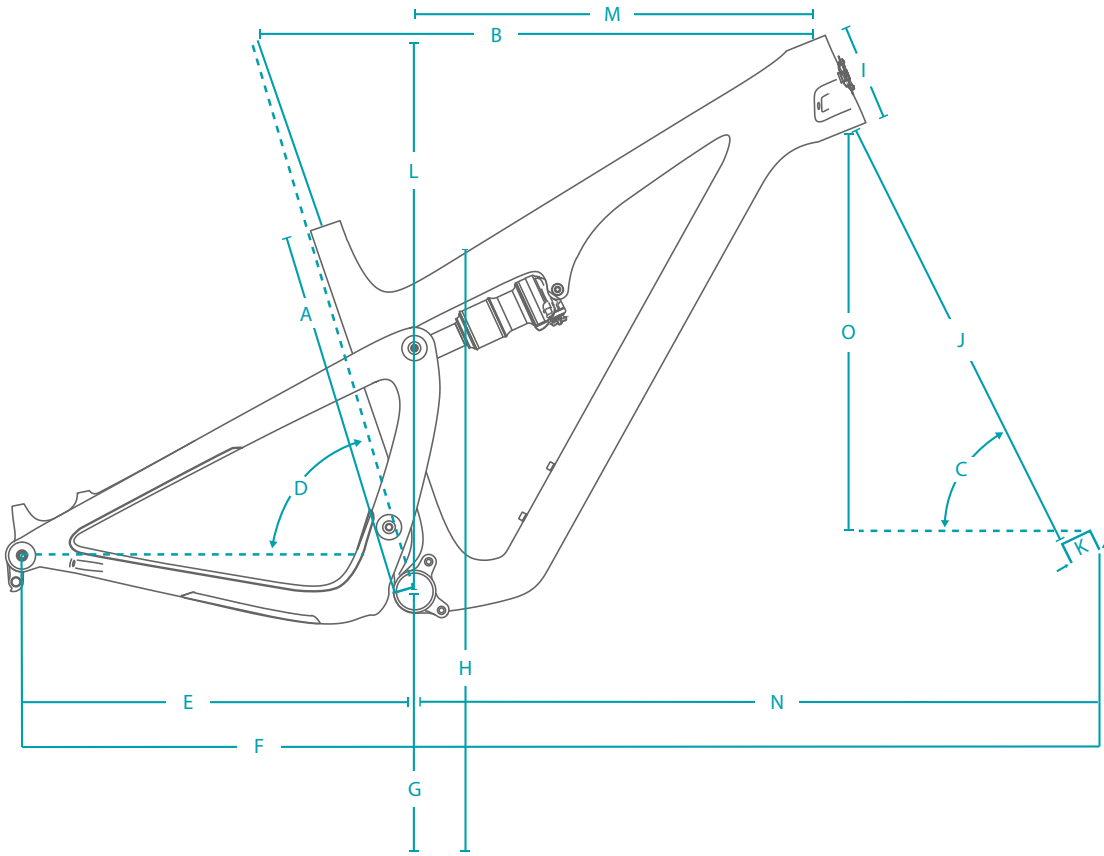
This manual contains many "Warnings" and "Cautions" concerning the consequences of failure to maintain or inspect your bicycle. The word "Warning" indicates a potentially hazardous situation in which, if not avoided, could result in serious injury or death. The word "Caution" indicates a potentially hazardous situation in which, if not avoided may result in minor injuries or damage to your bicycle or a component of your bicycle. Be sure to read and understand all of the Warnings and Cautions listed in the manual.

THE LOWDOWN ON THE SB115 AND ITS FEATURES.

1. PATENTED SWITCH INFINITY SUSPENSION SYSTEM REDESIGNED FOR 115MM OF TRAVEL
2. HIGH MODULUS CARBON FIBER MAIN FRAME AND SWING ARM
3. INTEGRATED 2-BOLT ISCG-05 MOUNTS
4. INTEGRATED 41MM / 52MM TAPERED HEADTUBE
5. CUSTOM DOWN TUBE PROTECTOR AND CHAIN GUARDS
6. INTERNALLY MOLDED CARBON TUBES FOR HASSLE-FREE CABLE ROUTING AND A QUIET BIKE
7. INTEGRATED AXLE AND DERAILLEUR HANGER SYSTEM
8. BOOST HUB SPACING, FRONT AND REAR
9. CUSTOM SWITCH INFINITY FENDER
10. CLEARANCE FOR STANDARD SIZED WATER BOTTLE INSIDE MAIN FRAME
11. UNINTERRUPTED SEAT TUBE FOR COMPATIBILITY WITH LONGER TRAVELED DROPPER POSTS

1. Our patented Switch Infinity Technology system has been redesigned to deliver 115mm of travel for this short travel frame and provide smooth and continuous pedaling performance when the going gets rough.
2. Cutting-edge, high modulus carbon is hand laid to create our Turq Series frames. That same stiffness and efficiency can also be found in our Carbon Series frame sets.
3. The SB115 does away with the front derailleur mount, making it a 1x drive specific frame.
4. 2-bolt ISCG 05 chain guide mounts are there for you in case you need extra drivetrain security for rowdy sections.
5. The SB115 is designed with an integrated 41mm/52mm tapered headset. The headset bearings are contained inside of the head tube for a lower ride height, simplified installation, and increased stiffness.
6. The SB115 is fitted with a 190 x 45 mm Float DPS by Fox Racing Shox.
7. Custom seatstay, chainstay and down tube guards keep the ride quiet while protecting the frame.
8. The SB115 features internally molded cable routing tubes, making the bike quiet and clean looking while reducing cable rub and overall maintenance.
9. Dedicated 12 x 148 Boost dropouts and integrated hanger with axle threads provide strength, stiffness and easy hanger, and wheel installation.

GEOMETRY



FOX 34 / 130MM FORK

	SM	MD	LG	XL
A SEAT TUBE LENGTH	393	419	457	495
B EFF. TOP TUBE LENGTH	577.3	605.7	630.9	657.8
C HEAD TUBE ANGLE	67.6	67.6	67.6	67.7
D EFF. SEAT TUBE ANGLE	74.1	74.1	74.0	73.9
E CHAINSTAY LENGTH	436.7	436.7	436.7	436.7
F WHEELBASE	1125.5	1154.5	1180.6	1208.6
G EST. BB HEIGHT	339.5	339.4	339.3	339.2
H STANDOVER	731.8	731.1	731.3	732.1
I HEAD TUBE LENGTH	96.2	107.0	123.2	144.7
J AXLE TO CROWN	540	540	540	540
K FORK OFFSET	44	44	44	44
L STACK	603.0	613.1	628.2	648.3
M REACH	405.5	430.6	450.6	470.5
N FRONT CENTER	688.8	717.8	743.3	771.9
O VERTICAL FORK TRAVEL	120.2	120.2	120.2	120.2

FIT

SMALL	5'1" (155 CM) - 5'7" (170 CM)
MEDIUM	5'5" (165 CM) - 5'11" (180 CM)
LARGE	5'10" (178 CM) - 6'3" (191 CM)
X-LARGE	6'1" (185 CM) - 6'7" (200 CM)

KEEP YOUR YETI FRESH AND CLEAN

OVERVIEW

Following these guidelines will help maintain the performance of your bicycle and prevent more serious problems from arising. It is important to remember that service intervals can vary depending on climate, trail conditions and riding frequency. If you are unsure about working on your own bicycle, contact your authorized Yeti Dealer for more information on general bicycle maintenance.

SCHEDULE	WEEKLY	MONTHLY	3 MONTHS	ANNUALLY
CLEAN AND LUBE CHAIN	■			
CHECK TIRE PRESSURE	■			
CLEAN BIKE OF MUD AND DEBRIS	■			
CHECK BRAKE FUNCTION	■			
CHECK SHOCK PRESSURE		■		
CHECK FOR LOOSE BOLTS AND TIGHTEN, IF NECESSARY		■		
CHECK HEADSET AND TIGHTEN / LOOSEN, IF NECESSARY		■		
THOROUGHLY CLEAN PIVOT POINTS WITH A RAG (DO NOT LUBRICATE)		■		
LUBE INFINITY LINK EVERY 40 HRS. (YETI HEAVY MOLYBDENUM GREASE)		■		
CHECK / REPLACE BRAKE PADS			■	
CHECK TIRES FOR WEAR			■	
CHECK SPOKE TENSION. RETENTION, IF NECESSARY			■	
CHECK CHAIN FOR WEAR. REPLACE IF NECESSARY			■	
COMPLETE TUNE-UP PERFORMED BY AN AUTHORIZED YETI DEALER				■

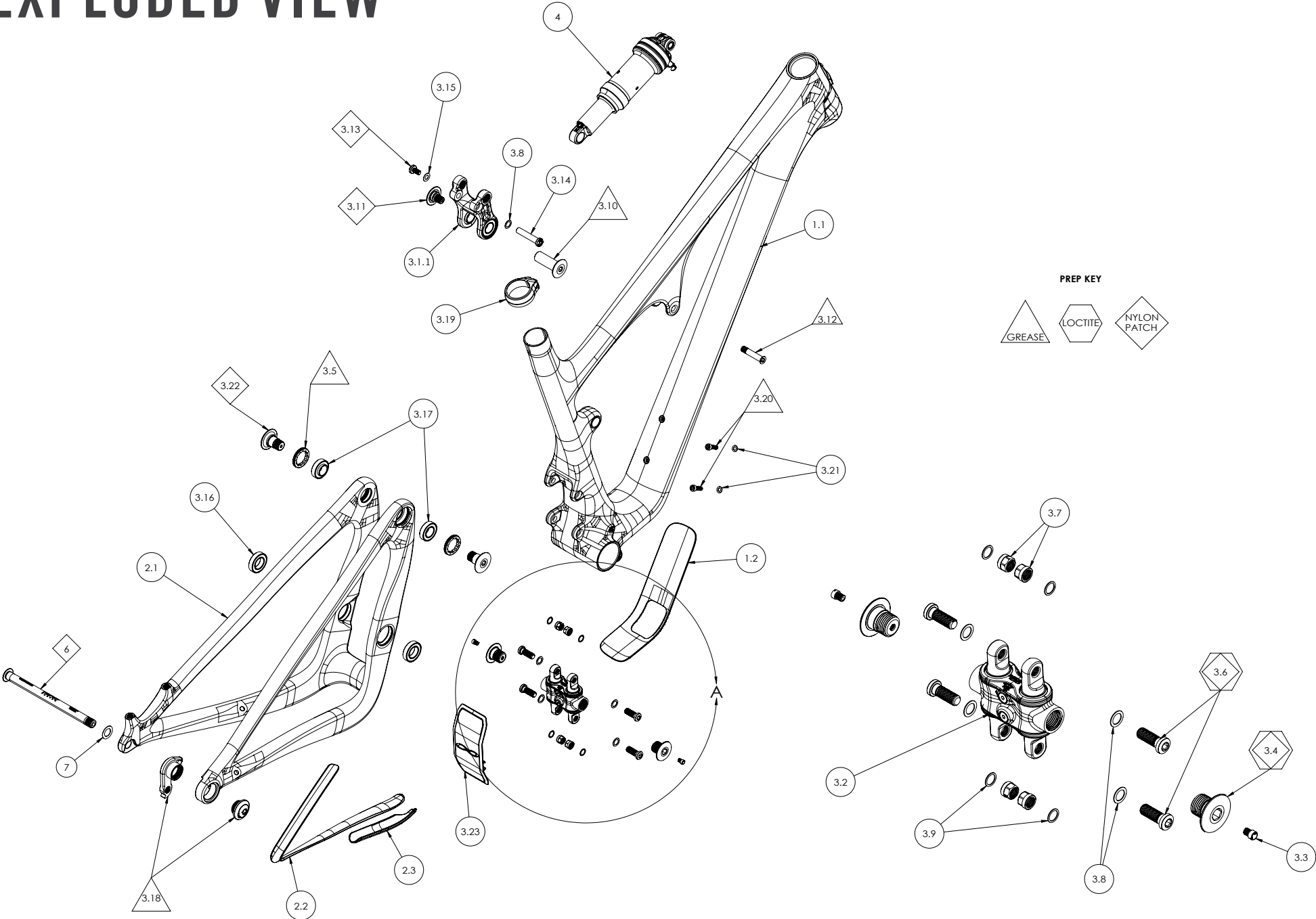
TORQUE

Yeti strongly recommends using a torque wrench when assembling your frame. Torque specifications for individual parts on the SB115 are listed below, as well as in the step by step assembly instructions later in the manual. For general bicycle maintenance please consult the torque specifications of the component you are adjusting.

KEY TORQUE SPECS

PART NUMBER	DESCRIPTION	TORQUE (NM)
300030293	LINK PIVOT HARDWARE, MALE, 15MM	15
300030157	SHOULDER BOLT, M8 X 1BH	20
300030295	SHOCK HARDWARE, ALLOY, FLAT HEAD	10
300030151	BOLT, TI MALE, M6 X 12.0MM	10
200020313	PIVOT HARDWARE, MAIN, 17MM PRMD HEAD	46
300030294	BOLT, SS PIVOT, 15MM	37
300060073	DER HANGER G3 ASSEMBLY	10

EXPLODED VIEW



EXPLODED VIEW PARTS LIST

ITEM#	PART #	DESCRIPTION	QTY
1	N/A	SB115 FRONT TRIANGLE ASSEMBLY	
1.1	N/A	SB115 FRONT TRIANGLE	1
1.2	400100173	SB100 DT PROTECTOR UPPER	1
1.3	300070006	YETI HEAD TUBE BADGE	1
2	N/A	SB115 REAR TRIANGLE ASSEMBLY	1
2.1	N/A	SB115 REAR TRIANGLE	1
2.2	400100174	SB100 CS-SS PROTECTOR	1
2.3	400100174	SB100 CS-LOWER PROTECTOR	1
3	N/A	SB115 SMALL PARTS ASSEMBLY	1
3.1	300020052	BEARING, 6902-2RS EXTENDED, 15X28X7/10	1
3.1.1	300040513	SB115 LINK	1
3.1.2	300050052	BEARING 6902-2RS EXTENDED, 15X28/7/10	2
3.2	200020355	SB115 G2 SWITCH INFINITY	1
3.3	200020314	SWITCH INFINITY G2 GREASE ZERK	2
3.4	200020313	PIVOT HARDWARE, MAIN, 17MM PRMD HEAD	2
3.5	200020311	LOCKRING, 6902-2RS	2
3.6	300030157	SHOULDER BOLT, M8 X 1BH	4
3.7	300030159	NUT, M8 X 1FH	4
3.8	300030069	WASHER 8.5 X 12.5 X 0.5MM	5
3.9	300030160	WASHER 8.2 X 10.6 X 0.5MM	4
3.10	300030292	STUD, LINK BEARING, FEMALE, 15MM	1
3.11	300030293	LINK PIVOT HARDWARE, MALE, 15MM	1
3.12	300030295	SHOCK HARDWARE, ALLOY, FLAT HEAD	1
3.13	300030151	BOLT, TI MALE, M6 X 12.0MM	1

ITEM#	PART #	DESCRIPTION	QTY
3.14	300030298	BOLT MASTER, TI FEMALE, 8 X 41	1
3.15	300030062	WASHER 6.5 X 12.5 X 0.5MM	1
3.16	300020001	BEARING, 6903-2RS, 17 X 30 X 7	2
3.17	300020052	BEARING, 6902-2RS EXTENDED, 15 X 28 X 7/10	2
3.18	300060073	DER HANGER G3 ASSEMBLY	1
3.19	300060072	SEAT CLAMP ASSEMBLY, YETI BOLT ON, 30.9	1
3.20	300030010	SHCS, M5 X 0.8, 16L	2
3.21	300030148	WASHER 5.1 X 8.9 X 1.0MM	2
3.22	300030294	BOLT, SS PIVOT, 15MM	2
3.23	400100194	SWITCH INFINITY FENDER, CLIP	1
4	N/A	ASSEMBLY, SB115 SHOCK	1
6	100425008	BOLT ON AXLE W/ WASHER, 171MM, M12 X 1.5	1

FRAME ASSEMBLY

YETI TIPS

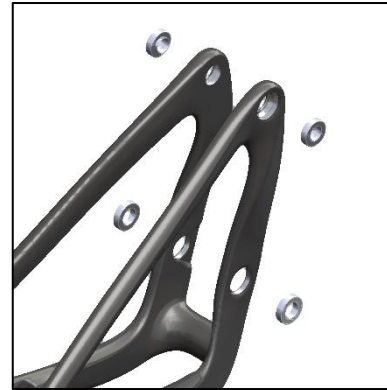
Make sure your tools are in good condition. A worn allen key can round the hex on a bolt not allowing for proper torque.

Torque settings are listed throughout the instructions and on page 10 of this manual. It is important to prep all bolt threads. The instructions denote whether to use a Loctite compound or grease. Reference Exploded View for assembly part locations listed in parentheses.

Warning: Service on Yeti bicycles requires special knowledge and tools. Yeti Cycles recommends that all service and repairs be performed by an authorized Yeti Dealer

TOOLS NEEDED

- 2.5mm allen key
- 5mm allen keys
- 6mm allen key
- 8mm allen key
- T25 allen key
- Guide pin tool (2)
- Torque wrench
- Cassette tool
- Flat head screw driver
- Grease
- Blue (243) Loctite



01

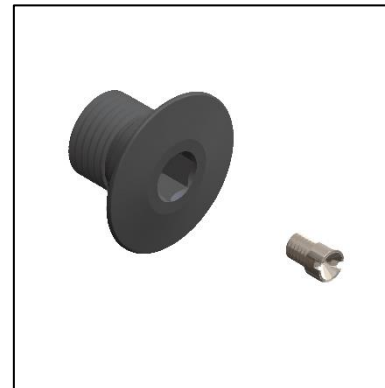
Press 2x 6902-2RS Extended Race bearings (3.17) into the seatstay pivots. Press 2x 6903 bearings (3.16) into the main pivots in the rear triangle.



02

Grease threads of 2x Bearing Lockrings (3.5) and install into the seatstay pivots on the rear triangle. Exercise caution to not cross-thread the lockring.

Torque: 20Nm



03

Install one Grease Zerk (3.3) into each Main Pivot Bolt (3.4) with a flat-head screwdriver. Zerk end should be flush with the end of the Main Pivot Bolt.

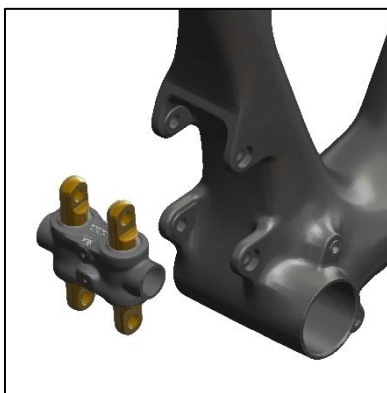


04

Grease 2x H20 Bolts (3.20) and install with washers (3.21) to Front Triangle.

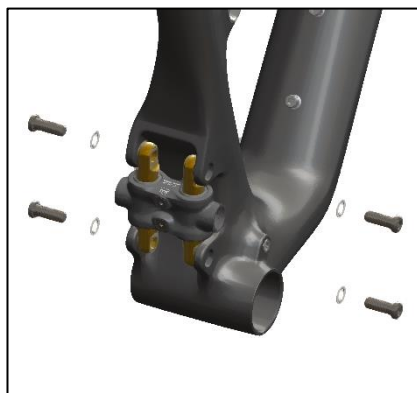
Torque: 4-5 Nm





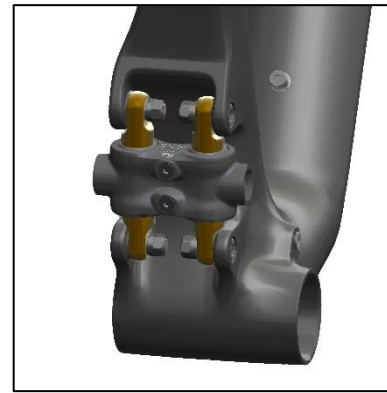
05

Set the Switch Infinity Link (3.2) into the frame. Make sure that the two access screws on the Switch Infinity body are facing outward.



06

Apply Blue Loctite 243 to the threads of 4x M8 Shoulder Bolts (3.6). Begin installing Shoulder Bolts with washers (3.8) through frame and into the Switch Infinity shaft threads. Do not fully tighten - install until 3-4 threads are visible past each Switch Infinity shaft.



09

Hold the Shoulder Bolts in place and tighten the Jam Nuts against the Switch Infinity shafts.

**Torque with crow's foot wrench:
10Nm**

If a crow's foot wrench is not available, tighten 1/8 - 1/4 turn after contact.

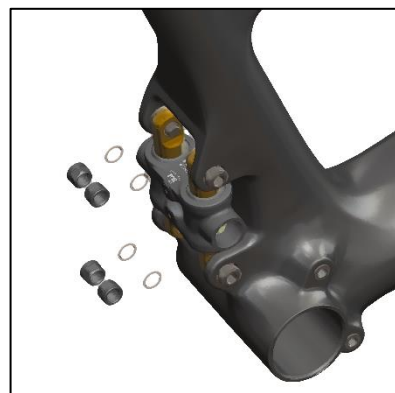


10

Apply a light coat of grease to the shaft of the Link Pivot Axle (3.10). Slide the SB115 Link (3.1) onto the Front Triangle and install the Link Pivot Axle.

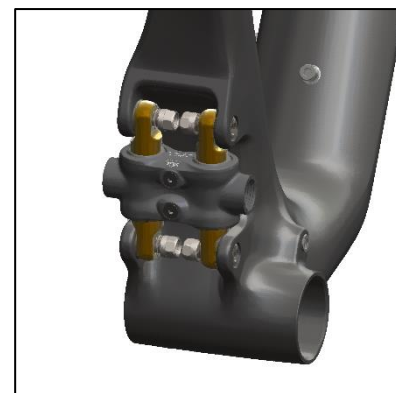
Apply Blue Loctite 243 to the threads of the Male Link Pivot Bolt (3.11) and install into Link Pivot Axle.

Torque: 15 Nm



07

Add another drop of Blue Loctite 243 to the exposed Shoulder Bolt threads. Install Washer (3.9) and Jam Nut (3.7) onto each M8 Shoulder Bolt. Do not fully tighten.



08

Using a wrench to hold the Jam Nuts in place, fully install each M8 Shoulder Bolt until snug.

Torque: 20 Nm



11

Install the rear shock eyelet into the link and secure with a guide pin.

Apply grease to the head of the front Shock Bolt (3.12) and Blue Loctite 243 to threads.

Install front Shock Bolt into the Front Triangle. **Torque: 10 Nm**



12

Install 41mm Female Bolt (3.14) with Washer (3.8) through SB115 Link and rear shock eyelet.

Apply Blue Loctite 243 to threads of M6 Male Bolt (3.13). Install bolt and washer (3.15).

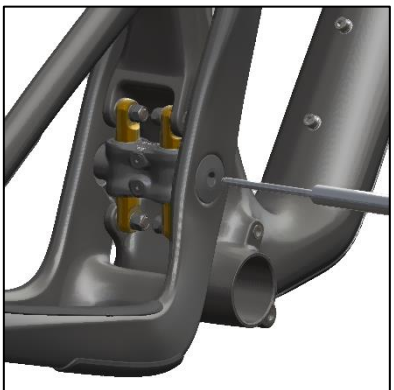
Torque: 10 Nm



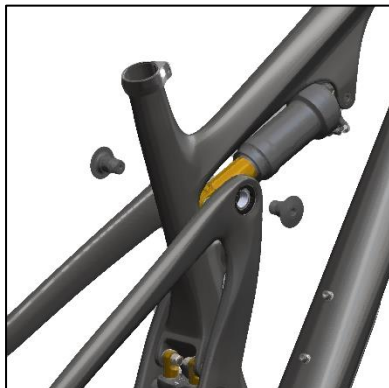
13
Apply Blue Loctite 243 to the threads of the Main Pivot Bolt (3.4).

Slide Rear Triangle over the main pivot onto the Switch Infinity Link. Secure with 2x Main Pivot Bolt.

Torque: 46 Nm



15
With a needle-type grease gun, fill Switch Infinity grease into the Main Pivot Grease Zerks until a small amount of grease is purged through the Switch Infinity seals. Clean off any excess grease with a clean cloth or rag.



14
Apply Blue Loctite 243 to the threads of the Seatstay Pivot Bolts (3.22). Install through the Rear Triangle and into the SB115 Link.

Torque: 37 Nm



16
Clip the Switch Infinity Fender (3.23) onto the four Jam Nuts. Orient Fender so the small raised lip on the backside is at the top.



17
Apply grease to the outside circumference of the Derailleur Hanger (3.18). Apply Blue Loctite 243 to the Hanger Cap threads. Install onto the Rear Triangle. Hanger threads are REVERSE THREADED.

Torque: 10 Nm

DISASSEMBLY NOTES: if removing the Switch Infinity mechanism from the frame, loosen the 4x Jam Nuts before removing the Shoulder Bolts attaching it to the frame. Failure to loosen Jam Nuts could result in damage to frame or hardware.

FRAME ASSEMBLY IS COMPLETE.

REBUILD KITS

PART #	DESCRIPTION	QTY
200020365	SB115 MASTER REBUILD KIT	
200020311	LOCKRING, SS PIVOT	2
200020313	PIVOT HARDWARE, MAIN, 17MM PYRAMID HEAD 2	2
200020314	SWITCH INFINITY G2 GREASE ZERK, FOX	2
300020001	BEARING 6903 MAX	2
300020052	BEARING 6902 LLU MAX-E	4
300030062	WASHER 6.5 X 12.5 X 0.5 MM	1
300030069	WASHER 8.5 X 12.5 X 0.5 MM	5
300030151	BOLT, TI MALE, M6 X 12.0 MM	1
300030157	SHOULDER BOLT, M8 X 1 BH	4
300030159	NUT, M8 X 1 FH, CrMo	4
300030160	WASHER 8.2 X 10.6 X 0.5 MM	4
300030292	STUD, LINK BEARING, FEMALE 15MM, PYRAMID	1
300030293	LINK PIVOT HARDWARE, MALE, 15MM PRYMD HEAD	1
300030294	BOLT, SS PIVOT, 15MM	2
300030295	SHOCK HARDWARE, ALLOY, FLAT	1
300030298	BOLT MASTER, TI FEMALE, 8 X 41	1
400100194	SWITCH INFINITY FENDER, CLIP	1
200020317	SB115 BEARING REBUILD KIT	
300020001	BEARING 6903MAX	2
300020052	BEARING 6902 LLU MAX-E	4
200020367	FOX LINEAR BEARING G3 KIT SB115 2021-PRESENT	
200020356	FOX LINEAR BEARING G2	1
300030157	SHOULDER BOLT, M8 X 1 BH	4
300030159	NUT, M8 X 1 FH, CrMo	4
300030069	WASHER 8.5 X 12.5 X 0.5 MM	4
300030160	WASHER 8.2 X 10.6 X 0.5 MM	4

PART #	DESCRIPTION	QTY
200020366	SB115 HARDWARE REBUILD KIT	
200020311	LOCKRING, SS PIVOT	2
200020313	PIVOT HARDWARE, MAIN, 17MM PYRAMID HEAD 2	2
200020314	GREASE ZERK, FOX	2
300030062	WASHER 6.5 X 12.5 X 0.5 MM	1
300030069	WASHER 8.5 X 12.5 X 0.5 MM	5
300030151	BOLT, TI MALE, M6 X 12.0 MM	1
300030157	SHOULDER BOLT, M8 X 1 BH	4
300030159	NUT, M8 X 1 FH, CrMo	4
300030160	WASHER 8.2 X 10.6 X 0.5 MM	4
300030292	STUD, LINK BEARING, FEMALE 15MM, PYRAMID	1
300030293	LINK PIVOT HARDWARE, MALE, 15MM PRYMD HEAD	1
300030294	BOLT, SS PIVOT, 15MM	2
300030295	SHOCK HARDWARE, ALLOY, FLAT	1
300030298	BOLT MASTER, TI FEMALE, 8 X 41	1
400100194	SWITCH INFINITY FENDER, CLIP	1
400100147	SB115 PROTECTOR KIT	
400100173	SB115 DT PROTECTOR	1
400100174	SB115 CS/SS PROTECTOR	1
400100175	SB115 CS LOWER PROTECTOR	1
200020357	SB115 ALLOY LINK W/ BEARING	
300020052	BEARING 6902 LLU MAX-E	2
300040513	SB115 ALLOY LINK NO BEARING	1
400100179	SB115 PROTECTOR SHEET - GLOSS	1
400100180	SB115 PROTECTOR SHEET - MATTE	1
400100194	FENDER, SWITCH INFINITY INT CLIP	1

FOX TRANSFER POST INSERTION GUIDE

MEASURE FROM TOP OF SEAT TUBE TO BOTTOM OF DROPPER POST AS SHOWN BELOW (MEASUREMENTS IN MM)

		FOX TRANSFER POST SIZE		
		125	150	175
FRAME SIZE	SM	202	232	264
	MD	228	258	290
	LG	228	258	290
	XL	228	258	290

MAX INSERTION (X)

NOTE: Saddle centered on straight length of rails.

LIFETIME WARRANTY

HERE'S EVERYTHING YOU NEED TO KNOW ABOUT OUR LIFETIME WARRANTY:

All 2019 (or newer) frames, including the Switch Infinity, are covered for life against damage due to manufacturing defects for the original purchaser. Paint and finish are covered for 1-year. We will repair or replace, at our discretion, any frame we deem defective. There are a few conditions: you must register it online at yeticycles.com and you must take it to an authorized Yeti Cycles dealer for processing. Warranty does not cover damage due to ordinary wear and tear, neglect or intentional destruction. From a slingshot or your truck.

If you happen to have a crash or non-warranty situation, we'll get you back on the trail with a reasonable replacement price. Same conditions as above.

Lifetime Warranty applies to all 2019 and newer frames (including the SB100). Model year 2018 and older frames will be covered under our previous warranty (5-year or 2-year based on time of purchase).

Simple as that. No fine print.

DISCLAIMER

YETI Cycles is not responsible for any damages to you or others arising from riding, transporting or other use of your bicycle. In the event that your frame breaks or malfunctions, YETI Cycles shall have no liability or obligation beyond the repair or replacement of your frame pursuant to the terms outlined in the warranty.

**If you have a warranty concern, please contact your authorized Yeti dealer.*

YETI CYCLES

621 Corporate Circle, Unit
B Golden, CO 80401
(p) 303-278-6909
(f) 303-278-6906
www.yeticycles.com

BUSINESS HOURS

Monday-Friday
8AM-11:30AM,
1:00PM-5:30PM (Mountain
Time)