



2023 SCOTT
SOLACE eRIDE ROAD
& GRAVEL MANUAL

CONTENT

THE SOLACE eRIDE SHOULD BE ADJUSTED EXACTLY TO THE RIDER FOR MAXIMUM SAFETY AND RIDEABILITY.

Please contact your authorized SCOTT dealer for advice in order to avoid technical problems or any harm.

GEOMETRY & TECHNICAL DATA	03
TQ SYSTEM MANUALS	04
CABLE ROUTING	05
SPARE PARTS	06
MANUFACTURE'S GUARANTEE	09

LEGEND



TORQUE REQUIRED



NO GREASE REQUIRED



GREASE REQUIRED



CARBON GREASE REQUIRED



THREADLOC REQUIRED



BEARING FIT REQUIRED



TORX TOOL SIZE



TORQUE AMOUNT

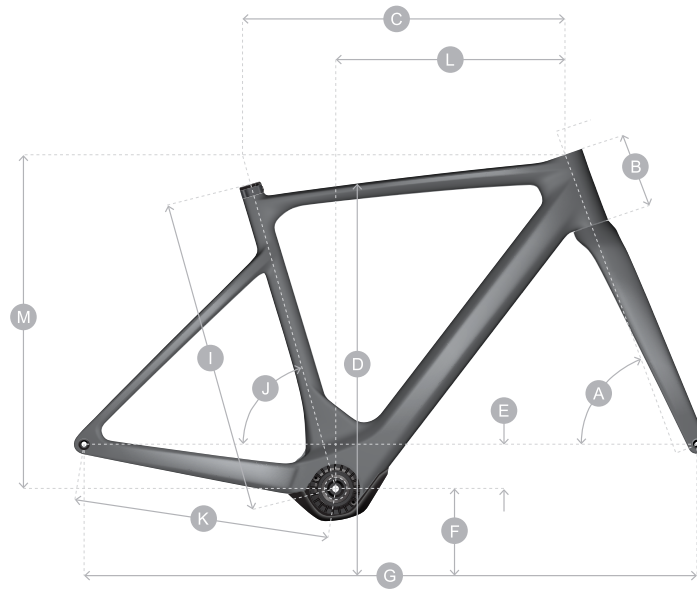


TASK DIFFICULTY



HEX TOOL SIZE

GEOMETRY & TECHNICAL DATA



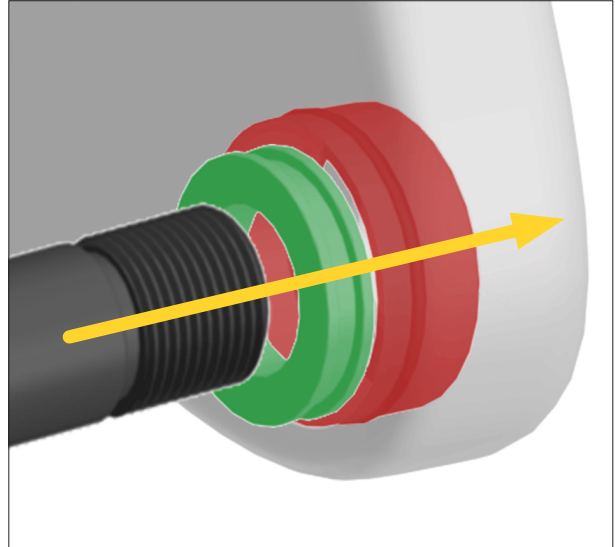
SEATPOST	Syncros Duncan D-Shape SL	FORK STEERER	in 11/4 - 11/2
SEATPOST CLAMP	Addict RC Seatpost Clamp	MAX/MIN FRONT ROTOR	mm 180/160
HEADSET	mm IS52/31.8 IS52/40	MAX/MIN REAR ROTOR	mm 160/140
REAR AXLE	mm 142		
FRONT AXLE	mm 100		
MAX TYRE WIDTH	mm 50 Gravel/50 Road		

	MY23 SOLACE eRIDE		XS49	S52	M54	L56	XL58
A	Head tube angle	°	69.5	70	71	71	71
B	Head tube length	mm	85	110	128	154	175
C	Top tube horizontal	mm	518	534.2	554.5	578.4	592.5
D	standover height	mm	759	785	803	824	841
E	BB offset	mm	76	76	76	76	76
F	BB height Road	mm	283	283	283	283	283
	BB height Gravel	mm	294	294	294	294	294
G	Wheelbase	mm	1021.5	1030.1	1036.8	1056.2	1071.1
I	BB center to TST	mm	477	507	527	547	567
J	Seat angle	°	74.5	74	73.5	73	73
K	Chainstay	mm	435	435	435	435	435
L	Reach	mm	374	378	387	398	406
M	Stack	mm	519.3	544.7	565.6	590.2	610
	Fork Length	mm	406	406	406	406	406
	Fork Rake	mm	50	50	50	50	50

SOLACE eRIDE

GEOMETRY & TECHNICAL DATA

When removing and re-attaching the rear wheel to the frame make sure the non drive side dropout has both the indicated parts correctly positioned inside the dropout before inserting the rear axle.



TQ SYSTEM MANUALS



Charger Manual



Motor Manual



Battery Manual



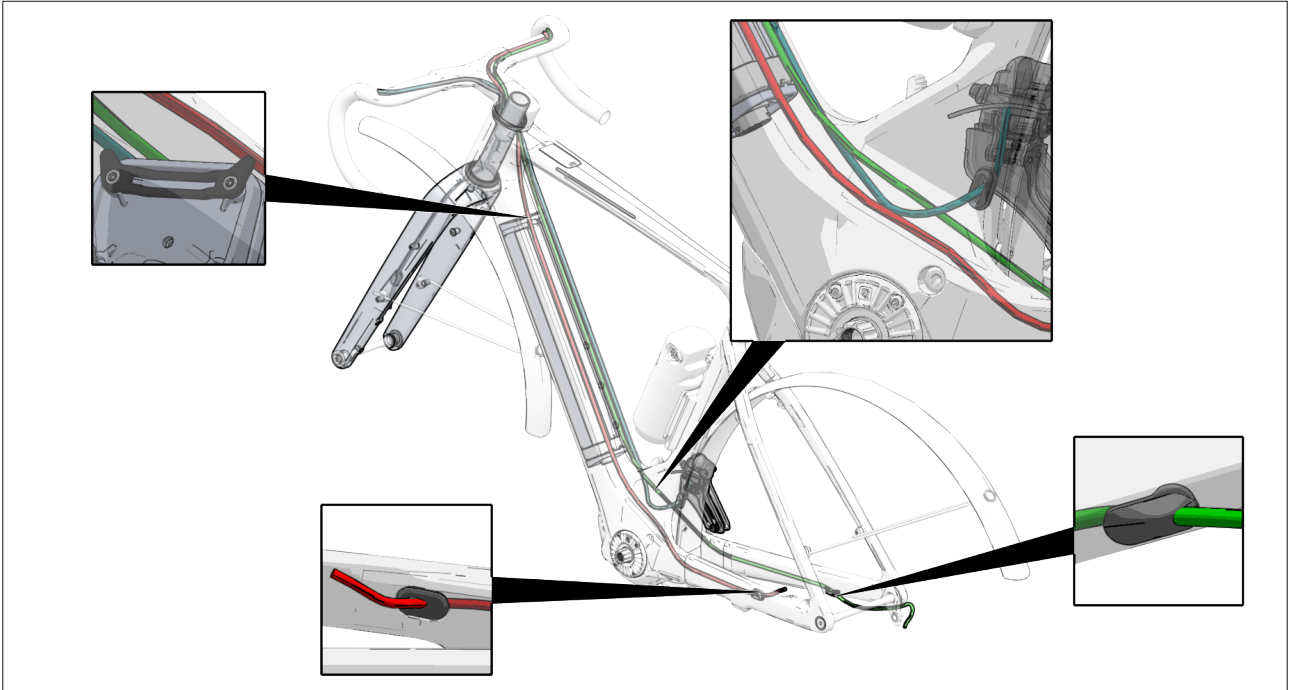
Display Manual



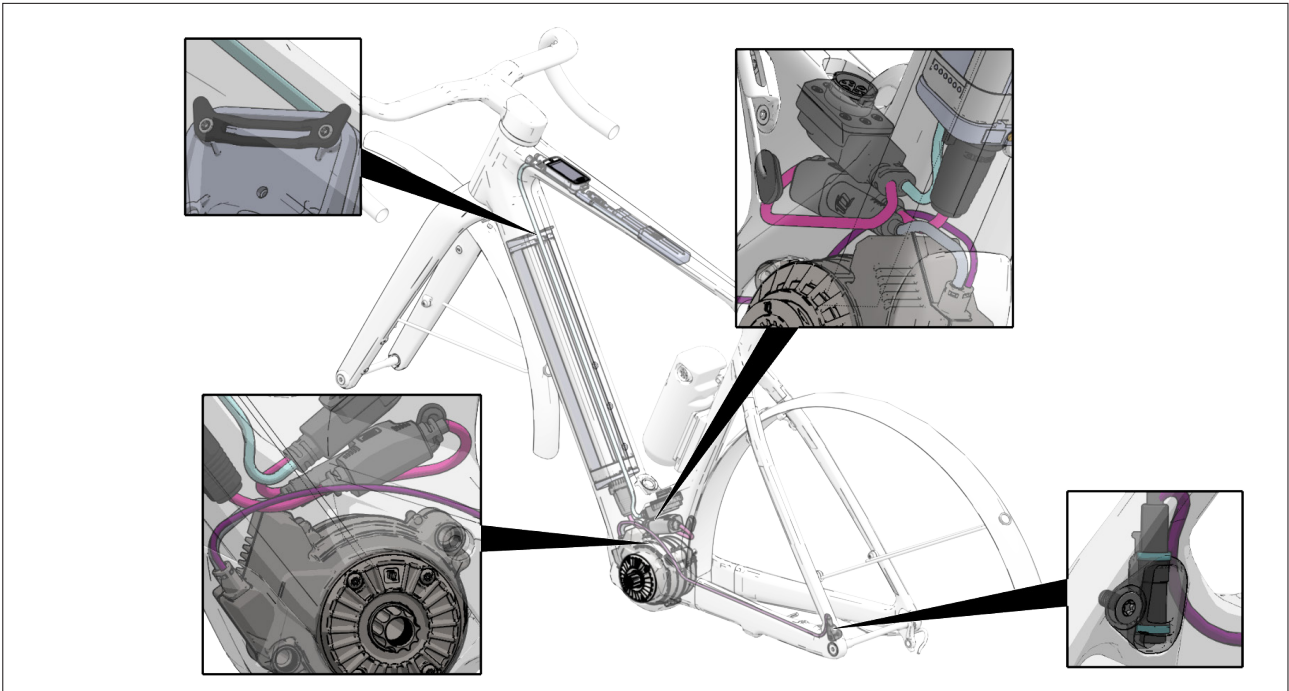
Range Extender Manual

SOLACE eRIDE

CABLE ROUTING



Mechanical



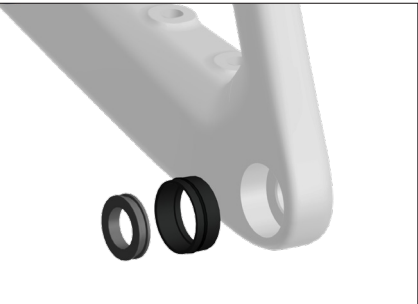
TQ System

SOLACE eRIDE

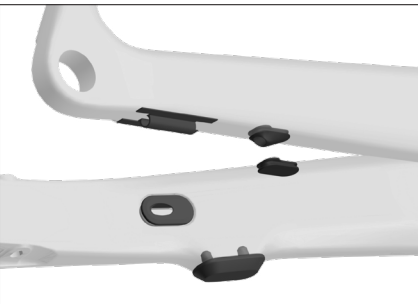
SPARE PARTS



297262 SCO eRIDE FD MOUNT & BLANK SOLACE 23



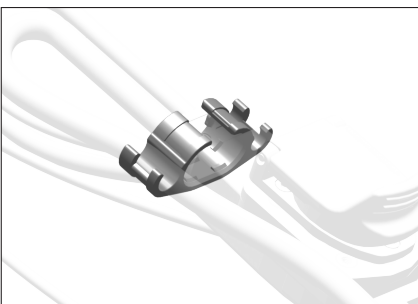
297135 SCO eRIDE TQ INTERNAL CABLE GUIDE 23



297667 SCO ERIDE CABLE GUIDES C-STAY SOLACE 23



**297521 SCO HEADSET TOP CAP CRESTON 23
288249 SYN HEADSET IS52/31.8 - IS52/42**



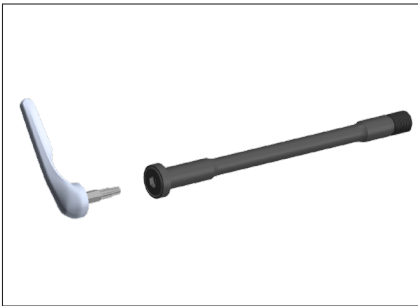
297516 SCO eRIDE INTERNAL CABLEGUIDE 23

SOLACE eRIDE

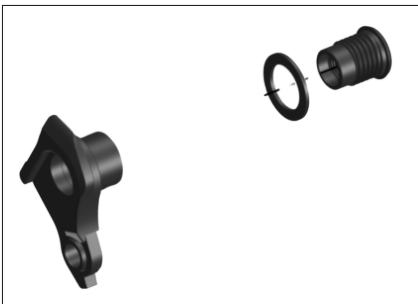
SPARE PARTS CONT.



277543 SCO SEATCLAMP ADDICT RC 20



277028 SCO AXLE FRONT ADDICT RC/PLASMA 6 TP 20
419858 SCO AXLE SOLACE R 23



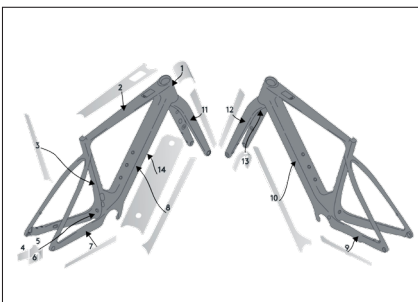
286000 SCO DROPOUT SRAM UDH 21



Reverse Thread



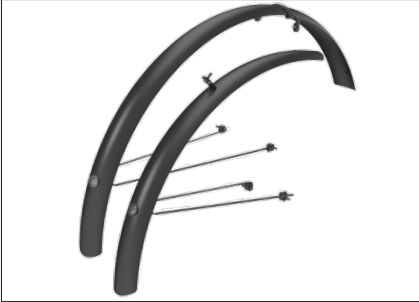
297263 SCO eRIDE MOTOR COVER SOLACE 23



296623 SYN FRAME PROTECTION KIT SOLACE eRIDE
420008 SCO SOLACE eRIDE CHAINSTAY PROTECTOR
420009 SCO SOLACE eRIDE CHAINSTAY PROTECT.PLATE

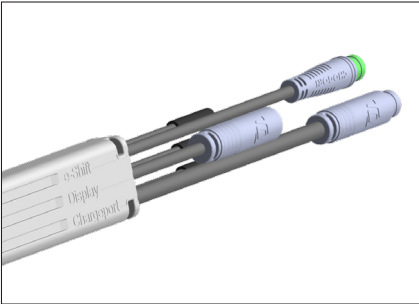
SOLACE eRIDE

SPARE PARTS CONT.



292915 SYN FENDER SET SOLACE GRAVEL eRIDE

292914 SYN FENDER SET SOLACE ROAD eRIDE



296220 SCO eRIDE TQ SMART BOX 23



296217 SCO eRIDE TQ LOCKRING SET 23



294533 SYN KICKSTAND ROAD eRIDE TQ 2 BOLT



294537 SCO eRIDE TQ RANGE EXTENDER

294539 SCO eRIDE TQ RANGE EXT. CABLE ROAD/GR

294540 SCO eRIDE TQ RANGER EXTENDER HOLDER

MANUFACTURER'S GUARANTEE,

When purchasing a new SCOTT bicycle from an authorized SCOTT dealer, SCOTT grants a manufacturer's guarantee subject to the following provisions.

CONDITIONS

The manufacturer's guarantee is only granted to the first-time buyer of a SCOTT bicycle who has purchased it from an authorized SCOTT dealer. The manufacturer's guarantee only applies if the bicycle is registered to the first buyer at www.scott-sports.com within ten days of purchase.

DURATION

The manufacturer's guarantee is granted from the date of purchase for a period of five years on bicycle frames and rear ends. The guarantee period is reduced to three years, if the SCOTT bicycle is not serviced at least once a year by an authorized SCOTT dealer. Maintenance services must be carried out in accordance with the maintenance instructions in the SCOTT manual and must be confirmed there by the stamp and signature of the authorized SCOTT dealer.

For frames and rear ends of Category 5 bicycle models and for rigid forks manufactured by SCOTT, the duration of the manufacturer's guarantee is limited to two years.

If a defect on the SCOTT bicycle is remedied within the scope of a manufacturer's guarantee or a warranty claim, the duration of the manufacturer's guarantee is not extended. The manufacturer's guarantee ends, when the first-time buyer transfers ownership of the SCOTT bicycle to a third person.

ASSERTION

The manufacturer's guarantee is provided by SCOTT Sports SA, Route du Crochet 11, 1762 Givisiez, Switzerland. The buyer must inspect the SCOTT bicycle immediately after purchase and notify his authorized SCOTT dealer at once in writing of any obvious defects. Hidden defects must be reported immediately after their discovery. In the event of a guarantee claim, the SCOTT bicycle must be handed over to an authorized SCOTT dealer. The latter will contact SCOTT to remedy the defect. The assertion of a guarantee claim always requires the presentation of the original proof of purchase as well as the proof of maintenance service in the SCOTT manual.

Performance of SCOTT in the event of a guarantee claim

In the event of a guarantee claim, SCOTT will, at its own discretion, repair the defect or replace the defective product with a product of similar quality, whereby colour and model deviations are possible. If a repair or replacement is not possible, a purchase price refund will be made taking into account previous use. SCOTT is entitled to commission third parties to remedy the defect.

LIMITATIONS

The manufacturer's guarantee applies exclusively to frames, swingarms and rigid forks of SCOTT bicycles. Bicycle components are excluded from this manufacturer's guarantee.

The manufacturer's guarantee does not apply to normal wear and tear, damage caused by accidents or other excessive force on the SCOTT bicycle, corrosion, improper maintenance, incorrect assembly and assembly of unsuitable components or accessories as well as cosmetic defects, for example in the varnish.

The manufacturer's guarantee does not apply to SCOTT bicycles that have been used in a rental shop.

MISCELLANEOUS

These manufacturer's guarantee provisions apply to all SCOTT bicycles as of model year 2023. Statutory warranty rights of the buyer and guarantees of component manufacturers (Shimano, SRAM etc.) remain unaffected by this manufacturer's guarantee.

The place of jurisdiction for all disputes in connection with this manufacturer's guarantee is Freiburg, Switzerland. This manufacturer's guarantee is subject to Swiss law to the exclusion of all legislation that refers to foreign law.



The image shows a 'SCOTT Bike Warranty Periods' table. It has a header row with columns for 'Year 1', 'Year 2', 'Year 3', 'Year 4', and 'Year 5'. Below the header, there are two rows of data. The first row is for 'SCOTT Bikes' and the second row is for 'Gambler, Voltage FR, Volt-X'. Both rows have shaded cells under all five year columns, indicating a 5-year warranty. Below the table, there is a section for 'Regular Warranty Period' with a blank line, and a note: 'Option for prolongation according to maintenance intervals shown in manuals attached to bikes'.

	Year 1	Year 2	Year 3	Year 4	Year 5
SCOTT Bikes					
Gambler, Voltage FR, Volt-X					

Regular Warranty Period _____

Option for prolongation according to maintenance intervals shown in manuals attached to bikes



© SCOTT Sports SA 2023. All rights reserved.
The information contained in this manual is in various languages
but only the English version will be relevant in case of conflict.

P.E.D Zone C1, Rue Du Kiell 60 | 6790 Aubange | Belgium Distribution: SSG (Europe) Distribution Center SA
SCOTT Sports SA | 11 Route du Crochet | 1762 Givisiez | 2022 SCOTT Sports SA www.scott-sports.com Email:
webmaster.marketing@scott-sports.com